

**NOTE:** All units are in millimeters unless otherwise indicated.

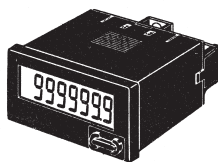
## H7EC-N MINIATURE TOTALISING COUNTER

### FEATURES:

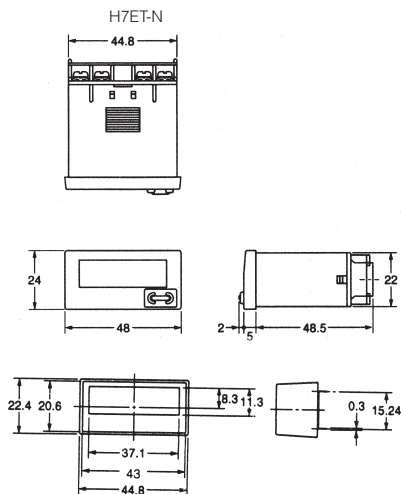
- Sub-miniature (1/32 DIN size) 48 x 24mm
- Choose black or ivory body (front panel mounting models only)
- Large, 8-digit LCD (8.6mm digit height)
- AC, DC and No-voltage input types available
- Panel mount type has user-replaceable lithium cell
- Optional 28-pin socket for PCB mount type
- Backlight function on "-H" models (use separate 24VDC power)
- Front panel "Reset" key may be disabled

Cat. No.	Reset	Count Speed	Count Input	Net Price
<b>PANEL MOUNT, SELF-POWERED</b>				
H7EC-N	Electrical/Manual	30Hz/1kHz	No-voltage	<b>\$82.00</b>
H7EC-NV	Electrical/Manual	30Hz/1kHz	DC-voltage	<b>82.00</b>
H7EC-NV-H	Electrical/Manual	30Hz/1kHz	DC-voltage	<b>88.00</b>
H7EC-NFV	Electrical/Manual	20Hz	AC/DC voltage	<b>102.00</b>
<b>PCB MOUNT</b>				
H7EC-NP	Electrical	30Hz/1kHz	No-voltage	<b>57.00</b>
H7EC-NLP	Electrical	30Hz/1kHz	No-voltage	<b>57.00</b>

**NOTE:** For black body model, please add "-B" to the end of the Cat. No. (Panel Mount models only).



FLUSH MOUNTING  
H7ET-NP



**NOTE:** All units are in millimeters unless otherwise indicated.

## H7ET-N MINIATURE TIME TOTALISER

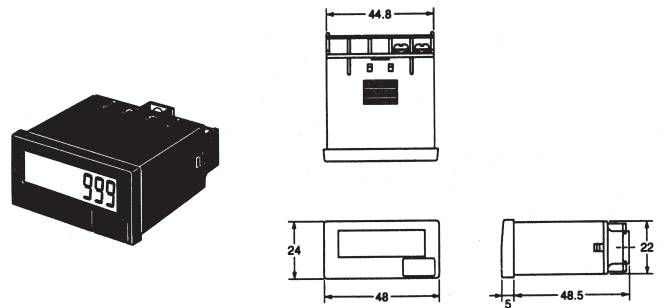
### FEATURES:

- Sub-miniature (1/32 DIN size) 48 x 24mm
- Choose black or ivory body (front panel mounting models only)
- Large, 7-digit LCD (8.6mm digit height)
- AC, DC and No-voltage input types available
- Panel mount type has user-replaceable lithium cell
- Optional 28-pin socket for PCB mount type
- Backlight function on "-H" models (use separate 24VDC power)
- Front panel "Reset" key may be disabled

Cat. No.	Counter Input	Time Display	Net Price
<b>PANEL MOUNT, SELF-POWERED</b>			
H7ET-N	No-voltage	999.9h or 3999d23.9h	<b>\$96.00</b>
H7ET-N1	No-voltage	999h59m59s or 9999h59.9m	<b>96.00</b>
H7ET-NV	DC-voltage	9999.9h or 3999d23.9h	<b>96.00</b>
H7ET-NV1	DC-voltage	999h59m59s or 9999h59.9m	<b>96.00</b>
H7ET-NV-H	DC-voltage	9999.9h or 3999d23.9h	<b>102.00</b>
H7ET-NV1-H	DC-voltage	999h59m59s or 9999h59.9m	<b>97.00</b>
H7ET-NFV	AC/DC voltage	9999.9h or 3999d23.9h	<b>111.00</b>
H7ET-NFV-1	AC/DC voltage	999h59m59s or 9999h59.9m	<b>111.00</b>

Cat. No.	Reset	Count Input	Time Display	Net Price
<b>PCB MOUNT</b>				
H7ET-NP	Electrical	No-voltage	999999.9h	<b>\$63.00</b>

**NOTE:** For black body model, please add "-B" to the end of the Cat. No. (Panel Mount models only).



**NOTE:** All units are in millimeters unless otherwise indicated.

## H7ER-N MINIATURE TACHOMETER

### FEATURES:

- Sub-miniature (1/32 DIN size) 48 x 24mm
- Choose black or ivory body
- Large, 4 or 5-digit LCD (8.6mm digit height)
- DC and No-voltage input types available
- Self-powered via a user-replaceable lithium cell
- Backlight function on "-H" models (use separate 24 VDC power)

Cat. No.	No. of Digits	Count Input	Max. Count Speed	Max. RPM Display (Applicable Encoder Resolution)	Net Price
H7ER-N	4	No-voltage	1kHz	100 rps (1 pulse/rev) or 1000 rpm (60 pulses/rev)	<b>\$108.00</b>
H7ER-NV	4	DC-voltage	1kHz		<b>108.00</b>
H7ER-NV-H	4	DC-voltage	1kHz		<b>113.00</b>
H7ER-NV1	5	DC-voltage	10kHz	1000.0 Orps (10 pulses/rev) or 1000.0 rpm (600 pulses/rev) or 10000 rpm (60 pulses/rev)	<b>108.00</b>
H7ER-NV1-H	5	DC-voltage	10kHz		<b>113.00</b>

**NOTE:** For black body model, please add "-B" to the end of the Cat. No.

### ACCESSORIES FOR H7ER-N SERIES

Cat. No.	Description	Net Price
Y92S-36	Lithium battery for H7ER-N	<b>\$11.90</b>
Y92S-37	Wire-wrap terminal adapter (set of two)	<b>2.90</b>
Y92F-75	Flush mounting adapter (fits 26 x 45mm rectangular cut-out)	<b>5.80</b>
Y92F-77B	Flush mounting adapter (fits 24.8 x 48.8mm rectangular cut-out)	<b>5.80</b>