

SERIES 4304H SUPER BRITE SOLID STATE LED LAMPS PACKAGE TYPE T-13/4

FEATURES: High-intensity light output. Wide viewing angle.

Cat. No.	Lens Colour	Forward		Lumen mcd	Net Price
		Volt	mA		
4304H1	Red	2.0	10.0	6.3	\$.37
4304H3	Amber	2.2	10.0	20.0	\$.53
4304H5	Green	2.1	10.0	10.0	\$.37
4304H7	Yellow	2.1	10.0	6.3	\$.37

SERIES 4305H ULTRA BRITE SOLID STATE LED LAMPS PACKAGE TYPE T-13/4

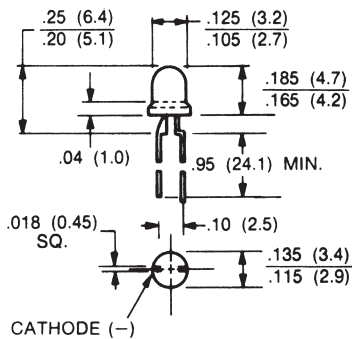
FEATURES: Narrow beam viewing angle. High-intensity light output.

Cat. No.	Lens Colour	Forward		Lumen mcd	Net Price
		Volt	mA		
4305H1	Red	2.1	20.0	68	\$.37
4305H5	Green	2.2	20.0	100	\$.37
4305H7	Yellow	2.2	20.0	160	\$.37

SERIES 4302H-5V AND 4302H-12V SOLID STATE INTEGRATED RESISTOR LED LAMPS PACKAGE TYPE T-13/4

FEATURES: Integral current limiting resistor. TTL compatible—requires no external current limiting resistor, will operate directly off 5 volt or 12 volt supply. Wide viewing angle—90°. Cost effective—saves valuable board space, resistor and assembly cost.

Cat. No.	Lens Colour	Forward		Lumen mcd	Net Price
		Volt	mA		
4302H1-5V	Red	5.0	10.0	8	\$1.09
4302H3-5V	Amber	5.0	10.0	8	1.09
4302H5-5V	Green	5.0	12.0	8	1.09
4302H1-12V	Red	12.0	13.0	8	1.09
4302H3-12V	Amber	12.0	13.0	8	1.09
4302H5-12V	Green	12.0	13.0	8	1.09



4300FLC SERIES T-1 SOLID STATE LED LAMPS (3mm)

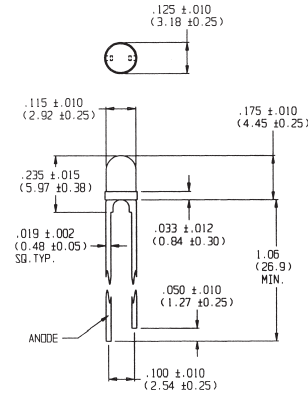
FEATURES: T-1 BRITE LEDs: Require only 2 mA. Ideal for limited-current power supplies.

Cat. No.	Output Colour	Forward		Lumen mcd	View Angle	Net Price
		Volts	mA			
4300F1LC	Red	1.8	2.0	2.3	50°	\$.62
4300F5LC	Green	1.8	2.0	2.3	50°	\$.62
4300F7LC	Yellow	1.9	2.0	2.1	50°	\$.62

SERIES 4303F SUPER BRITE SOLID STATE LED LAMPS PACKAGE TYPE T-1

FEATURES: High intensity light output. Diffused lens wide viewing angle—90°.

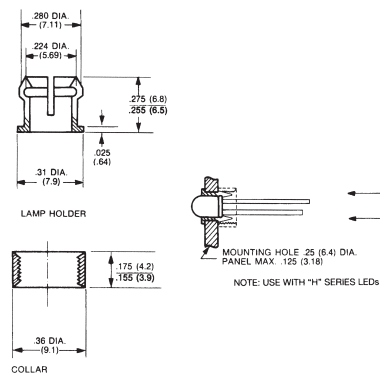
Cat. No.	Lens Colour	Forward		Lumen mcd	Net Price
		Volt	mA		
4303F1	Red	2.0	10.0	10.0	\$.37
4303F3	Amber	2.2	10.0	7.0	\$.56
4303F5	Green	2.2	10.0	16.0	\$.37
4303F7	Yellow	2.1	10.0	6.3	\$.37



4302F-5V, 4302F-12V SERIES INTEGRATED RESISTOR 5 VOLTS 12 VOLTS T-1 (3MM) LEDs

FEATURES: High brightness output. Integral current limiting resistor. TTL compatible requires no external current limiter with 5 volt or 12 volt supply. Wide viewing angle—60°. Package type: Diffused. Viewing angle (degrees): 60.

Cat. No.	Lens and Output Colour	Forward Voltage		Lumen mcd	Net Price
		Typ.	Max.		
4302F1-5V	Red	5	7.5	8.0	\$.90
4302F5-5V	Green	5	7.5	8.0	\$.90
4302F1-12V	Red	12	15	8.0	1.09
4302F5-12V	Green	12	15	8.0	1.09



MOUNTING CLIPS FOR T-1-3/4 (5MM) LEDs

This attractive and economical mounting clip installs quickly and provides secure mounting for T-1-3/4 high dome LEDs such as 4301H, 4304H, 4305H or 4308H Series. Colour: Black polypropylene. Mounting hole: .250 (6.35) min. dia. in panels up to .125 (3.18) thick.

Cat. No.	Net Price
4304MC	\$.16