



Model Number

ML8-8-H-30-RT/59/102/115/162

Background suppression sensor with 2 m fixed cable

Features

- Detection of circuit boards
- Precise background suppression
- Very small black-white difference
- Plug and Play
- Not sensitive to ambient light, even with switched energy saving lamps

Accessories

OMH-ML7-01
Mounting aid

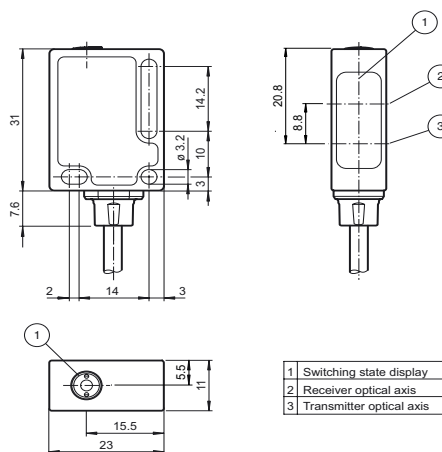
OMH-ML7-02
Mounting aid

OMH-ML7-03
Mounting aid

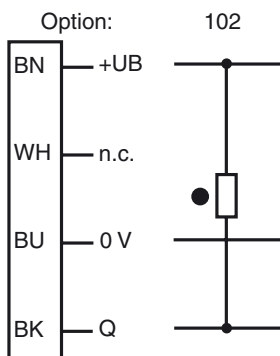
Release date: 2008-09-30 10:14 Date of issue: 2008-09-30 204310_ENG.xml

Additional accessories can be found in the Internet.

Dimensions



Electrical connection



○ = Light on
● = Dark on

Technical data

General specifications

Detection range	15 ... 30 mm
Light source	LED, red
Black/White difference (6%/90%)	< 10 %
Approvals	CE, cULus Listed 57M3 (Only in association with UL Class 2 power supply; Type 1 enclosure)
Reference target	standard black, 100 mm x 100 mm
Light type	red, modulated light
Diameter of the light spot	3 light spots, 12 mm apart (outer spot to outer spot), spotsize 3.5 mm at a distance of 30 mm
Ambient light limit	EN 60947-5-2

Indicators/operating means

Function display	2 LEDs yellow, light up in case of detection
------------------	--

Electrical specifications

Operating voltage	U_B	10 ... 30 V DC, class 2
Ripple		max. 10 %
No-load supply current	I_0	< 20 mA

Output

Switching type	dark ON	
Signal output	1 NPN output, short-circuit proof, protected from reverse polarity, open collector	
Switching voltage	max. 30 V DC	
Switching current	max. 100 mA	
Voltage drop	U_d	≤ 1.5 V DC
Response time		1 ms

Standard conformity

Standards	EN 60947-5-2
Standards 2	UL 508

Ambient conditions

Ambient temperature	-20 ... 60 °C (253 ... 333 K)
Storage temperature	-40 ... 70 °C (233 ... 343 K)

Mechanical specifications

Protection degree	IP65 / IP67
Connection	fixed cable 2 m
Material	
Housing	PC (Makrolon, glass-fibre-reinforced)
Optical face	PMMA
Mass	approx. 50 g

Curves/Diagrams

