



## General Specifications

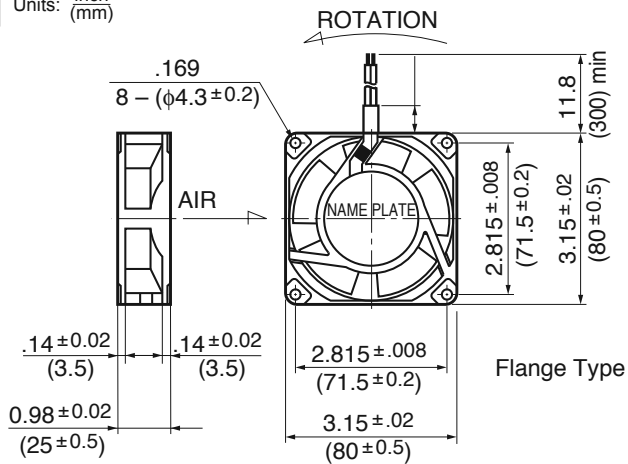
**Motor Structure:** Shaded Pole Induction Motor  
**Motor Protection:** Impedance Protection  
**Allowable Ambient Temperature Range:**  
 -10°C ~ +70°C (Operating)  
 -40°C ~ +70°C (Storage)  
 (non-condensing environment)

## Expected Life

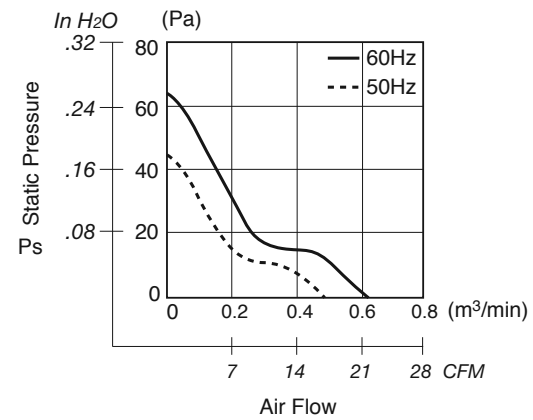
**Failure Rate: 10%**  
 25°C 50,000 Hours

## Outline

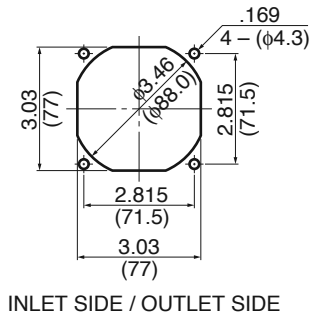
Units:  $\frac{\text{inch}}{\text{mm}}$



## Characteristic Curves



## Panel Cut-outs



INLET SIDE / OUTLET SIDE

## Material

Casing : Aluminum  
 Impeller : Polycarbonate (Glass Fiber-Containing)  
 Bearing : Ball Bearing  
 Lead Wire: UL3266, CSA CL1252, AWG22

## Specifications

MODEL	Rated Voltage	Frequency	Starting Voltage	Current	Input Power	Speed	Max. Air Flow		Max. Static Pressure		Noise	Mass
	(V)	(Hz)	(V)	(A) <sup>*1</sup>	(W) <sup>+10% -20%</sup>	(min <sup>-1</sup> ) <sup>*3</sup>	CFM <sup>*2</sup>	(m <sup>3</sup> /min) <sup>*3</sup>	in H <sub>2</sub> O	(Pa) <sup>*3</sup>	(dB) <sup>*2</sup>	(g)
3110PS-12W-B30-A00	115	50	65	0.085	6.0	2600	16.2	0.46	.15	39.2	28	220
	115	60	65	0.075	5.0	3100	19.7	0.56	.21	53.9	33	220

Rotation: Clockwise

Airflow Outlet: Air Out Over Struts

\*1: Average Values in Free Air