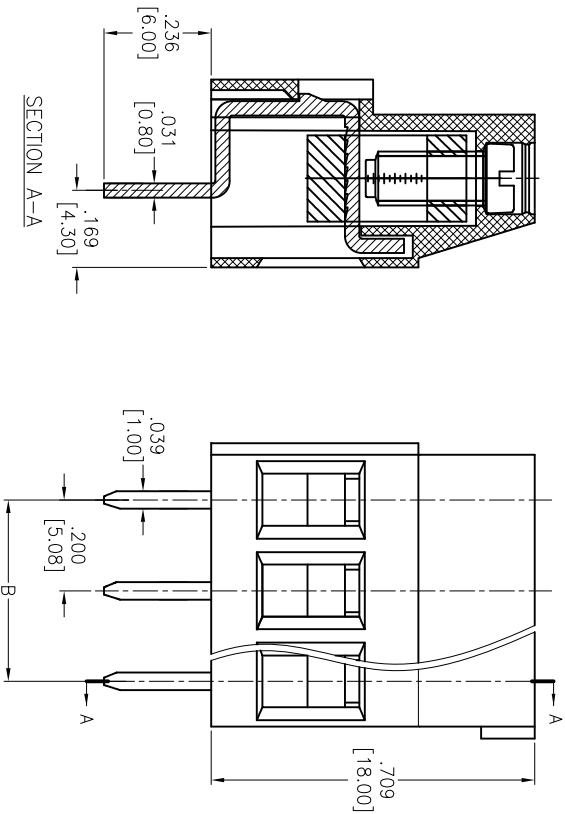
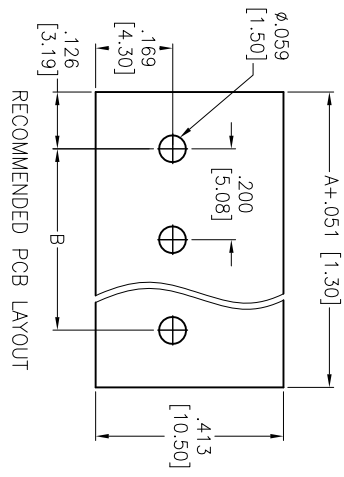
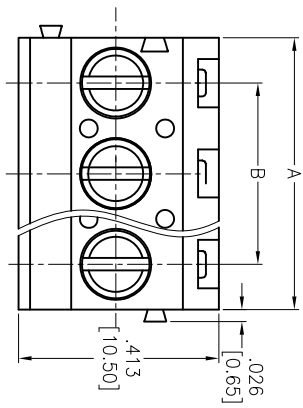


Rev	AWO #	Description	Date	Appr
-		RELEASED	9/10/13	

APPROVED: \_\_\_\_\_ TITLE: \_\_\_\_\_  
 DATE: \_\_\_\_\_



Positions: 02 thru 24  
 A = .200 [5.08] x No. of Positions  
 B = .200 [5.08] x No. of Spaces

**SPECIFICATIONS:**

- Material: Insulator: PA66, rated UL 94V-0
- Insulator color: Green
- Screw: Steel, M3.0/Zinc plated
- Cage: Brass, Nickel plated
- Pin Header: Brass, Tin plated
- Electrical: Voltage rated: 300 VAC
- Current rated: 16 Amps
- Contact resistance: 20 mΩ
- Insulation resistance: 500 MΩ @ 500 VDC
- Withstanding voltage: 2000V AC/1 Min
- Mechanical: Solid wire: 26-12AWG 2.5mm<sup>2</sup>
- Torque (Lb-in): 0.5Nm (4.5lb-in)
- Strip length: 6-7mm
- Temperature Rating: Operating temperature: -40°C to +105°C
- Environmental: Lead free, RoHS compliant.

**ADAM TECH**

909 Railway Avenue, Union, NJ 07083  
 Phone: 908-687-5000 Fax: 908-687-5710

EURO BLOCK, .200 [5.08] PITCH

UNLESS OTHERWISE SPECIFIED ALL DIMENSIONS ARE INCHES [MM] TOLERANCES EXCEPT AS NOTED		HOLE SIZES		DATE	
.X	± .10	ØX	± .10		
.XX	± .020	ØXXX	± .015		
.XXX	± .015	ØXXXX	± .010		
APPROVALS		DATE		TITLE	
DRAWN	AY	7/9/14		EURO BLOCK, .200 [5.08] PITCH	
CHECKED	SY	7/9/14		SIZE	PART NO.
APPROVED				X	EB147A-XX-D
REF: S00067C		SCALE:	NTS	SHEET	1 OF 1

