



249 SERIES Front or Rear Panel Mount Indicators

MECHANICAL / SPECIFICATIONS

MOUNTING HOLE SIZE:
0.375" (9.53 mm)

MAX PANEL THICKNESS:
0.312" (7.92 mm)

MOUNTING TORQUE:
8–10 in-lbs torque

VOLTAGE OPTIONS:
3.6, 5, 10, 14, and 28VDC
(no resistor required)

OPERATING TEMP:
-55 °C to +71 °C (-67 °F to +159.8 °F)

STORAGE TEMP:
-55 °C to +71 °C (-67 °F to +159.8 °F)

ELECTRICAL CONNECTION:
Turret terminals for wire wrapping

HOUSING:
Aluminum — Black Anodized

TERMINALS:
Phosphor Bronze — Fused Tin

KNURLED FLANGE NUT:
Aluminum — Black Anodized

LOCK WASHER:
Phosphor Bronze — White Nickel Plated

NUT:
Brass — White Nickel Plated

CERTIFICATIONS & RATINGS

RoHS compliant

FEATURES & BENEFITS

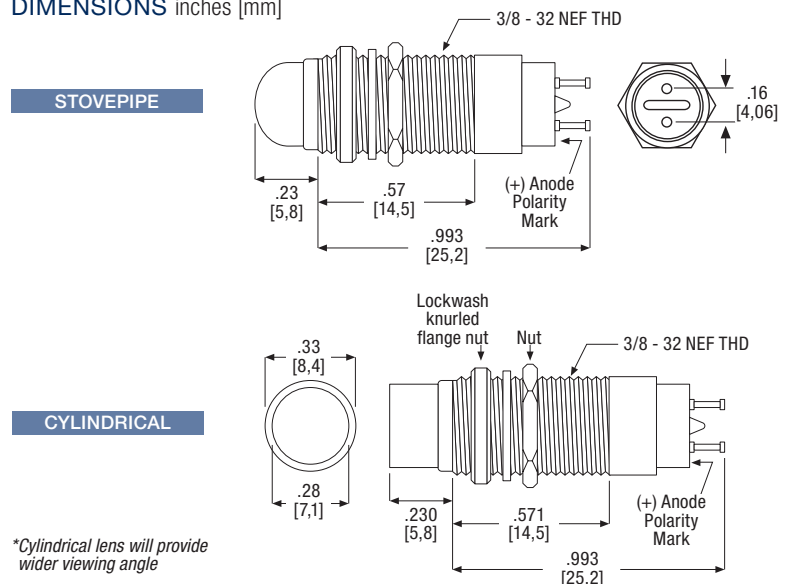
- For mounting in 3/8" clearance hole
- Complete package: light source, housing, and lens

APPLICATION

Dialight's 249 series LED panel mount indicator is available with a variety of LED's including AllnGap and InGan technology for high brightness applications. These indicators are designed for a variety of applications such as:

- Main and remote power indication
- Status indication
- Maintenance and warning indication
- Instrumentation
- Process control

DIMENSIONS inches [mm]



*Cylindrical lens will provide wider viewing angle

ORDERING INFORMATION

STOVEPIPE

Part Number	Color	Voltage (V DC)*	Current (mA)	Typical Intensity (mcd)	
249-4162-3734-504F	● Blue	3.5**	10	1500	
249-7867-3731-504F	● Red	3.6	20	170	
249-7967-3732-504F	● Green			100	
249-8067-3733-504F	● Yellow			150	
249-4164-3734-504F	● Blue			5	10
249-7868-3731-504F	● Red	170			
249-7968-3732-504F	● Green	20	100		
249-8068-3733-504F	● Yellow	150			
249-4166-3734-504F	● Blue	10	20	1500	
249-7870-3731-504F	● Red			170	
249-7970-3732-504F	● Green			100	
249-8070-3733-504F	● Yellow			150	
249-4167-3734-504F	● Blue	14	20	1500	
249-7871-3731-504F	● Red			170	
249-7971-3732-504F	● Green			100	
249-8071-3733-504F	● Yellow			150	
249-4168-3734-504F	● Blue	28	20	1500	
249-7872-3731-504F	● Red			170	
249-7972-3732-504F	● Green			100	
249-8072-3733-504F	● Yellow			150	

CYLINDRICAL

Part Number	Color	Voltage (V DC)*	Current (mA)	Typical Intensity (mcd)	
249-4162-3334-504F	● Blue	3.5**	10	700	
249-7867-3331-504F	● Red	3.6	20	55	
249-7967-3332-504F	● Green			40	
249-8067-3333-504F	● Yellow			75	
249-4164-3334-504F	● Blue			5	10
249-7868-3331-504F	● Red	55			
249-7968-3332-504F	● Green	20	40		
249-8068-3333-504F	● Yellow	75			
249-4166-3334-504F	● Blue	10	20	700	
249-7870-3331-504F	● Red			55	
249-7970-3332-504F	● Green			40	
249-8070-3333-504F	● Yellow			75	
249-4167-3334-504F	● Blue	14	20	700	
249-7871-3331-504F	● Red			55	
249-7971-3332-504F	● Green			40	
249-8071-3333-504F	● Yellow			75	
249-4168-3334-504F	● Blue	28	20	700	
249-7872-3331-504F	● Red			55	
249-7972-3332-504F	● Green			40	
249-8072-3333-504F	● Yellow			75	



Dialight reserves the right to make changes at any time in order to supply the best product possible. The most current version of this document will always be available at: www.dialightsignalsandcomponents.com

Warranty Statement: Except for the warranty expressly provided for at: www.dialight.com/resources/warranties/, Dialight disclaims any and all other warranties, express or implied, including, without limitation, any warranties of merchantability, fitness for a particular purpose, title, and noninfringement.