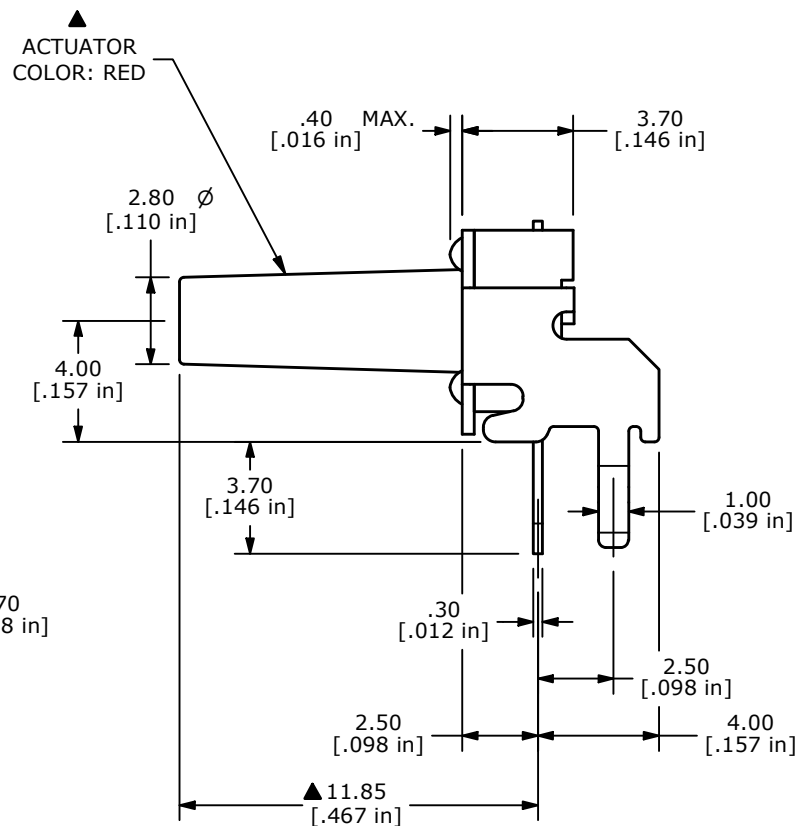
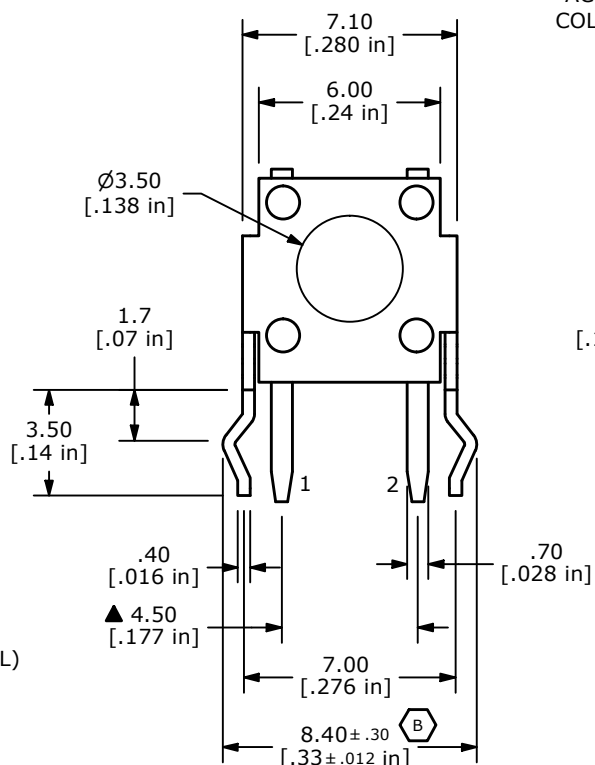


NOTES:

1. ALL DIMENSIONS IN MM
2. GENERAL TOLERANCE: X.X =  $\pm 0.4$   
X.XX =  $\pm 0.25$
3. TERM. NOS. FOR REFERENCE ONLY.
4. RATING: 12VDC, 50mA
- ▲ 5. OPERATING FORCE: 250  $\pm$  50 gf
6. TRAVEL: 0.25 +0.2/-0.1 mm
7. CONTACT RESISTANCE: 50 MILLI OHMS MAX. (INITIAL)
8. MECHANICAL/ELECTRICAL LIFE 100,000 CYCLES MIN.
- ▲ 9. CONTACT MATERIAL: SILVER
10. ▲ DENOTES CRITICAL PARAMETER
11. OPERATING TEMP: -40°C TO 85°C



C	24550	REMOVE STEP IN HOUSING, CHANGE TEMP	10/19/20	JM
B	19502	CHANGED TOLERANCE	12/07/10	BGL
A	12370	RELEASED FOR PRODUCTION	8/14/02	CJB
REV	PCR NO	DESCRIPTION	DATE	BY



TITLE TL1105NF250Q				
SCALE	DATE	DR	DWG	REV
4:1	11/16/1999	MM	P020227	C

THE INFORMATION CONTAINED IN THIS DOCUMENT IS PROPRIETARY TO E-SWITCH AND IS NOT TO BE COPIED OR TRANSFERRED