

# Product data sheet

Specifications



Socket, SE Relays general purpose relay accessory, 3PDT, 16A, 600 V, 11 pins, screw clamp terminal, 750/750H series

70-750DL11-1

⚠ Discontinued

⚠ Discontinued on: Aug 15, 2024

Product availability: Stock - Normally stocked in distribution facility

## Main

Product Range	Legacy
Product Type	Socket
Product Compatibility	relay 750XCXR relay 750CXXH suppressor module 70-ASMM diode 70-ASMD signalling device 70-ASMLG suppressor module 70-ASMR jumper wire 16-750CBJ-1
Number of Terminals	11
Switch Function	3PDT
Contact Composition	3 NO + 3 NC

## Complementary

Rated Current	16 A
[Ue] rated operational voltage	300 V
Contact Terminal Arrangement	Mixed
Connections Terminals	screw clamp terminals solid for output screw clamp terminals stranded for output
Tightening Torque	< 1 N.m
Fixing Mode	By screw M3.5, M3.5 panel Clip-on 35 mm DIN rail
Shape of Screw Head	Combination roundhead
Product Weight	2.8 oz (78 g)
Width	1.5 in (38 mm)
Depth	3.02 in (76.81 mm)

## Environment

Ambient Air Temperature for Storage	-40...221 °F (-40...105 °C)
Ambient Air Temperature for Operation	-40...131 °F (-40...55 °C)
IP Degree of Protection	IP20
Flame Retardance	UL94-V0

Price is "List Price" and may be subject to a trade discount – check with your local distributor or retailer for actual price.

<b>Product Certifications</b>	UL CSA CE
-------------------------------	-----------------

## Ordering and shipping details

<b>Category</b>	US10CP221127
<b>Discount Schedule</b>	0CP2
<b>GTIN</b>	3606480277993
<b>Returnability</b>	Yes
<b>Country of origin</b>	TW

## Packing Units

<b>Unit Type of Package 1</b>	PCE
<b>Number of Units in Package 1</b>	1
<b>Package 1 Height</b>	3.19 in (8.1 cm)
<b>Package 1 Width</b>	1.50 in (3.8 cm)
<b>Package 1 Length</b>	1.46 in (3.7 cm)
<b>Package 1 Weight</b>	2.8 oz (78.0 g)
<b>Unit Type of Package 2</b>	CAR
<b>Number of Units in Package 2</b>	10
<b>Package 2 Height</b>	3.27 in (8.3 cm)
<b>Package 2 Width</b>	2.91 in (7.4 cm)
<b>Package 2 Length</b>	7.64 in (19.4 cm)
<b>Package 2 Weight</b>	27.5 oz (780.0 g)
<b>Unit Type of Package 3</b>	BB1
<b>Number of Units in Package 3</b>	100
<b>Package 3 Height</b>	16.22 in (41.2 cm)
<b>Package 3 Width</b>	9.06 in (23.0 cm)
<b>Package 3 Length</b>	16.10 in (40.9 cm)
<b>Package 3 Weight</b>	37.5 lb(US) (17.0 kg)

## Environmental Data

Schneider Electric aims to achieve Net Zero status by 2050 through supply chain partnerships, lower impact materials, and circularity via our ongoing “Use Better, Use Longer, Use Again” campaign to extend product lifetimes and recyclability.

[Environmental Data explained >](#)

[How we assess product sustainability >](#)

### Environmental footprint

Carbon footprint (kg CO2 eq, Total Life cycle)	1
--	---

## Use Better

### Materials and Substances

Packaging made with recycled cardboard	Yes
--	-----

Packaging without single use plastic	Yes
--------------------------------------	-----

<a href="#">EU RoHS Directive</a>	Pro-active compliance (Product out of EU RoHS legal scope)
-----------------------------------	--

REACH Regulation	<a href="#">REACH Declaration</a>
------------------	-----------------------------------

California proposition 65	<b>WARNING:</b> This product can expose you to chemicals including: Nickel compounds, which is known to the State of California to cause cancer, and Di-isodecyl phthalate (DIDP), which is known to the State of California to cause birth defects or other reproductive harm. For more information go to <a href="http://www.P65Warnings.ca.gov">www.P65Warnings.ca.gov</a>
---------------------------	---

## Use Again

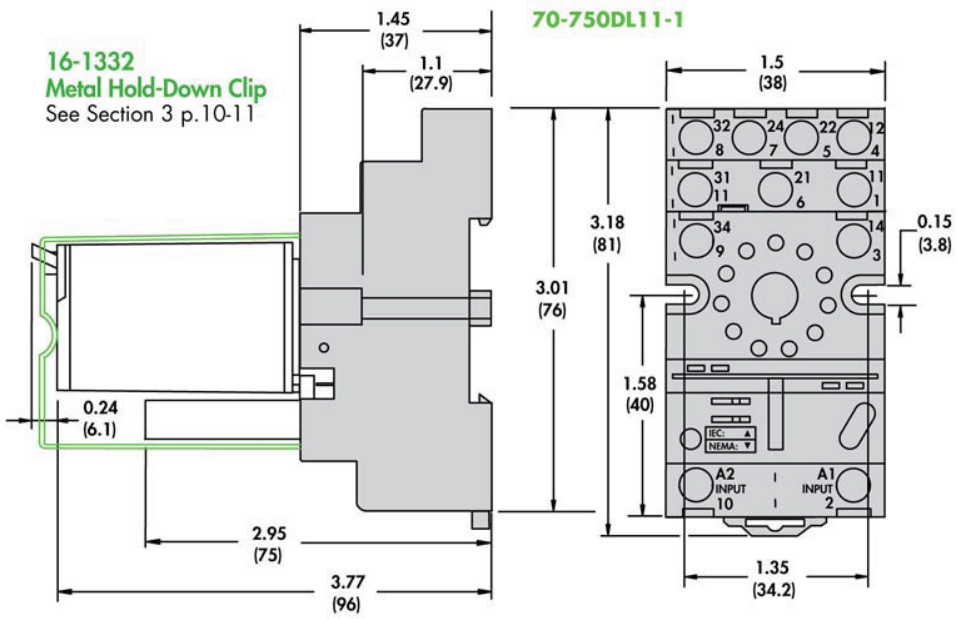
### Repack and remanufacture

Circularity Profile	No need of specific recycling operations
---------------------	--

WEEE	 The product must be disposed on European Union markets following specific waste collection and never end up in rubbish bins.
------	--

Dimensions Drawings

Approximate Dimensions



Connections and Schema

Connections and Wiring Diagrams

---

