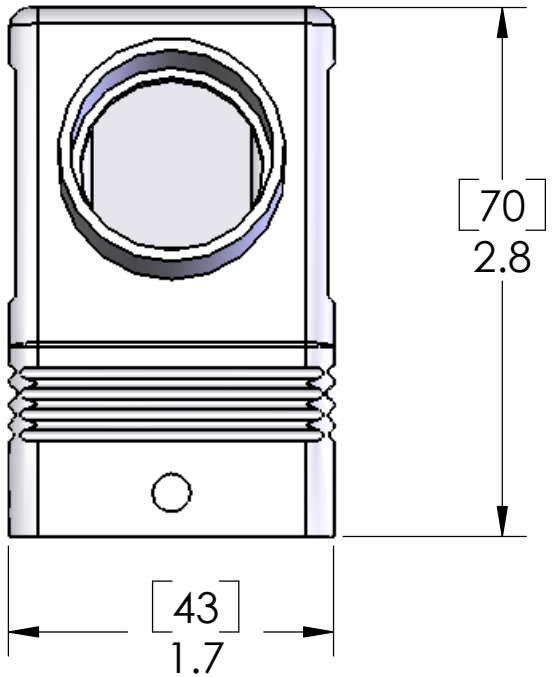
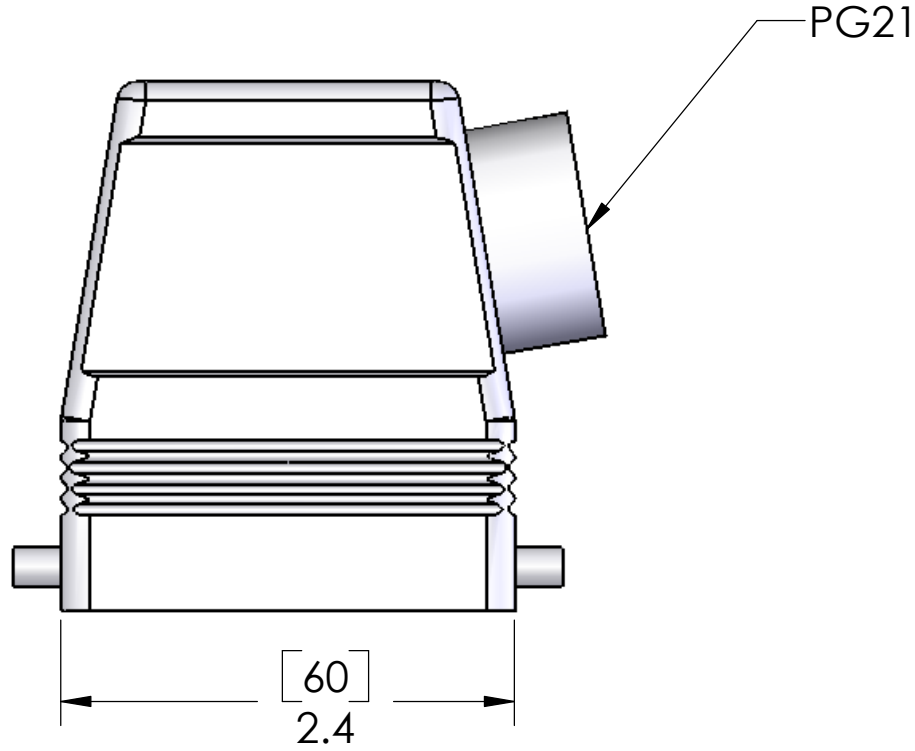


REVISIONS			
REV.	DESCRIPTION	DATE	APPROVED
A	redrawn in sw	6/1/2005	



SEAL RATING OF IP 65 ONLY ACHIEVED WHEN FULLY LATCHED TO MATING BASE AND WITH AN APPROPRIATE SEALING GLAND INSTALLED

PROPRIETARY AND CONFIDENTIAL
 THE INFORMATION CONTAINED IN THIS DRAWING IS THE SOLE PROPERTY OF MENCOM CORPORATION. ANY REPRODUCTION IN PART OR AS A WHOLE WITHOUT THE WRITTEN PERMISSION OF MENCOM CORPORATION IS PROHIBITED.

UNLESS OTHERWISE SPECIFIED:
 DIMENSIONS ARE IN INCHES AND [MM]
 MATERIAL
 FINISH
 DO NOT SCALE DRAWING

NAME	DWM
DRAWN	
CHECKED	
ENG APPR.	
MFG APPR.	
Q.A.	
COMMENTS:	

HOUSING MATERIALS	
BODY:	EPOXY COATED DIE CAST ALUMINUM

MENCOM CORPORATION		
TITLE:		
SIZE	DWG. NO.	REV
B	CAO-06L21	A
SCALE: 1:1	WEIGHT:	SHEET 1 OF 1