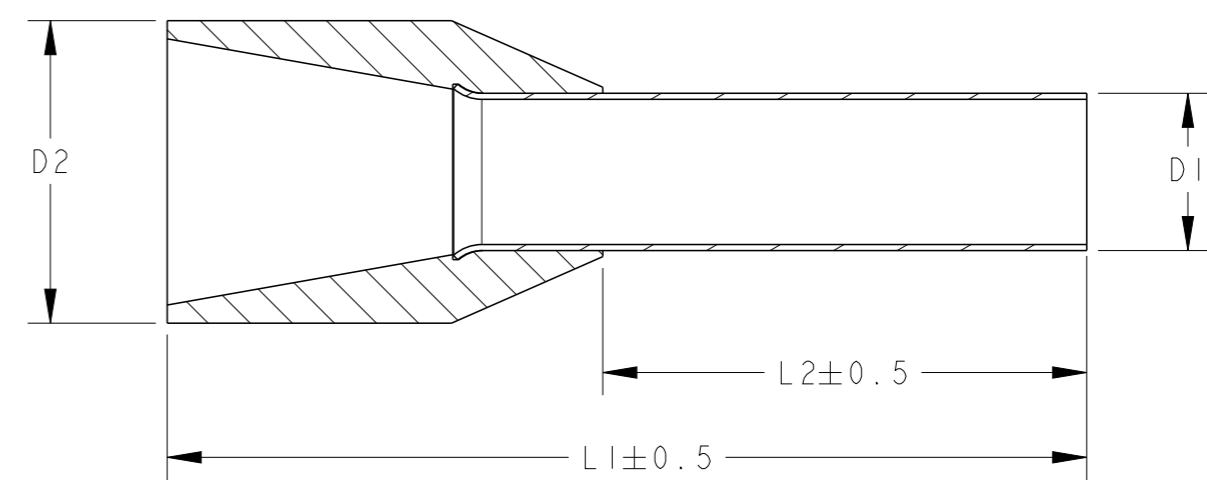


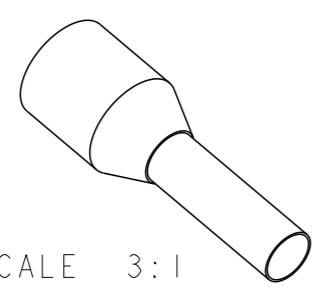
THIS DRAWING IS UNPUBLISHED. RELEASED FOR PUBLICATION  
 © COPYRIGHT - ALL RIGHTS RESERVED.

LOC	DIST	REVISIONS				
P	LTR	DESCRIPTION	DATE	DWN	APVD	
AL	2	A3	OBSOLESCENCE OF PN 737735-1, -2, -3	13AUG2014	KJK	JK

PART NUMBER	SECTION mm2	L1	L2	D1	D2	COLOR	QTY/BAG
737730-1	0.5	12.0	6.0	1.0	2.6	WHITE	200
737730-2		14.0	8.0				
737730-3		16.0	10.0				
737731-1	0.75	12.0	6.0	1.2	2.8	GREY	200
737731-2		14.0	8.0				
737731-3		16.0	10.0				
737731-4		18.0	12.0				
737732-1	1.0	12.0	6.0	1.4	3.0	RED	200
737732-2		14.0	8.0				
737732-3		16.0	10.0				
737732-4	1.5	18.0	12.0	1.7	3.5	BLACK	200
737733-1		14.0	8.0				
737733-2		16.0	10.0				
737733-3	2.5	18.0	12.0	2.2	4.2	BLUE	100
737733-4		24.0	18.0				
737734-1		14.0	8.0				
737734-2	4.0	18.0	12.0	2.8	4.8	GREY	100
737734-3		24.0	18.0				
737735-1		17.0	10.0				
737735-2	6.0	20.0	12.0	3.5	6.3	YELLOW	100
737735-3		26.0	18.0				
737736-1	10.0	20.0	12.0	4.5	7.6	RED	50
737736-2		26.0	18.0				
737737-1	16.0	22.0	12.0	5.8	8.8	BLUE	50
737737-2		28.0	18.0				
737738-1	25.0	24.0	12.0	7.3	11.2	YELLOW	50
737738-2		28.0	18.0				
737739-1		30.0	16.0				
737739-2	35.0	30.0	18.0	8.3	12.7	RED	25
737739-3		36.0	22.0				
737740-1	50.0	30.0	16.0	10.3	15.0	BLUE	25
737740-2		30.0	18.0				
737740-3		39.0	25.0				
737741-1	OBSOLETE	36.0	20.0	-	-	-	-
737741-2		40.0	25.0				



- |  |   |
|--|---|
| 1. DIMENSIONS BASED ON<br>DIN 46228.4                                | 1. DIMENSIONES BASADAS EN<br>DIN 46228.4                |
| 2. COLOR BASED ON DIN 47002  | 2. COLOR BASADO EN DIN 47002                            |
| 3. USE HAND TOOL 790081-1<br>FOR 0.5-4.0 mm2.                        | 3. USAR HERRAMIENTA MANUAL<br>790081-1 PARA 0.5-4.0mm2. |
| USE HAND TOOL 790081-2<br>FOR 6.0-16.0 mm2                           | USAR HERRAMIENTA MANUAL<br>790081-2 PARA 6.0-16.0mm2.   |
| 4 FINISH FOR METAL SLEEVE:<br>TIN                                    | 4 ACABADO PARA EL CASQUILLO<br>METALICO: ESTAÑADO.      |
| 5 OBSOLETE PARTS: OBSOLETE<br>CIS STREAMLINING PER D.RENAUD/D.SINISI |   |



THIS DRAWING IS A CONTROLLED DOCUMENT.		DWN F. J. CARBONELL 10JUL2001	TE Connectivity <b>WIRE PIN</b>	
DIMENSIONS: mm		CHK J. PASCUAL 10JUL2001		
TOLERANCES UNLESS OTHERWISE SPECIFIED:		APVD -	NAME	
0 PLC ±-		PRODUCT SPEC	-	
1 PLC ±0.3		108-22049	-	
2 PLC ±-		APPLICATION SPEC	-	
3 PLC ±-		WEIGHT	-	
4 PLC ±-		Customer Drawing	SIZE A3	CAGE CODE 00779
ANGLES ±-		Customer Drawing	DRAWING NO G-737730	RESTRICTED TO
FINISH		Customer Drawing	SCALE NTS	SHEET 1 OF 1
4		Customer Drawing	REV A3	