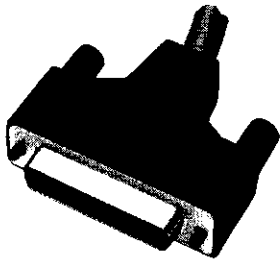


HDE-20 Shielding Hardware Enclosure Kits (Continued)

Receptacle



Each kit contains:

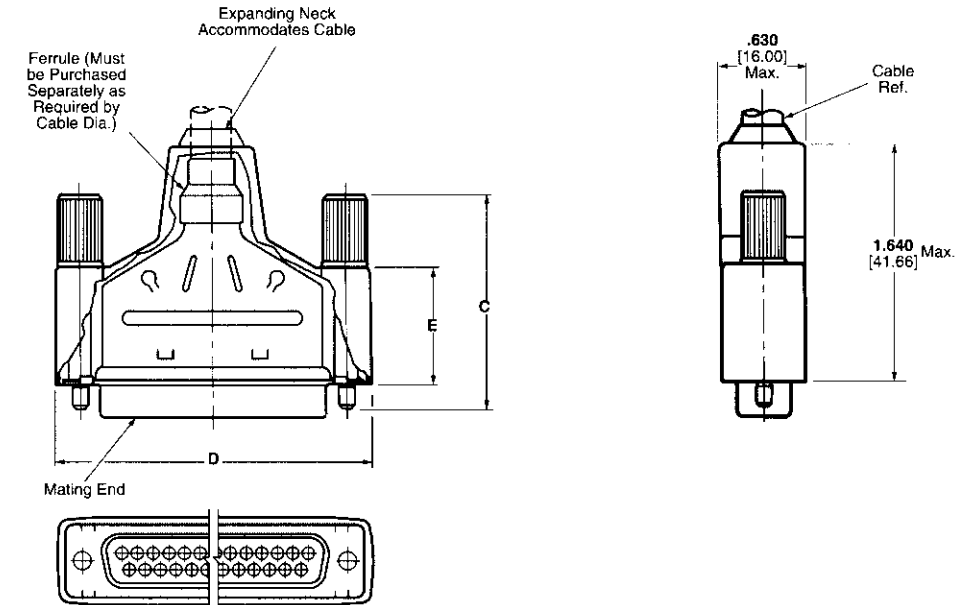
- Connector
 - Inner shield
 - Outer shield
 - Enclosure
 - Two jackscrews
- Ferrules must be purchased separately.

Material and Finish:

- Connector Shell**—Steel, tin plated
- Connector Insert**—94V-0 rated thermoplastic, black
- Shield**—Steel, tin plated
- Enclosure**—PVC, black
- Jackscrews**—Zinc alloy
- Contacts**—Phosphor bronze
- Contact Finish**—Duplex plated:
A—0.00030 (0.00076) gold on mating end, tin-lead on termination end, with entire contact nickel underplated
B—Gold flash on mating end, tin-lead on termination end, with entire contact nickel underplated

Related Product Data:

- Contact Arrangements**—page 41
- Performance Characteristics**—page 42
- Application Tooling**—pages 126-128
- Mateable Connectors:**
- HDP**—pages 95-102
- HD-20 Board Mount**—pages 55-72, 83-90, 92-94
- Mating Hardware**—pages 151-155, 158, 160
- Mating/Panel Mounting**—page 43



Technical Documents:

- Product Specifications**—108-40011, 108-40030
- Application Specifications**—114-40002, 114-40003, 114-40006, 114-40008
- Instruction Sheet**—408-9172
- Note:** Instruction Sheets for AMP Tooling are packaged with the tooling. For additional information call the Tooling Assistance Center: **1-800-722-1111**.

Shell Size	No. of Contact Pos.	Dimensions			Recommended Cable Outer Dia. Range	Max. Inner Cable Bundle Dia. †	Contact Finish (Plating Code)	Kit Part Numbers		Shielding Enclosure Expansion Tool	
		C	D	E				Contact I.D. No. 1 for 30-26 AWG [0.05-0.15mm ²]	Contact I.D. No. 2 for 26-22 AWG [0.15-0.4mm ²]	Cable O.D. (Max.)	Part No.
								Receptacle	Receptacle		
1	9	1.640	1.355	.630	.190-.330 4.83-8.38	.330 8.38	A	747943-1	747943-2	.330 8.38	58241-4
		41.66	34.42	16.00				—	747943-5		
2	15	1.640	1.685	.630	.190-.330 4.83-8.38	.330 8.38	A	747945-1	—	.450 11.43	58241-1
		41.66	42.80	16.00				—	747945-5		
3	25	1.640	2.210	.630	.217-.435 5.51-11.05	.350 8.89	A	747947-1	747947-2	.572 14.52	58241-2
		41.66	56.13	16.00				—	747947-5		
4	37	2.010	2.865	.730	.338-.562 8.59-14.28	.450 11.43	A	—	747949-2	—	—
		51.05	72.77	18.54				—	—		

†Maximum cable diameter after jacket and braid removed.