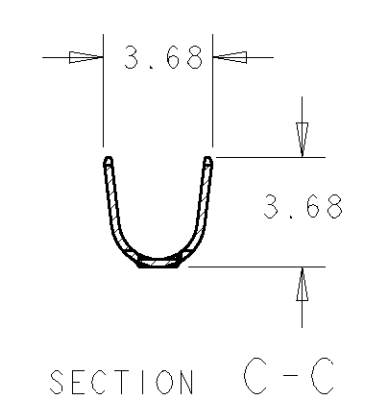
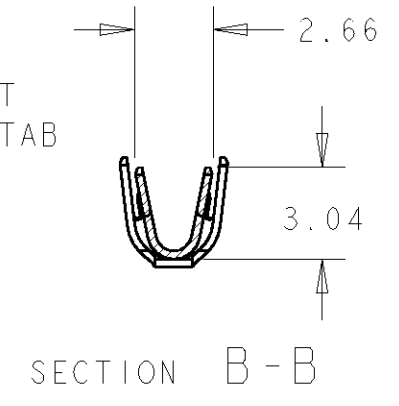
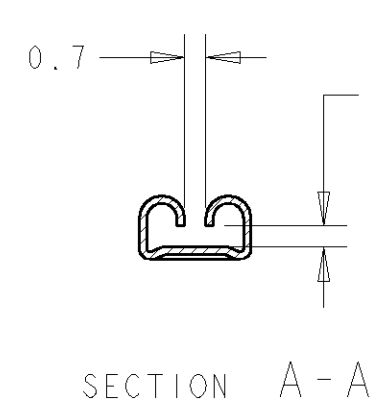
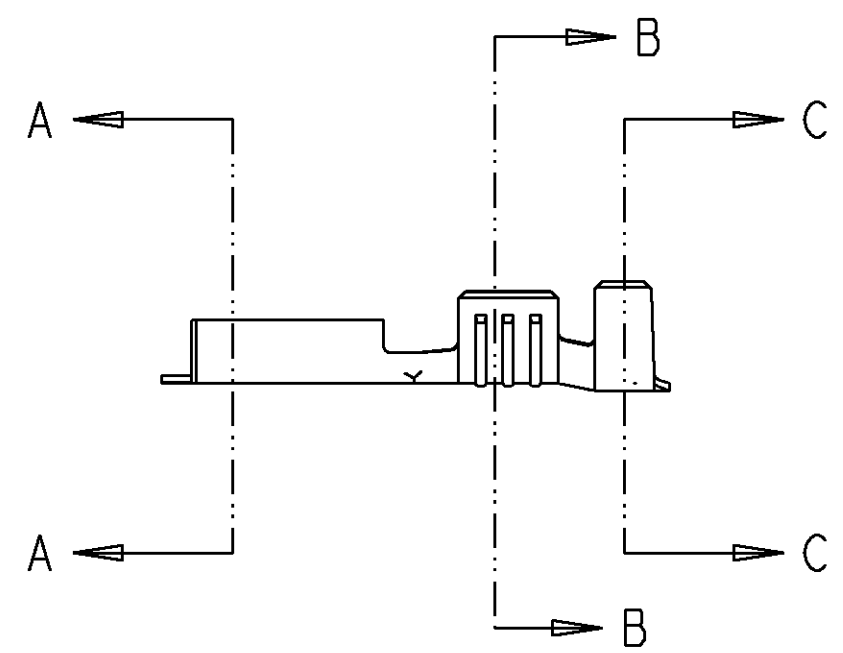
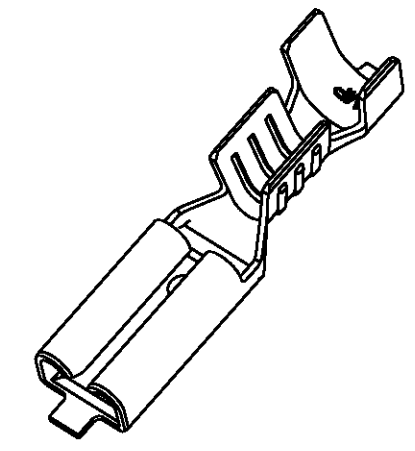
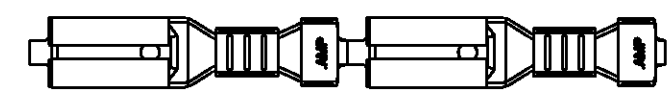
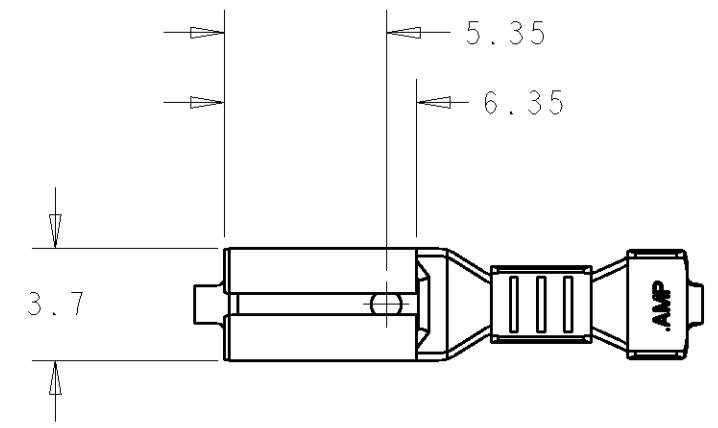


THIS DRAWING IS UNPUBLISHED. RELEASED FOR PUBLICATION 20  
 © COPYRIGHT 20 BY TYCO ELECTRONICS CORPORATION. ALL RIGHTS RESERVED.

LOC	DIST	REVISIONS				
P	LTR	DESCRIPTION	DATE	DWN	APVD	
E	B	A	FIRST ISSUE	20JAN2006	MJG	JA



NONE	BRASS	42594-3
ELECTRO TIN	BRASS	42594-2
PRE-TIN	BRASS	42594-1
FINISH	MATERIAL	PART NO

NOTES:

- 1. WIRE RANGE 20-16 AWG
- 2. INSULATION RANGE 2-3mm DIA

<small>THIS DRAWING IS A CONTROLLED DOCUMENT FOR TYCO ELECTRONICS CORPORATION          IT IS SUBJECT TO CHANGE AND THE CONTROLLING ENGINEERING ORGANIZATION          SHOULD BE CONTACTED FOR THE LATEST REVISION.</small>		DWN M.GREENER 20JAN2006 CHK J.AMBROSE 20JAN2006 APVD J.AMBROSE 20JAN2006 PRODUCT SPEC		<b>AMP</b> Tyco Electronics UK Ltd Bideford, Devon EX39 4HA	
DIMENSIONS: 0.5 		TOLERANCES UNLESS OTHERWISE SPECIFIED: 0 PLC ± 1 PLC ±0.5 2 PLC ±0.5 3 PLC ±0.5 4 PLC ± ANGLES ±1 FINISH		NAME .110 SERIES FASTON RECEPTACLE	
MATERIAL SEE TABLE		APPLICATION SPEC WEIGHT		SIZE A3 CAGE CODE 00779 DRAWING NO C-42594 RESTRICTED TO	
CUSTOMER DRAWING				SCALE 5:1 SHEET 1 OF 1 REV A	