
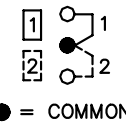
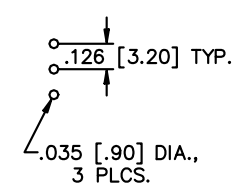
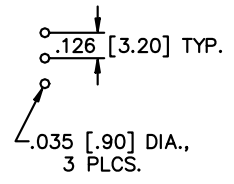

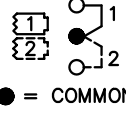
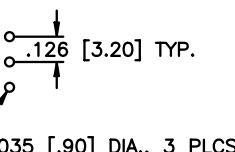
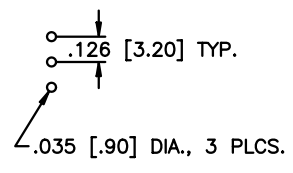
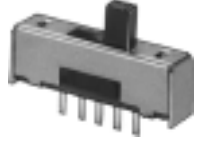
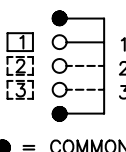
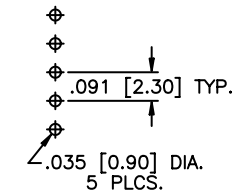
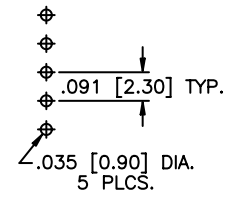


SLB Series

(with p.c. board stand-off bracket)

Miniature Slide Switches

SPECIFICATIONS	FEATURES
<p>Contact ratings: 300 mA at 125 VAC or 30 VDC</p> <p>Initial contact resistance: 20 milliohms max.</p> <p>Insulation resistance: 100 megohms min. at 500 VDC</p> <p>Dielectric strength: 500 volts RMS for 1 minute</p> <p>Electrical life: 10,000 cycles min.</p> <p>Operating temperature range: -20°C to +85°C</p> <p>Actuation force: 220g ± 100g</p> <p>Solder heat resistance: 260°C max. for 3 seconds</p> <p>Solvent washing permissible</p>	<ul style="list-style-type: none"> Miniature compact size. Wash-through open frame construction. Positive spring loaded ball detent mechanism. Epoxy sealed terminals.
MATERIALS	
<p>Contacts & terminals: Silver plated</p> <p>Frame: Zinc plated steel</p> <p>Actuator: Thermoplastic</p> <p>Base: Phenolic laminated sheet</p>	<p>Terminal seal: Epoxy</p>

<p>MODEL NO.</p> <p>SLB12814</p>	<p>1P2T</p>  <p>● = COMMON</p>		
 <p>VERTICAL ACTUATOR</p>	<p>SCHEMATIC</p> <p>MECHANICAL OUTLINE</p>	<p>P.C. BOARD LAYOUT</p>	
<p>MODEL NO.</p> <p>SLB1281R5</p>	<p>1P2T</p>  <p>● = COMMON</p>		
 <p>RIGHT ANGLE ACTUATOR</p>	<p>SCHEMATIC</p> <p>MECHANICAL OUTLINE</p>	<p>P.C. BOARD LAYOUT</p>	
<p>MODEL NO.</p> <p>SLB1370</p>	<p>1P3T</p>  <p>● = COMMON</p>		
 <p>VERTICAL ACTUATOR</p>	<p>SCHEMATIC</p> <p>MECHANICAL OUTLINE</p>	<p>P.C. BOARD LAYOUT</p>	


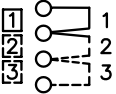
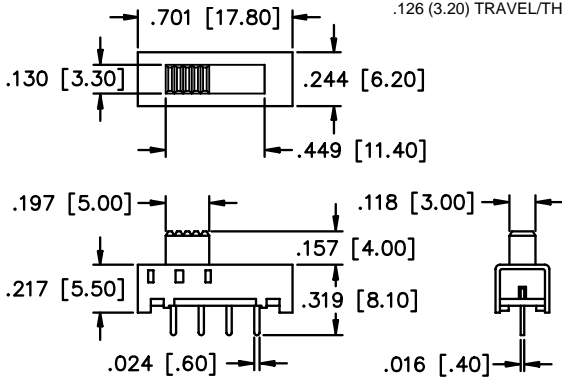
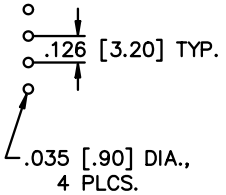

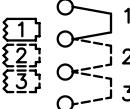
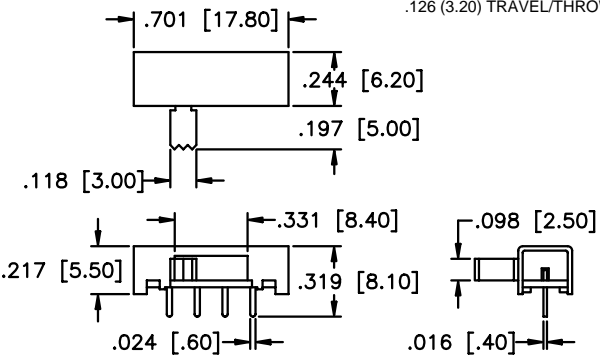
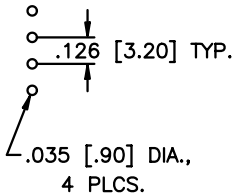
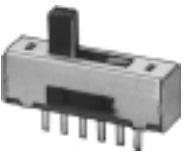
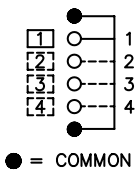
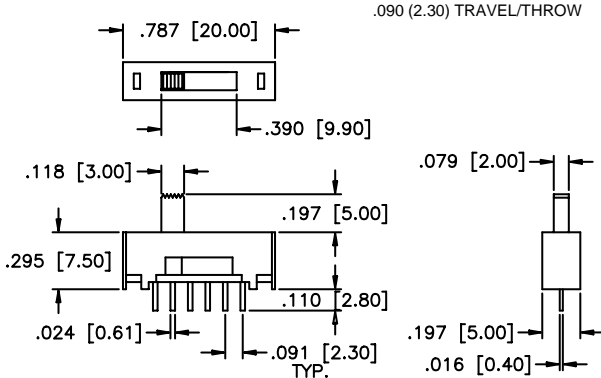
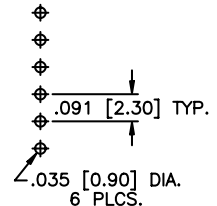

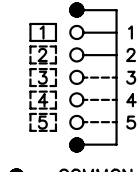
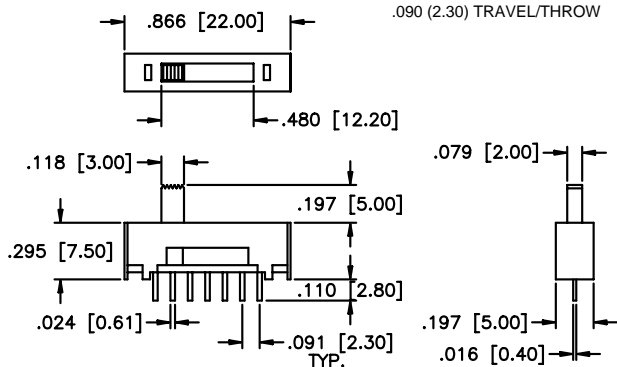
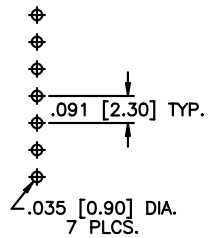
SPECIFICATIONS SUBJECT TO CHANGE WITHOUT NOTICE

SLB Series

(with p.c. board stand-off bracket)

Miniature Slide Switches

SPECIFICATIONS SUBJECT TO CHANGE WITHOUT NOTICE


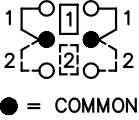
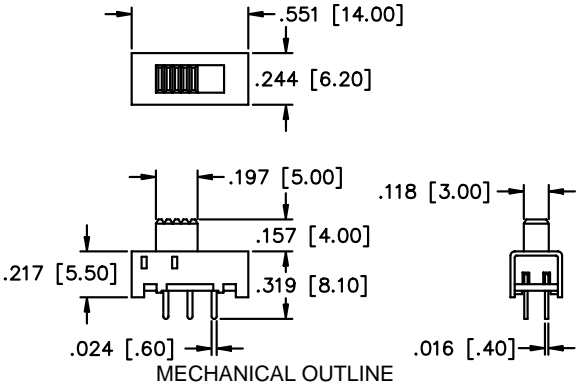
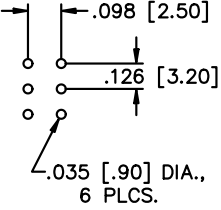

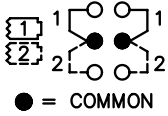
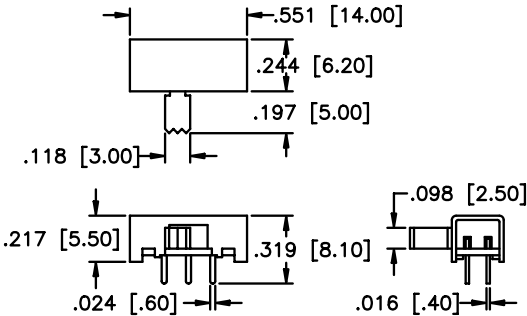
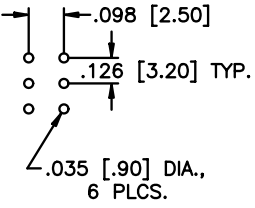

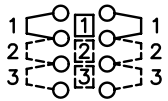
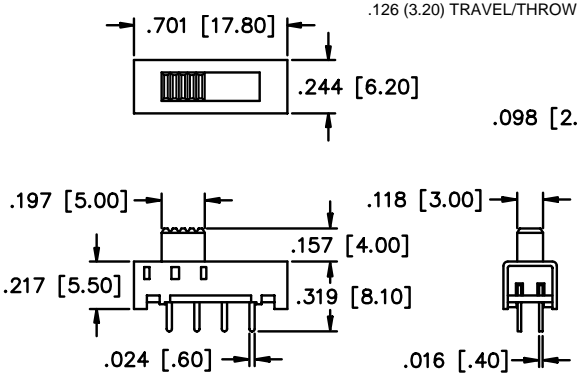
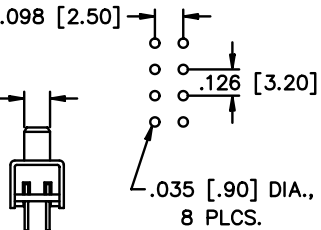

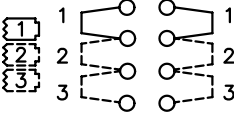
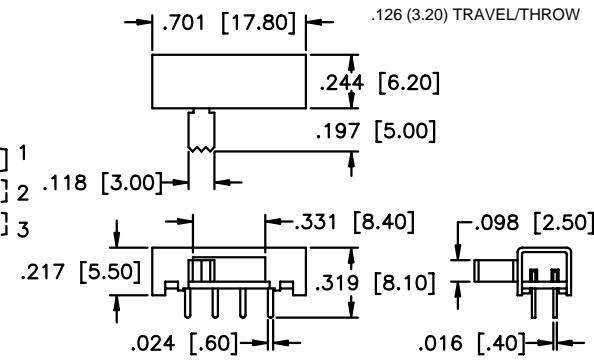
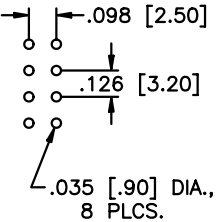
MODEL NO. SLB13814	1P3T	.126 (3.20) TRAVEL/THROW	
			
VERTICAL ACTUATOR	SCHEMATIC	MECHANICAL OUTLINE	P.C. BOARD LAYOUT
MODEL NO. SLB1381R5	1P3T	.126 (3.20) TRAVEL/THROW	
			
RIGHT ANGLE ACTUATOR	SCHEMATIC	MECHANICAL OUTLINE	P.C. BOARD LAYOUT
MODEL NO. SLB1470	1P4T	.090 (2.30) TRAVEL/THROW	
	 <p>● = COMMON</p>		
VERTICAL ACTUATOR	SCHEMATIC	MECHANICAL OUTLINE	P.C. BOARD LAYOUT
MODEL NO. SLB1570	1P5T	.090 (2.30) TRAVEL/THROW	
	 <p>● = COMMON</p>		
VERTICAL ACTUATOR	SCHEMATIC	MECHANICAL OUTLINE	P.C. BOARD LAYOUT

SLB Series

(with p.c. board stand-off bracket)

Miniature Slide Switches

SPECIFICATIONS SUBJECT TO CHANGE WITHOUT NOTICE

<p>MODEL NO.</p> <p>SLB22814</p>  <p>VERTICAL ACTUATOR</p>	<p>2P2T</p>  <p>● = COMMON</p> <p>SCHEMATIC</p>	 <p>MECHANICAL OUTLINE</p>	 <p>P.C. BOARD LAYOUT</p>
<p>MODEL NO.</p> <p>SLB2281R5</p>  <p>RIGHT ANGLE ACTUATOR</p>	<p>2P2T</p>  <p>● = COMMON</p> <p>SCHEMATIC</p>	 <p>MECHANICAL OUTLINE</p>	 <p>P.C. BOARD LAYOUT</p>
<p>MODEL NO.</p> <p>SLB23814</p>  <p>VERTICAL ACTUATOR</p>	<p>2P3T</p>  <p>SCHEMATIC</p>	 <p>MECHANICAL OUTLINE</p>	 <p>P.C. BOARD LAYOUT</p>
<p>MODEL NO.</p> <p>SLB2381R5</p>  <p>RIGHT ANGLE ACTUATOR</p>	<p>2P3T</p>  <p>SCHEMATIC</p>	 <p>MECHANICAL OUTLINE</p>	 <p>P.C. BOARD LAYOUT</p>


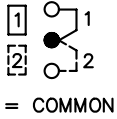
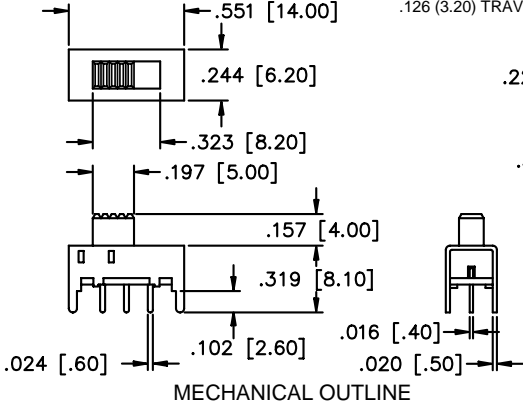
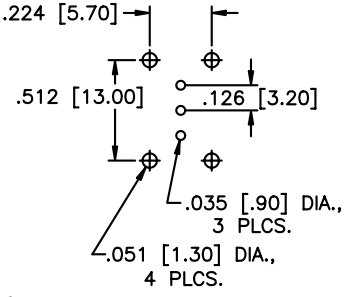


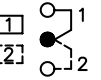
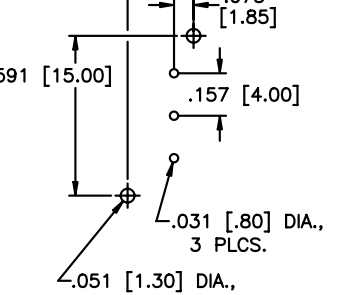

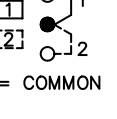
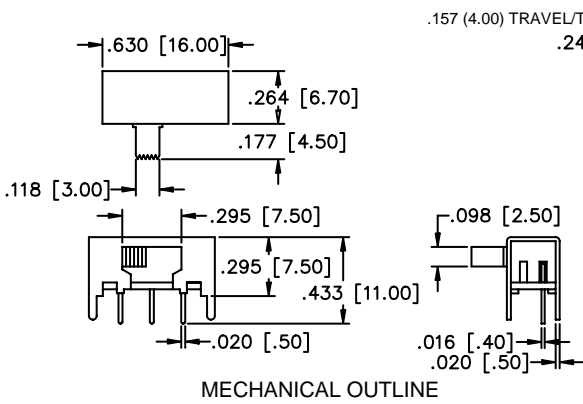
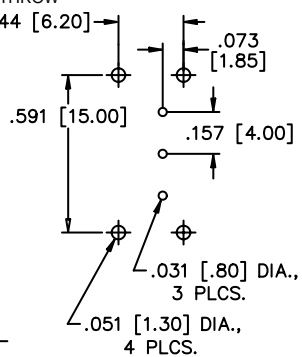
SLB Series

(with thru- p.c. board hole mounting bracket)

Miniature Slide Switches

SPECIFICATIONS SUBJECT TO CHANGE WITHOUT NOTICE

SPECIFICATIONS	FEATURES
<p>Contact ratings: 300 mA at 125 VAC or 30 VDC</p> <p>Initial contact resistance: 20 milliohms max.</p> <p>Insulation resistance: 100 megohms min. at 500 VDC</p> <p>Dielectric strength: 500 volts RMS for 1 minute</p> <p>Electrical life: 10,000 cycles min.</p> <p>Operating temperature range: -20°C to +85°C</p> <p>Actuation force: 220g ± 100g</p> <p>Solder heat resistance: 260°C max. for 3 seconds</p> <p>Solvent washing permissible</p>	<ul style="list-style-type: none"> ● Miniature compact size. ● Wash-through open frame construction. ● Positive spring loaded ball detent mechanism. ● Epoxy sealed terminals.
	MATERIALS
	<p>Contacts & terminals: Silver plated</p> <p>Frame: Zinc plated steel</p> <p>Actuator: Thermoplastic</p> <p>Base: Phenolic laminated sheet</p> <p style="text-align: right;">Terminal seal: Epoxy</p>


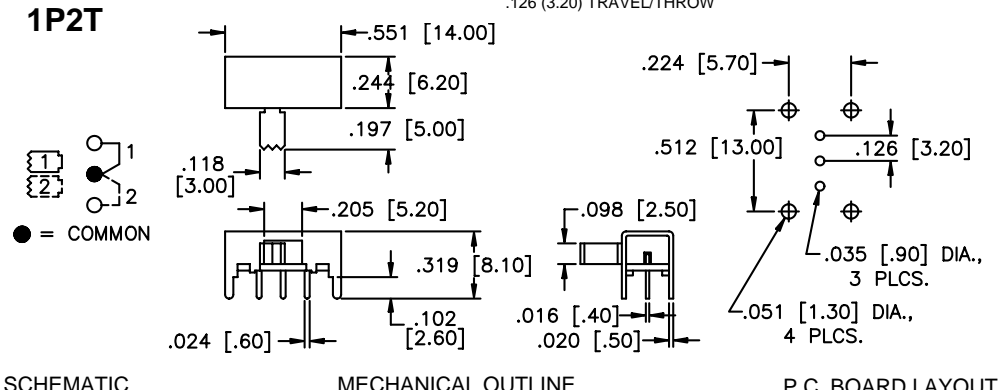

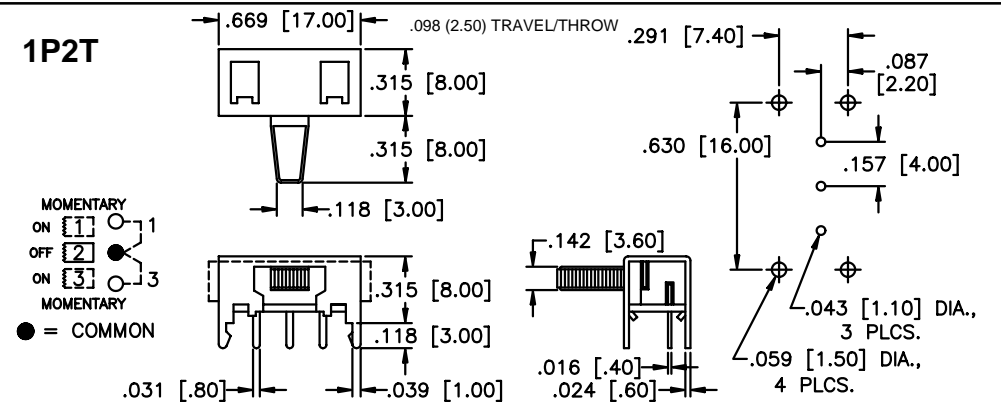
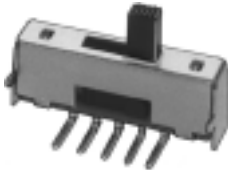
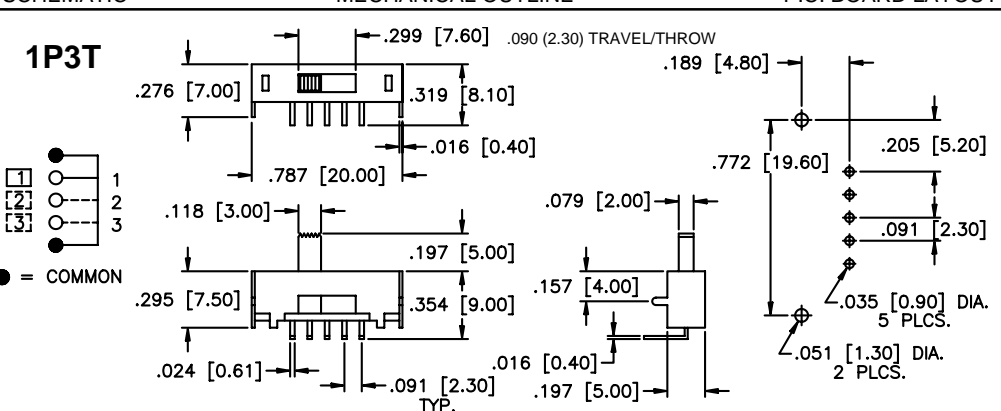

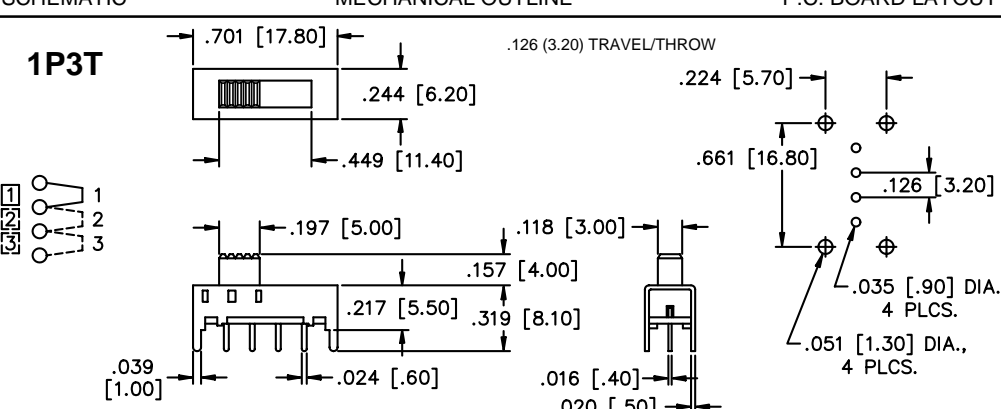
MODEL NO.			
SLB12804			
	<p>1P2T</p>  <p>● = COMMON</p>	 <p>MECHANICAL OUTLINE</p>	 <p>P.C. BOARD LAYOUT</p>
SLB124145			
	<p>1P2T</p>  <p>● = COMMON</p>	 <p>MECHANICAL OUTLINE</p>	 <p>P.C. BOARD LAYOUT</p>
SLB1240R45			
	<p>1P2T</p>  <p>● = COMMON</p>	 <p>MECHANICAL OUTLINE</p>	 <p>P.C. BOARD LAYOUT</p>

SLB Series

(with thru-p.c. board hole mounting bracket)

Miniature Slide Switches

SPECIFICATIONS SUBJECT TO CHANGE WITHOUT NOTICE




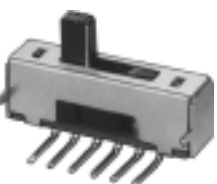

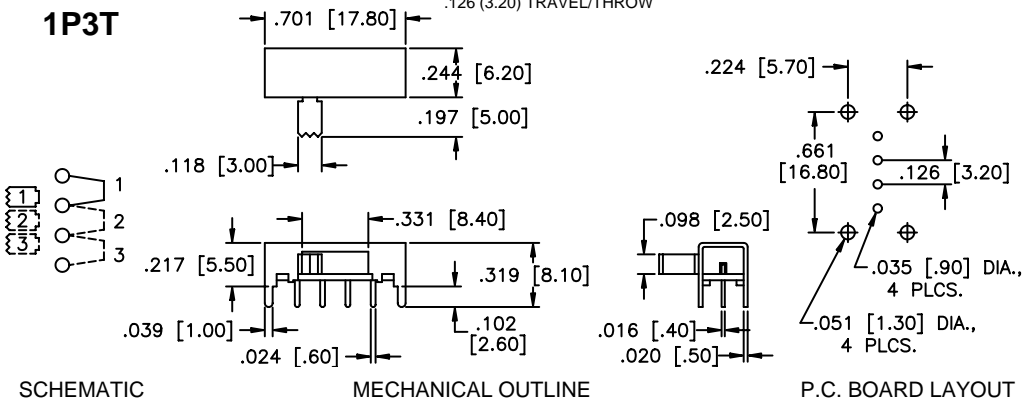
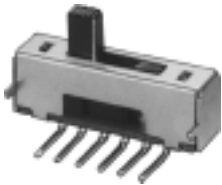
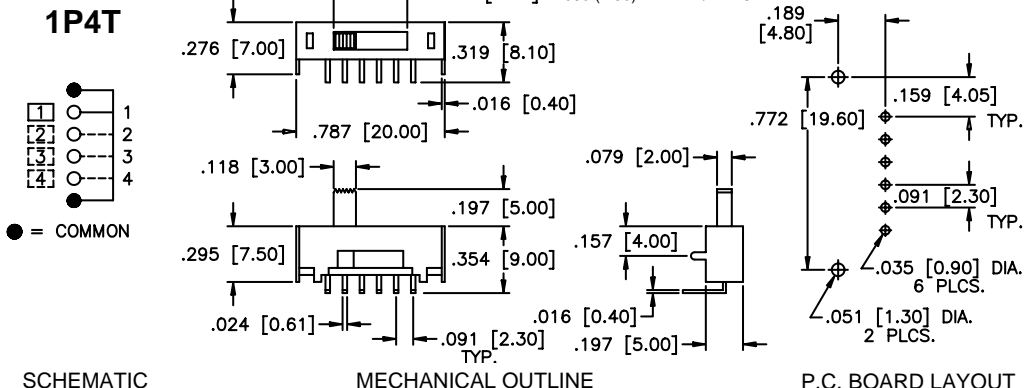
<p>MODEL NO.</p> <p style="color: red;">SLB1280R5</p>  <p>RIGHT ANGLE ACTUATOR</p>	<p style="text-align: right;">.126 (3.20) TRAVEL/THROW</p> <p>1P2T</p>  <p style="text-align: center;">SCHEMATIC MECHANICAL OUTLINE P.C. BOARD LAYOUT</p>
<p>MODEL NO.</p> <p style="color: red;">SLB1250R8</p>  <p>RIGHT ANGLE ACTUATOR</p>	<p style="text-align: right;">.098 (2.50) TRAVEL/THROW</p> <p>1P2T</p>  <p style="text-align: center;">SCHEMATIC MECHANICAL OUTLINE P.C. BOARD LAYOUT</p>
<p>MODEL NO.</p> <p style="color: red;">SLB1370R</p>  <p>RIGHT ANGLE ACTUATOR</p>	<p style="text-align: right;">.090 (2.30) TRAVEL/THROW</p> <p>1P3T</p>  <p style="text-align: center;">SCHEMATIC MECHANICAL OUTLINE P.C. BOARD LAYOUT</p>
<p>MODEL NO.</p> <p style="color: red;">SLB1380A</p>  <p>VERTICAL ACTUATOR</p>	<p style="text-align: right;">.126 (3.20) TRAVEL/THROW</p> <p>1P3T</p>  <p style="text-align: center;">SCHEMATIC MECHANICAL OUTLINE P.C. BOARD LAYOUT</p>

SLB Series

(with thru-p.c. board hole mounting bracket)

Miniature Slide Switches

SPECIFICATIONS SUBJECT TO CHANGE WITHOUT NOTICE

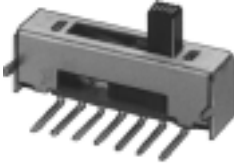
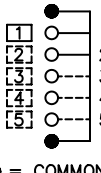
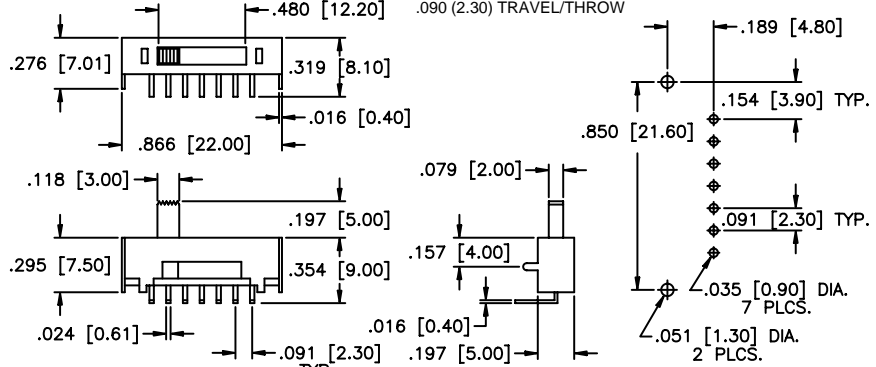

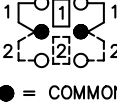
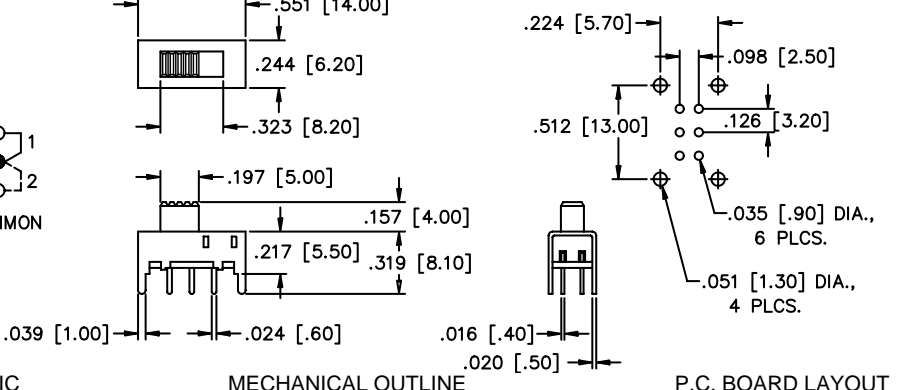
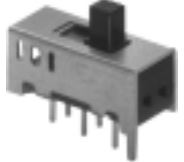
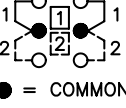
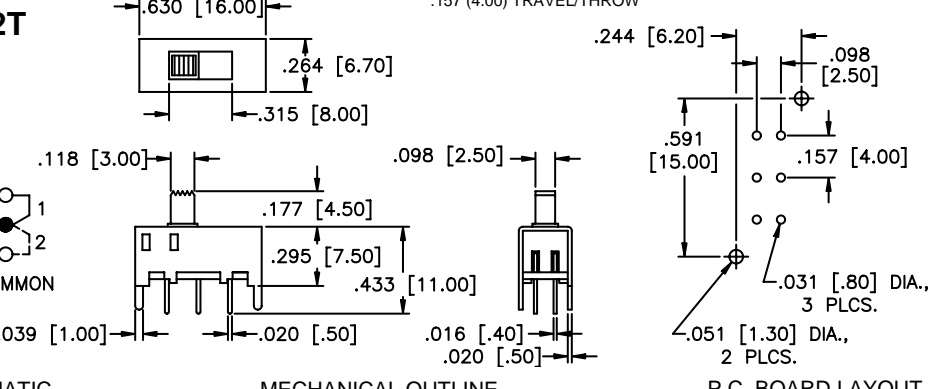

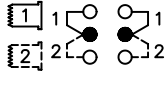
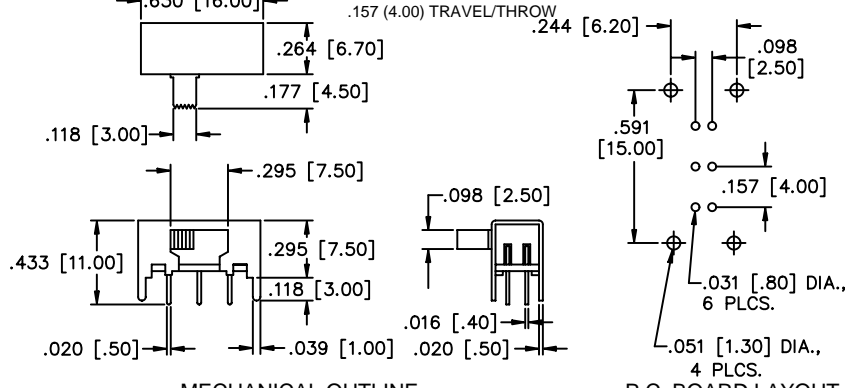
<p>MODEL NO. SLB134145</p>  <p>VERTICAL ACTUATOR</p>	<p>1P3T</p>  <p>SCHMATIC MECHANICAL OUTLINE P.C. BOARD LAYOUT</p>
<p>MODEL NO. SLB1340R45</p>  <p>RIGHT ANGLE ACTUATOR</p>	<p>1P3T</p>  <p>SCHMATIC MECHANICAL OUTLINE P.C. BOARD LAYOUT</p>
<p>MODEL NO. SLB1380R5</p>  <p>RIGHT ANGLE ACTUATOR</p>	<p>1P3T</p>  <p>SCHMATIC MECHANICAL OUTLINE P.C. BOARD LAYOUT</p>
<p>MODEL NO. SLB1470R</p>  <p>RIGHT ANGLE ACTUATOR</p>	<p>1P4T</p>  <p>SCHMATIC MECHANICAL OUTLINE P.C. BOARD LAYOUT</p>

SLB Series

(with thru-p.c. board hole mounting bracket)

Miniature Slide Switches


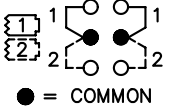
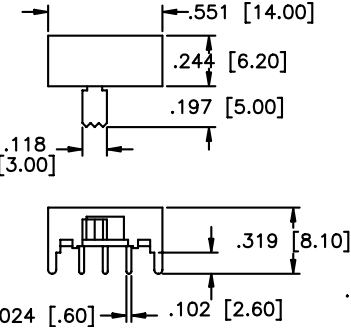
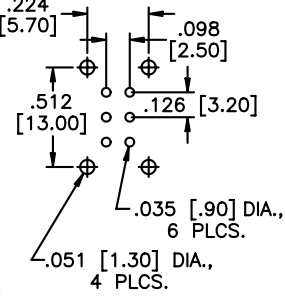

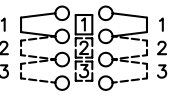
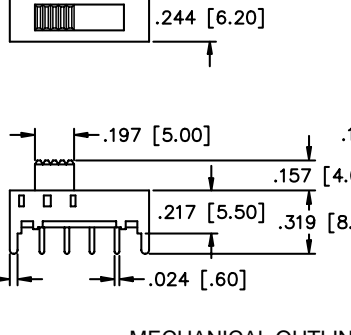
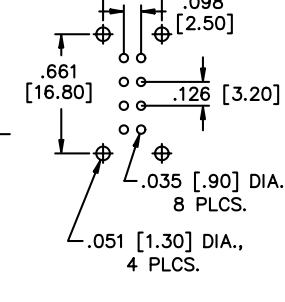
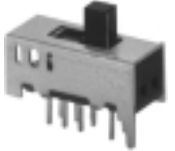
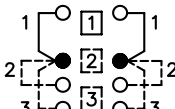
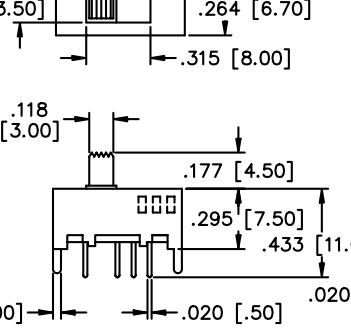
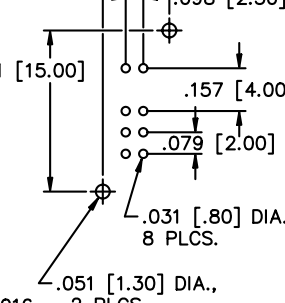

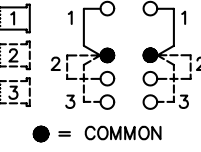
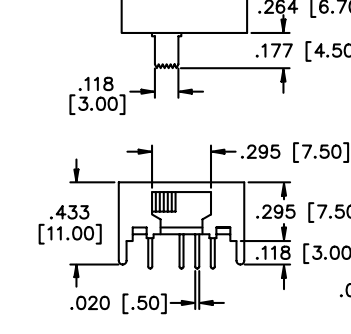
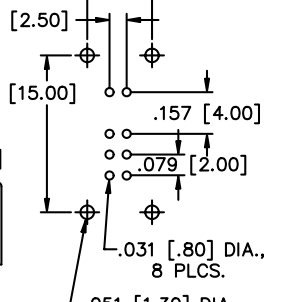
SPECIFICATIONS SUBJECT TO CHANGE WITHOUT NOTICE

<p>MODEL NO. SLB1570R</p>  <p>RIGHT ANGLE ACTUATOR</p>	<p>1P5T</p>  <p>● = COMMON</p>  <p>SCHEMATIC MECHANICAL OUTLINE P.C. BOARD LAYOUT</p>
<p>MODEL NO. SLB22804</p>  <p>VERTICAL ACTUATOR</p>	<p>2P2T</p>  <p>● = COMMON</p>  <p>SCHEMATIC MECHANICAL OUTLINE P.C. BOARD LAYOUT</p>
<p>MODEL NO. SLB224145</p>  <p>VERTICAL ACTUATOR</p>	<p>2P2T</p>  <p>● = COMMON</p>  <p>SCHEMATIC MECHANICAL OUTLINE P.C. BOARD LAYOUT</p>
<p>MODEL NO. SLB2240R45</p>  <p>RIGHT ANGLE ACTUATOR</p>	<p>2P2T</p>  <p>● = COMMON</p>  <p>SCHEMATIC MECHANICAL OUTLINE P.C. BOARD LAYOUT</p>

SLB Series

(with thru-p.c. board hole mounting bracket)
Miniature Slide Switches

SPECIFICATIONS SUBJECT TO CHANGE WITHOUT NOTICE

MODEL NO.	.126 (3.20) TRAVEL/THROW		
SLB2280R5	2P2T		
 <p>RIGHT ANGLE ACTUATOR</p>	 <p>● = COMMON</p>	 <p>MECHANICAL OUTLINE</p>	 <p>P.C. BOARD LAYOUT</p>
MODEL NO.	.126 (3.20) TRAVEL/THROW		
SLB23804	2P3T		
 <p>VERTICAL ACTUATOR</p>		 <p>MECHANICAL OUTLINE</p>	 <p>P.C. BOARD LAYOUT</p>
MODEL NO.	.126 (3.20) TRAVEL/THROW		
SLB234145	2P3T		
 <p>VERTICAL ACTUATOR</p>	 <p>● = COMMON</p>	 <p>MECHANICAL OUTLINE</p>	 <p>P.C. BOARD LAYOUT</p>
MODEL NO.	.079 (2.00) TRAVEL/THROW		
SLB2340R45	2P3T		
 <p>RIGHT ANGLE ACTUATOR</p>	 <p>● = COMMON</p>	 <p>MECHANICAL OUTLINE</p>	 <p>P.C. BOARD LAYOUT</p>