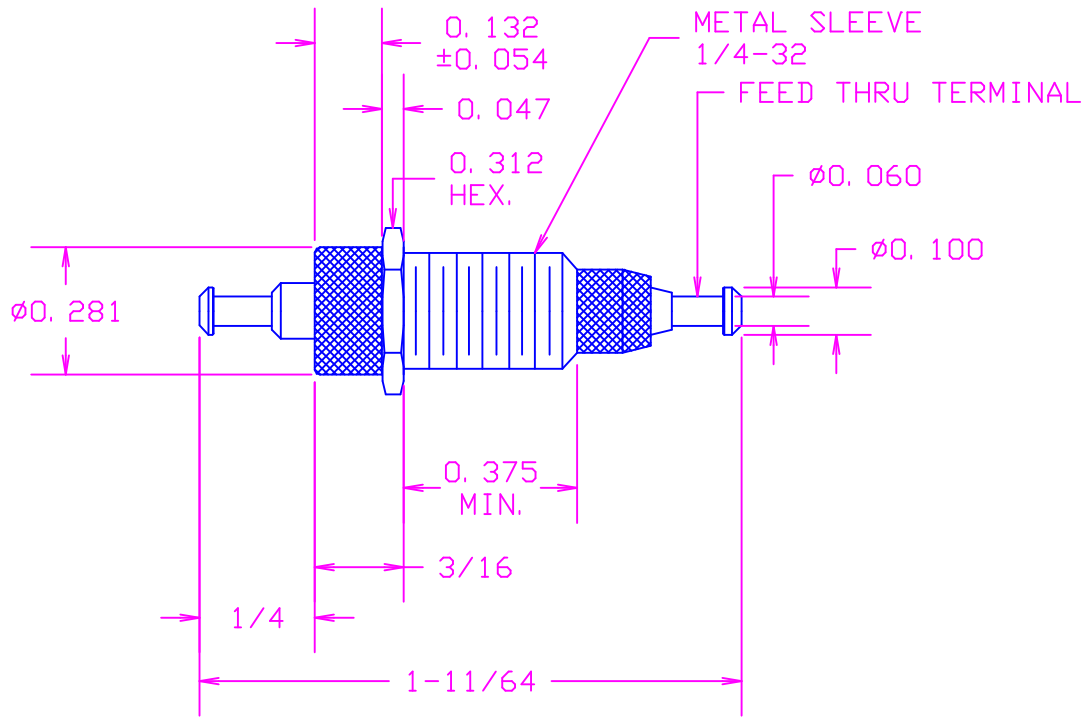


DATE	SYM	REVISION RECORD	AUTH.	DR.	CK.
2/12/98	-	ISSUED		NT	GW



MATERIAL: PIN- BRASS PER ASTM B16,
ALLOY C 36000, 1/2 HARD

BUSHING- NYLON

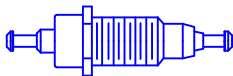
SLEEVE- BRASS

FINISH: PIN- .0003"MIN. BRIGHT TIN PER

MIL-T-10727, TYPE I. OVER .0001"MIN. COPPER

SLEEVE- NICKEL PLATED

ACTUAL SIZE



COLOR CODE: 10-BLK, 11-BRN, 12-RED, 13-ORN, 14-YEL
15-GRN, 16-BLU, 17-PUR, 18-GRY, 19-WHT

SUPPLIED UNASSEMBLED : HEX. NUT, TOOTH WASHER

TOLERANCES	CONCORD ELECTRONICS CORPORATION		
DECIMAL $\pm .010$	P/N	SCALE	30 GREAT JONES ST. NEW YORK N. Y. 10012
FRACTIONAL $\pm 1/64$	TITLE FEED THRU TERMINAL		
ANGULAR $\pm 5^\circ$	DATE 2-12-98	DRAWING NUMBER 09-9112-044XX	