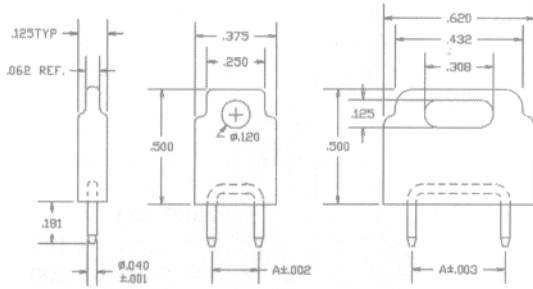


SHORTING PLUGS & JACKS - PHONE TIP

09-3010-X-03XX INSULATED SHORTING PLUGS WITH .040 DIA. PIN

BASIC PART NO FINISH COLOR

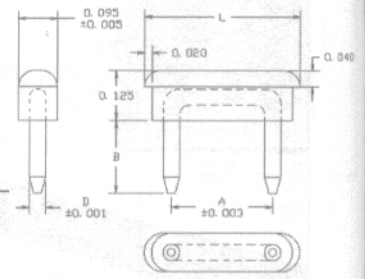


PART NUMBER	"A"	09-3010	09-3011
09-3010-1-03XX	.200		
09-3010-2-03XX	.250		
09-3011-1-03XX	.400		
09-3011-2-03XX	.500		

COMPONENT	MATERIAL	FINISH	INSULATION COLOR	
INSULATION	POLYPROPYLENE	-	-10	BLACK
PIN	BRASS	GOLD PLATING	-12	RED
			-16	BLUE

09-3002-X-03XX INSULATED SHORTING PLUGS

BASIC PART NO FINISH COLOR

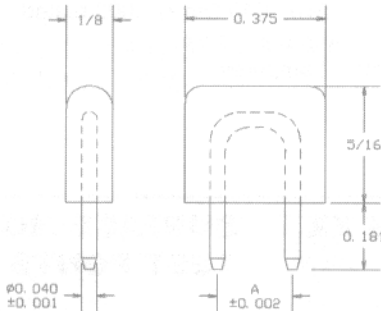


BASIC PART NO.	A	L	D±.001 B	
09-3002-1	.200	.334	.040	.181
-2	.250	.384	.040	.181
-3	.300	.434	.040	.181
-4	.400	.534	.040	.181
-5	.500	.634	.040	.181
09-3006-1	.200	.334	.025	.125
-2	.250	.384	.025	.125
-3	.300	.434	.025	.125
-4	.400	.534	.025	.125
-5	.500	.634	.025	.125

COMPONENT	MATERIAL	FINISH	INSULATION COLOR	
INSULATION	POLYPROPYLENE	-	-10	BLACK
PIN	BRASS	GOLD PLATING	-12	RED
			-16	BLUE

09-3014-X-03XX INSULATED SHORTING PLUGS WITH .040 DIA. PIN

BASIC PART NO FINISH COLOR



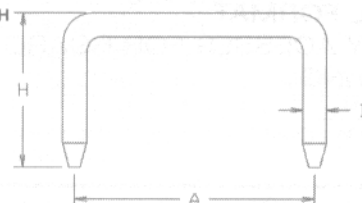
PART NUMBER	"A"	09-3014	09-3015
09-3014-1-03XX	.200		
09-3015-1-03XX	.250		

COMPONENT	MATERIAL	FINISH	INSULATION COLOR	
INSULATION	POLYPROPYLENE	-	-10	BLACK
PIN	BRASS	GOLD PLATING	-12	RED

SHORTING PLUGS NON-INSULATED SHORTING PLUGS

09-3001-X-03 09-3004-X-03

BASIC PART NO FINISH

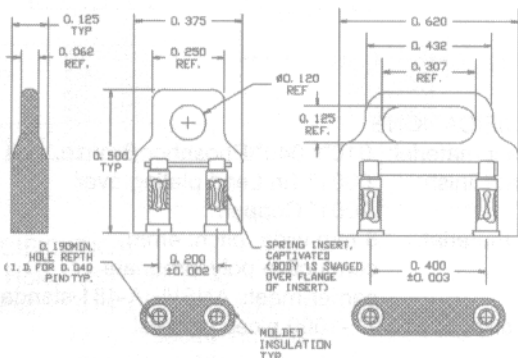


GOLD PLATED

PART NO.	D	A	H
09-3001-1-03	.040	.200	.261±.010
09-3001-2-03	.040	.250	.261±.010
09-3001-3-03	.040	.300	.261±.010
09-3001-4-03	.040	.400	.261±.010
09-3001-5-03	.040	.500	.261±.010
09-3004-1-03	.025	.200	.200±.010
09-3004-2-03	.025	.250	.200±.010
09-3004-3-03	.025	.300	.200±.010
09-3004-4-03	.025	.400	.200±.010
09-3004-5-03	.025	.500	.200±.010

09-3020-X-06XX INSULATED SHORTING PLUG WITH .040 DIA. PIN

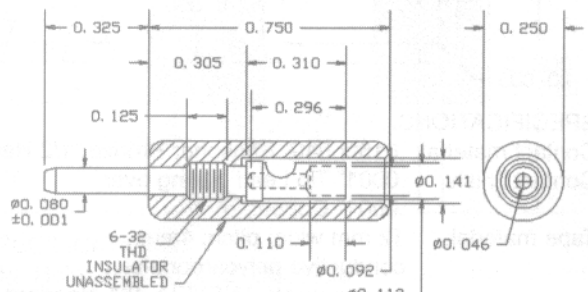
BASIC PART NO FINISH COLOR



COMPONENT	MATERIAL	FINISH	INSULATION COLOR	
INSULATION	POLYPROPYLENE	-	-10	BLACK
JACK BODY	BRASS	TIN PLATED	-12	RED
JACK SPRING	BERYLLIUM COPPER	GOLD PLATED	-16	BLUE
STRAP	COPPER	TINNED		

01-2150-1-03XX .080 DIA. PIN FOR PATCH CORD ASSEMBLY INSULATED HANDLE

BASIC PART NO FINISH COLOR



FOR USE ONLY WITH #22 AWG 7 STRAND #30 COPPER WIRE .054 MAX. DIA. OVER INSULATION.

COMPONENT	MATERIAL	FINISH	INSULATION COLOR	
INSULATION	PLASTIC	-	-10	BLACK
PIN	BRASS	GOLD PLATING	-12	RED
			-16	BLUE

