

# THREADED HARDWARE

## THREADED THREAD MOUNT

09-019X-1-01

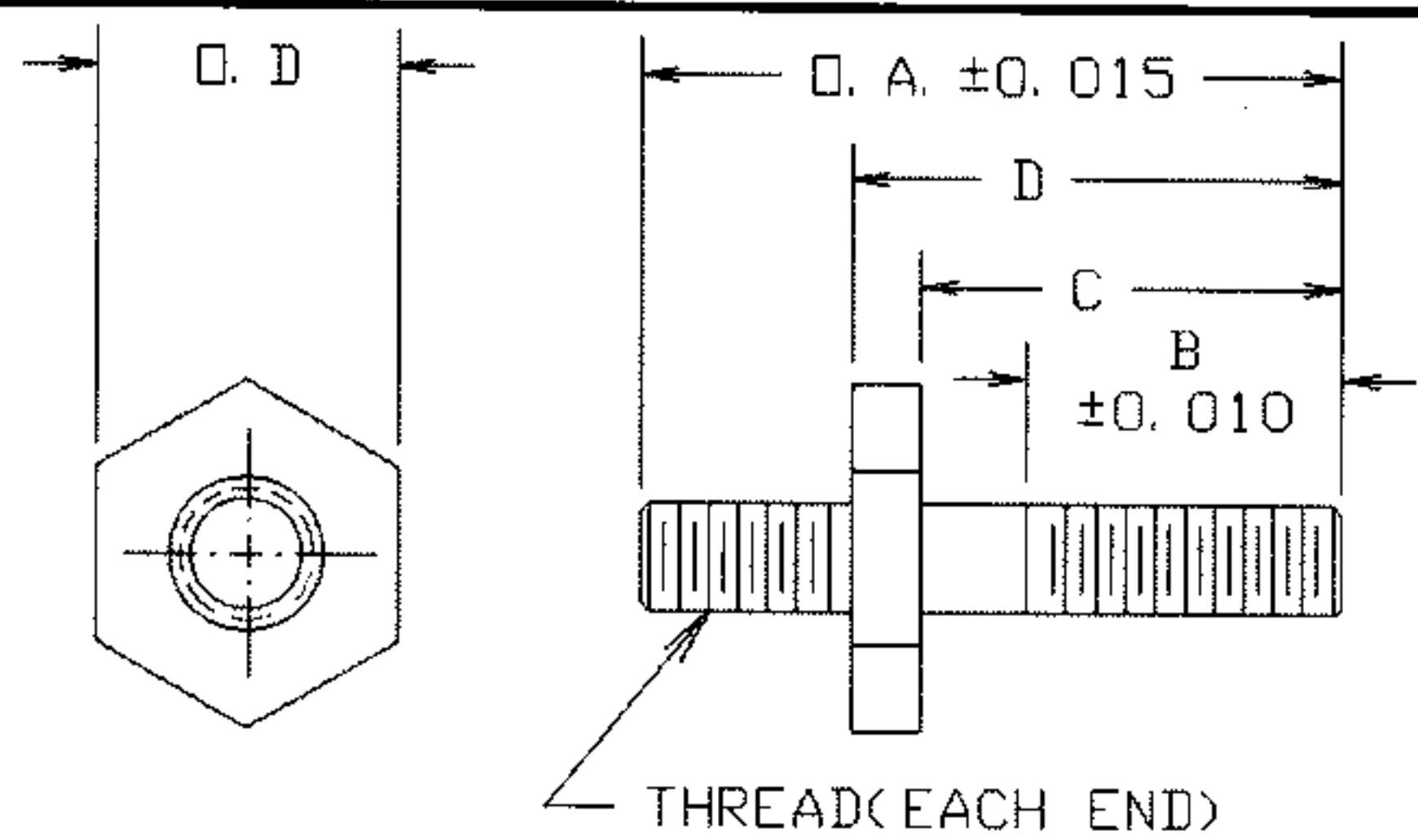
SILVER PLATED

09-019X-1-044

BRIGHT TIN PLATED

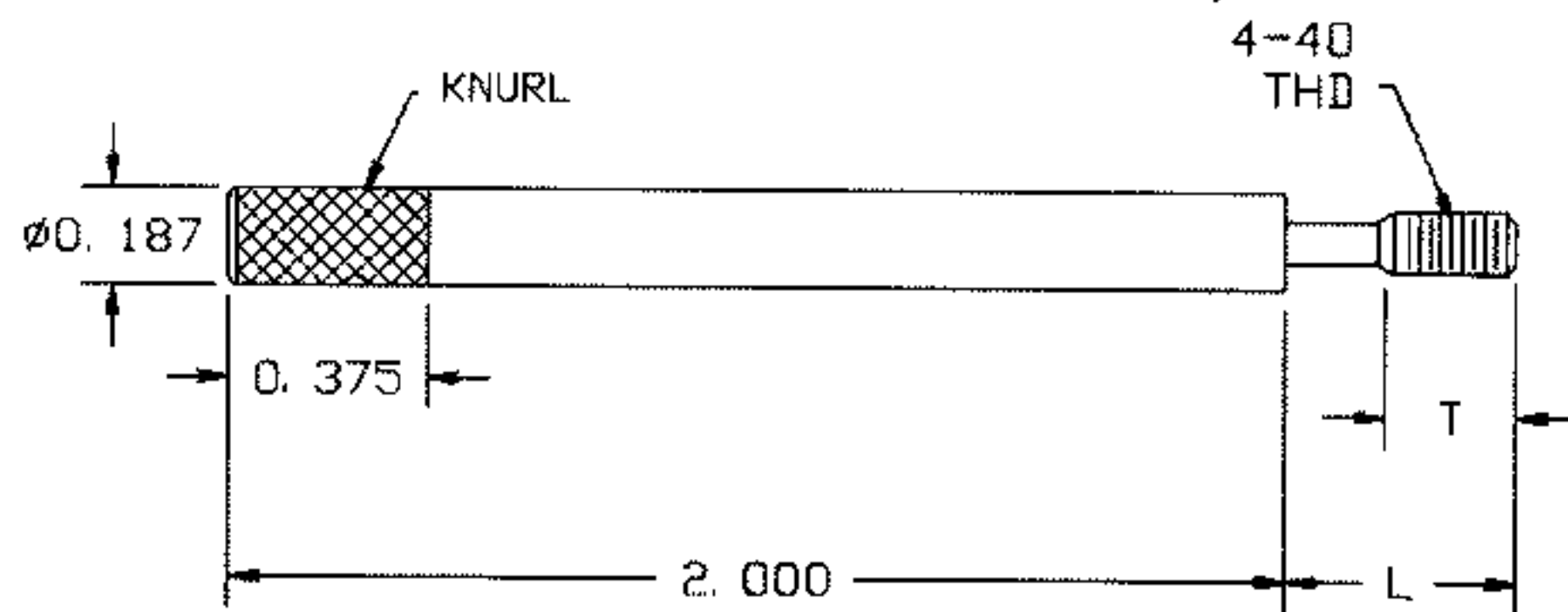
MATERIAL: Brass per QQ-B-626, Alloy 360

PART NO	THREAD	O.A.	O.D.	B	C	D
09-0195-1	6-32 NC-2A	1.125	.500	.500	.688	.812
09-0196-1	10-32 NF-2A	1.250	.625	.562	.750	.875
09-0197-1	10-32 NF-2A	1.250	.438	.562	.750	.875
09-0198-1	1/4-28 UNF-2A	1.438	.562	.750	.938	1.062
09-0199-1	3/8-24 UNF-2A	1.906	.875	1.031	1.156	1.344



THREAD (EACH END)

## 90-94XX JACK SCREW - TURNABLE (WITHOUT SCREWDRIVER SLOT)

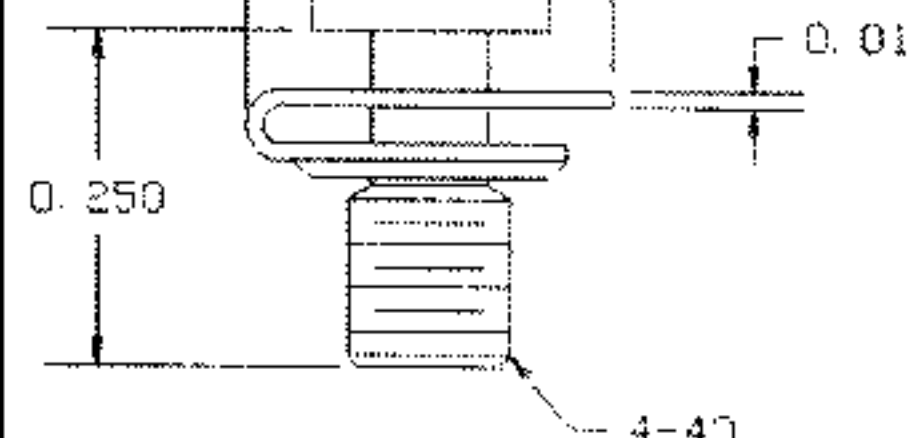


MATERIAL: STEEL  
FINISH: BLACK OXIDE

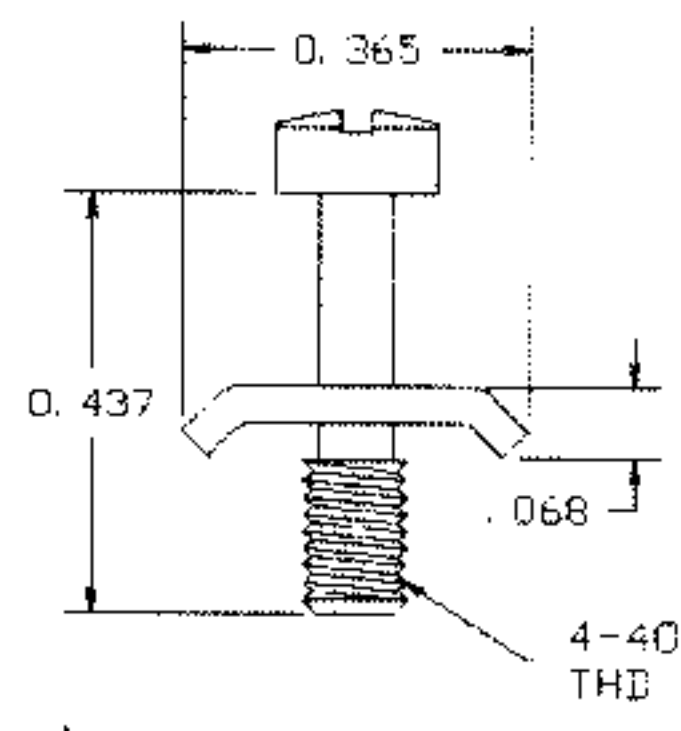
PART NO.	L	T
90-9411	.250	.125
90-9412	.437	.250

## 40-40XX MOUNTING HARDWARE (SUPPLIED UNASSEMBLED)

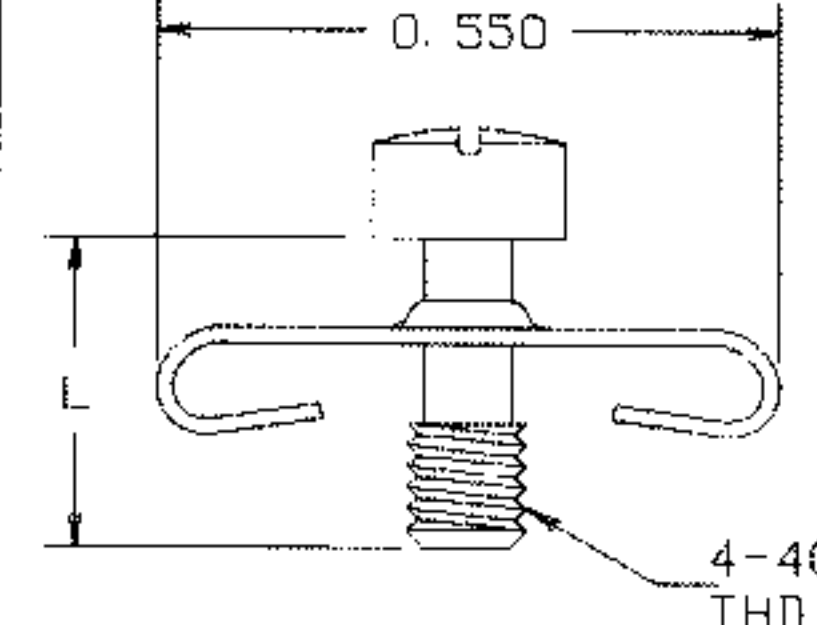
MATERIAL: CLIP AND SCREW - STEEL  
FINISH: CLIP AND SCREW - ZINC YELLOW



"U" CLIP  
40-4071

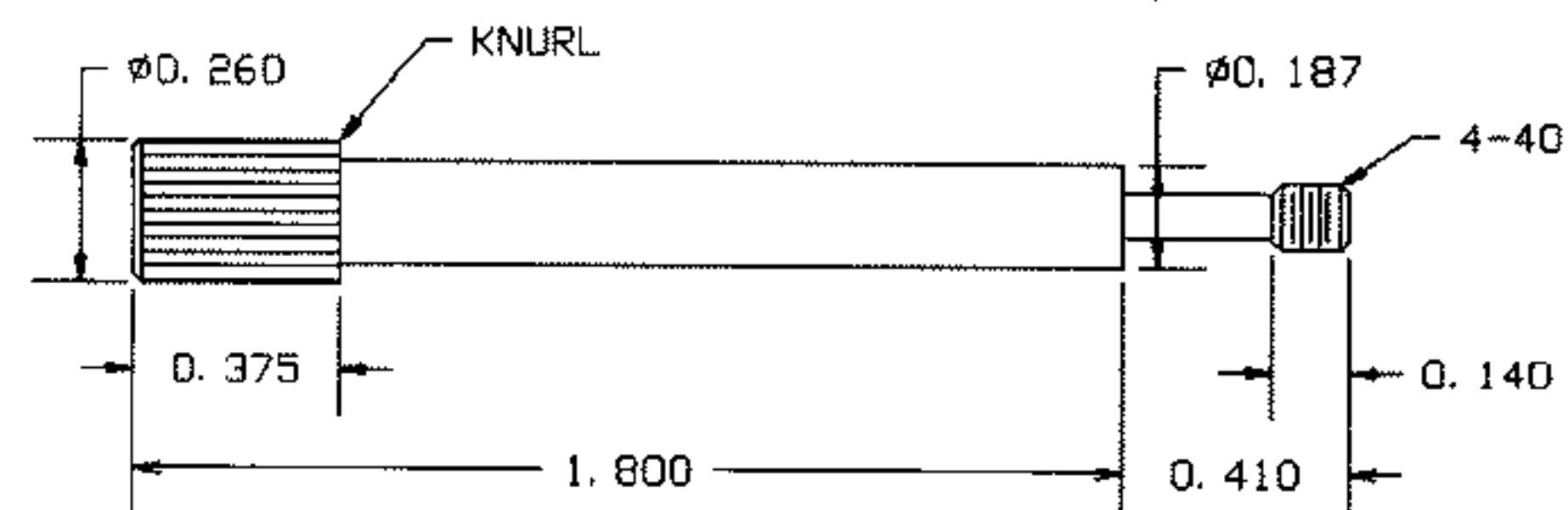


SADDLE WASHER  
40-4072



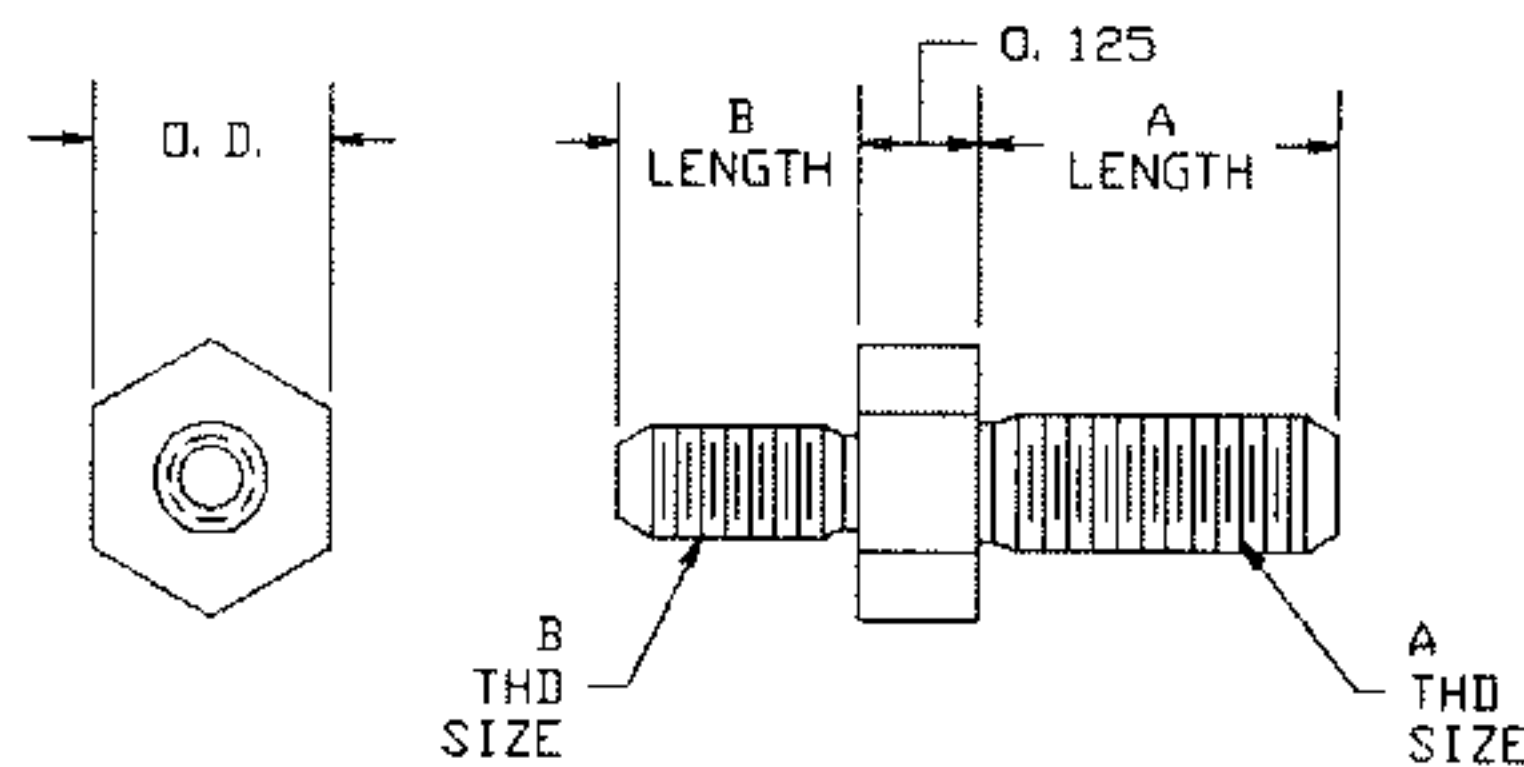
"BOW TIE"  
RETAINING CLIP  
"L"  
40-4073 4-40x1/4  
40-4074 4-40x9/32

## 90-9410 STRAIGHT KNURL (WITH SCREWDRIVER SLOT)



MATERIAL: STEEL  
FINISH: CLEAR ZINC PLATE

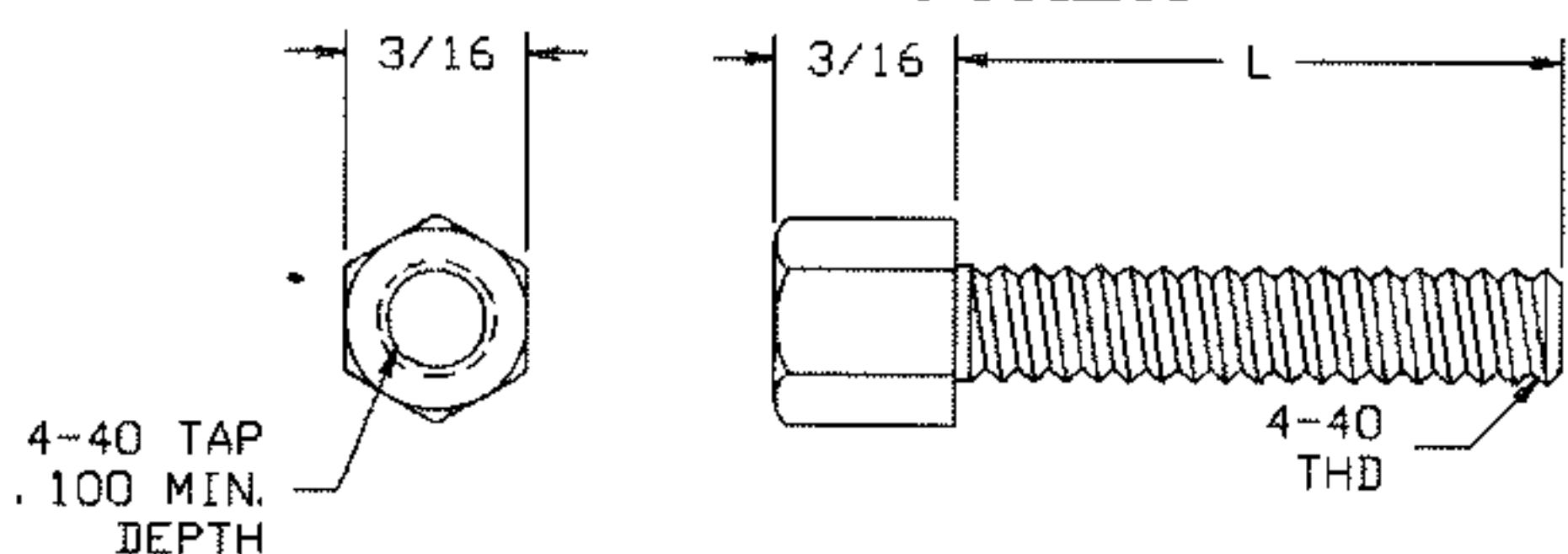
## BRASS HEX MALE/FEMALE ADAPTER



MATERIAL: BRASS PER ASTM B16  
FINISH: NICKEL PLATED

PART NO.	O.D.	THD A	LENGTH A	THD B	LENGTH B
558-7900	.250	4-40	.187	4-40	.187
558-7901	.250	6-32	.250	4-40	.187
558-7902	.250	6-32	.250	6-32	.250
558-7903	.250	8-32	.375	6-32	.250
558-7904	.250	8-32	.375	8-32	.375
558-7905	.250	10-32	.375	8-32	.375
558-7906	.312	10-32	.375	8-32	.375
558-7907	.312	10-32	.375	10-32	.375

## "D" SUBMINIATURE CONNECTOR MOUNTING SCREW



MATERIAL: STEEL PER ASTM A108-81

\*Supplied with hardware (bulk packed unassembled). Hardware consists of two flat washers, one lockwasher and hex nut per mounting screw.

ZINC WITH YELLOW IRRIDITE		ZINC WITH CLEAR PROTECTIVE COATING		L
WITHOUT HARDWARE	WITH HARDWARE*	WITHOUT HARDWARE	WITH HARDWARE*	
460S-0007-073	460S-0008-073	460S-0007-072	460S-0008-072	.188
460S-0005-073	460S-0006-073	460S-0005-072	460S-0006-072	.250
460S-0001-073	460S-0002-073	460S-0001-072	460S-0002-072	.312
460S-0009-073	460S-0010-073	460S-0009-072	460S-0010-072	.375
460S-0011-073	460S-0012-073	460S-0011-072	460S-0012-072	.437
460S-0013-073	460S-0014-073	460S-0013-072	460S-0014-072	.500
460S-0015-073	460S-0016-073	460S-0015-072	460S-0016-072	.562
460S-0003-073	460S-0004-073	460S-0003-072	460S-0004-072	.625

FOR ADDITIONAL SIZES AND MATERIALS, CONTACT FACTORY

