

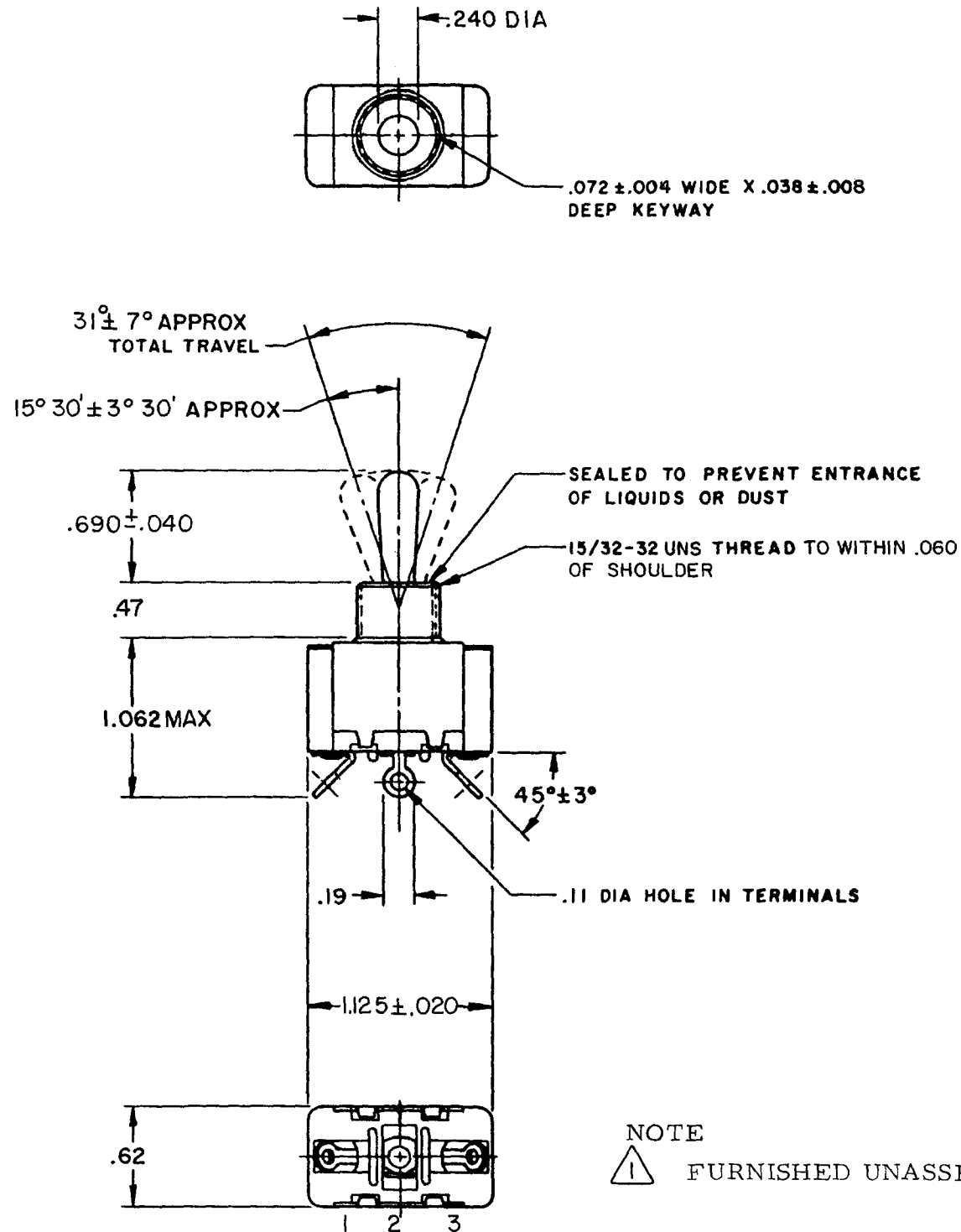
**MICRO SWITCH**  
 FREEPORT ILLINOIS U.S.A.  
 A DIVISION OF HONEYWELL  
 FED. MFG. CODE 91929

**SWITCH-TOGGLE**

CATALOG LISTING  
**11TS11 SERIES**  
**CHART 1**

THIS DRAWING COVERS A PROPRIETARY ITEM AND IS THE PROPERTY OF MICRO SWITCH, A DIVISION OF MINNEAPOLIS-HONEYWELL REGULATOR CO. THIS DRAWING IS NOT TO BE COPIED OR USED WITHOUT THE APPROVAL OF MICRO SWITCH.

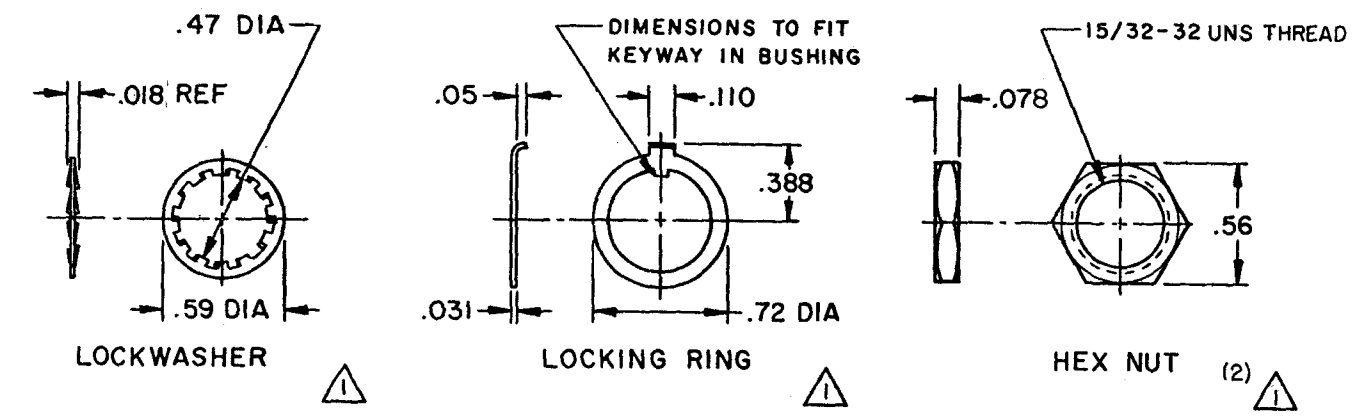
CATALOG LISTING  
**11TS11 SERIES CHART 1**  
 PAGE 1 OF 1  
 RELEASE NO. C029429  
 REPLACES  
 ISSUE **M**  
**13**  
 REVISIONS  
 A 204980 JLH 28 FEB 02  
 JMB 28 OCT 72  
 L S D 8 SEPT 72  
 DRAWN  
 RASTER  
 FO-52854



CAT. LIST.	CIRCUIT WITH TOGGLE IN		
	1-2 EXTREME POSITION KEYWAY SIDE	CENTER	2-3 EXTREME POSITION OPPOSITE SIDE
11TS11-1	ON	OFF	ON
11TS11-2	OFF	NONE	ON
11TS11-3	ON	NONE	ON
11TS11-21	NONE	OFF	ON
11TS11-4	MOM OFF	NONE	ON
Ⓚ	MOM ON	OFF	ON
11TS11-6	MOM ON	NONE	OFF
11TS11-7	MOM ON	OFF	MOM ON
11TS11-8	MOM ON	NONE	ON
Ⓝ	MOM ON	OFF	NONE

15A-125, 250 OR 277 VAC  
 1/2HP-125VAC; 1HP-250, 277VAC  
 5A-125VAC "L" CODE L191

10A-125, 250, 277 VAC  
 1/4HP-125VAC; 1/2HP-250, 277 VAC  
 3A-125VAC "L" CODE L192



NOTE  
 ⚠ FURNISHED UNASSEMBLED

SCALE FULL  
 DO NOT SCALE PRINT  
 UNLESS OTHERWISE NOTED  
 DIMENSIONS ARE IN INCHES  
**TOLERANCES ARE:**  
 ONE PLACE .10 ± .030  
 TWO PLACE .001 ± .015  
 THREE PLACE .000 ± .005  
 ANGLES ± .005  
 WEIGHT .08 LB.