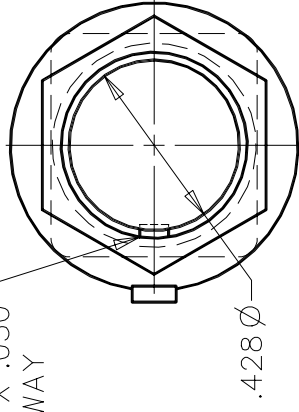


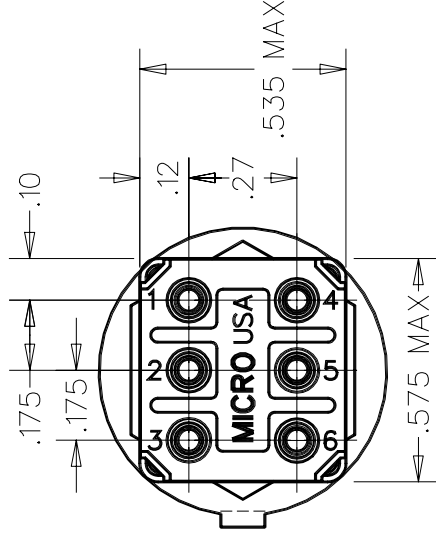
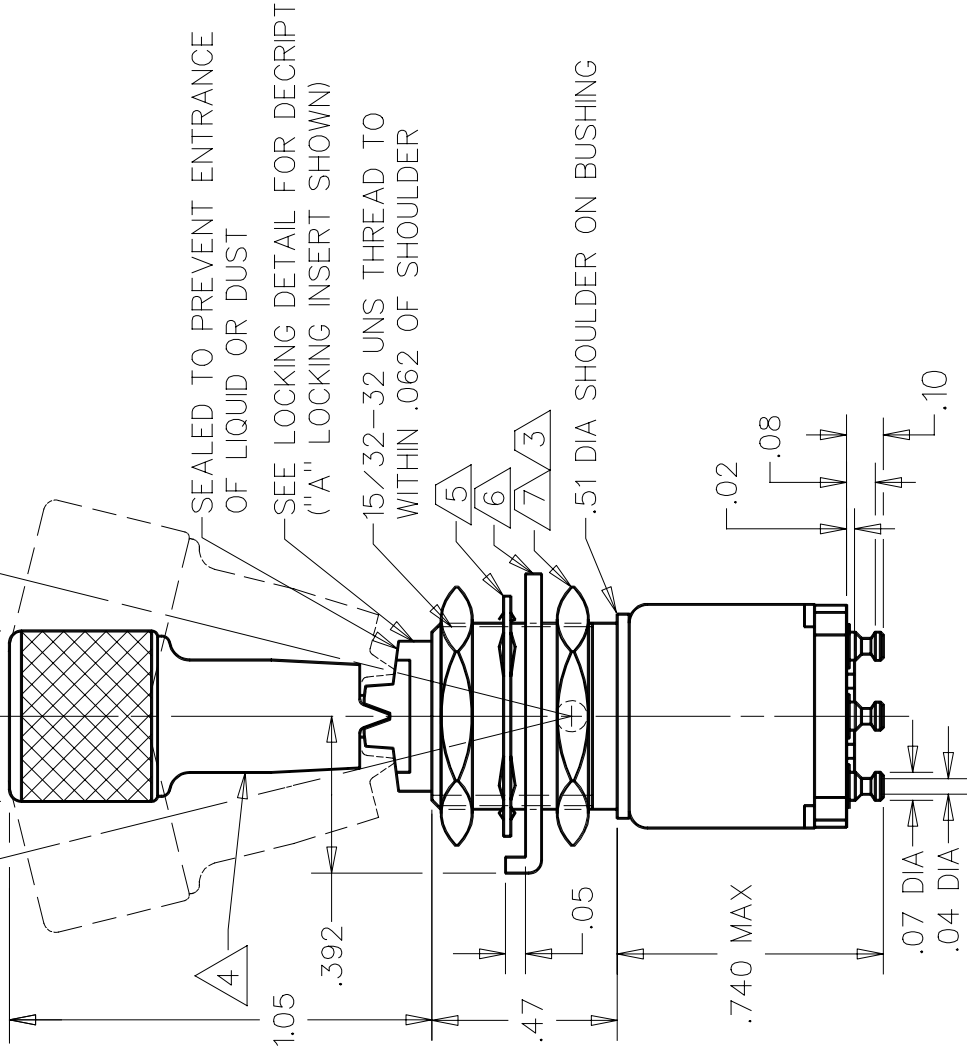
.072 WIDE X .030 DEEP KEYWAY



4.28 Ø

.090 APPROX PULLOUT TO CHANGE POSITION

28°±4°
TOTAL TRAVEL



12TW49 SERIES
CHART 1

M

DRAWING NUMBER

ISSUE 14

RELEASE NO.

REPLACES

CHECK

REVISIONS

A CO 62906
DJS
26 APR 88

CHECK

CHECK

DJS 27APR88

DJM/CAD
DRAWN

THIS DRAWING COVERS A PROPRIETARY ITEM AND IS THE PROPERTY OF MICRO SWITCH. A DIVISION OF HONEYWELL. THIS DRAWING IS NOT TO BE COPIED OR USED WITHOUT THE APPROVAL OF MICRO SWITCH

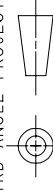
CAT. LIST.	RECOMMENDED LOCKING COMBINATIONS	CIRCUIT WITH TOGGLE IN			ELECTRICAL DATA
		EXTREME POSITION (KEYWAY SIDE)	CENTER	EXTREME POSITION (OPPOSITE KEYWAY)	
2		2-1, 5-4	1-2, 4-5	2-3, 5-6	-L117-
12TW49-1	A,B,D,E,F,G,H,I,J,K,L,M,N,P	ON	OFF	ON	5A-125 VAC
12TW49-3	D, F, G	ON	NONE	ON	
12TW49-5	E, F, K, L, M, N	MOM ON	OFF	ON	
12TW49-7	E, L, N	MOM ON	OFF	MOM ON	
12TW49-8	F	MOM ON	NONE	ON	
12TW49-21	E, K	NONE	OFF	ON	
12TW49-31	E, K	NONE	ON	ON	

Letter	Diagram	Description
"A"		LOCKED IN THREE POSITIONS
"B"		LOCKED IN CENTER AND EXTREME POS. (KEYWAY SIDE)
"D"		LOCKED OUT OF CENTER POSITION
"E"		LOCKED IN CENTER POSITION
"F"		LOCKED IN EXTREME POS. (OPP. KEYWAY)
"G"		LOCKED IN EXTREME POS. (KEYWAY SIDE)
"H"		LOCKED OUT OF CENTER AND EXTREME POS. (KEYWAY SIDE)
"J"		LOCKED OUT OF CENTER AND EXTREME POS. (OPP. KEYWAY)
"K"		LOCKED IN CENTER AND EXTREME POS. (OPP. KEYWAY)
"L"		LOCKED OUT OF EXTREME POS. (KEYWAY SIDE)
"M"		LOCKED OUT OF EXTREME POS. (OPP. KEYWAY)
"N"		LOCKED OUT OF EXTREME POS. (OPP. KEYWAY)
"P"		LOCKED OUT OF AND INTO EXTREME POS. (KEYWAY SIDE)

NOTES

- 1 - TERMINALS ARE PLATED FOR SOLDERING
- 2 - SUFFIX MUST BE ADDED FOR DESIRED TYPE TOGGLE LOCKING
- 3 - MATTE FINISH
- 4 - LUSTERLESS WHITE IN ACCORDANCE WITH FED. STD. NO. 595 COLOR NO. 37875
- 5 - CORROSION RESISTANT INTERNAL TOOTH LOCKWASHER .59 DIA X .018 REF THICK
- 6 - CORROSION RESISTANT STEEL KEYING WASHER .72 DIA X .040 THICK. TAB .110 WIDE
- 7 - HEX NUT .56 ACROSS FLATS X .078 THICK (2)

THIRD ANGLE PROJECTION



SCALE 2 : 1

DO NOT SCALE PRINT

UNLESS OTHERWISE SPECIFIED TOLERANCES ARE

ONE PLACE (.0) ±.030
TWO PLACE (.00) ±.015
THREE PLACE (.000) ±.005
ANGLES ±

WEIGHT .045 LB MAX