

HONEYWELL

See full Datasheet below...

onlinecomponents.com
THE ONLINE DISTRIBUTOR OF ELECTRONIC COMPONENTS

BUY NOW

 **MASTER**TM
ELECTRONICS

BUY NOW

masterelectronics.com & onlinecomponents.com
are **authorized** e-commerce distributors
of electronic components.

16

15

14

13

12

11

10

9

8

7

6

5

4

3

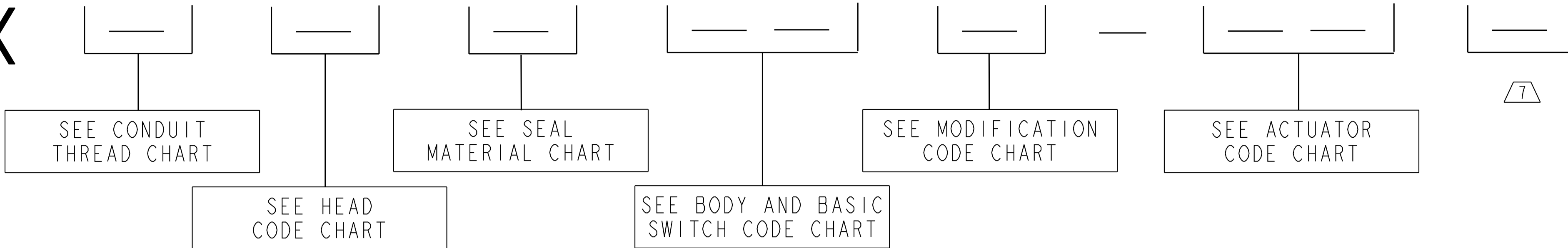
2

1

PART NUMBER
SEE CHART

REVISION HISTORY					
REV	DOCUMENT	DESCRIPTION	CHG'D BY	DATE	APPROVED
15	0104363	REDRAWN WITH CHANGE	NMN	2014-02-13	E. GEORGE
16	0111114	NOTE 5 UPDATED	NMN	2014-06-09	M. MANTUA
17	0116589	REVISED PER ECO	RKA	2014-12-10	M. MANTUA
18	0120854	REVISED PER ECO	RGA	2015-05-21	M. MANTUA

BX



CONDUIT THREAD CHART	
CODE	DESCRIPTION
NONE	1/2 NPT OR 3/4 NPT (SEE BODY & BASIC SWITCH CODE CHART)
3	PG 13,5 CONDUIT THREAD, BLUE BODY
4	20mm CONDUIT THREAD, BLUE BODY
5	PF 1/2 CONDUIT THREAD, BLUE BODY

HEAD CODE CHART	
CODE	DESCRIPTION
A	SIDE ROTARY MOMENTARY
B	TOP ROTARY MOMENTARY
C	TOP PLUNGER PLAIN
D	TOP PLUNGER ROLLER
E	SIDE PLUNGER MOMENTARY PLAIN
F	SIDE PLUNGER MOMENTARY ROLLER
H	SIDE ROTARY MOMENTARY, LOW PRE TRAVEL & LOW TORQUE
J	WOBBLE STICK
K	WHISKER
L	SIDE ROTARY SEQUENTIAL
M	SIDE ROTARY CENTER NEUTRAL
N	SIDE ROTARY MAINTAINED
P	SIDE ROTARY MOMENTARY, LOW PRE TRAVEL & DIFF. TRAVEL
R	SIDE ROTARY MOMENTARY, LOW TORQUE
V	TOP PLUNGER ADJUSTABLE
W	SIDE PLUNGER ADJUSTABLE

SEAL MATERIAL CHART	
CODE	DESCRIPTION
NONE	FLUOROSILCONE OPERATING HEAD SEALS
C	FLUOROCARBON OPERATING HEAD SEALS

BODY AND BASIC SWITCH CODE CHART	
CODE	DESCRIPTION
1A	SLOW ACTING, 3NC - 1NO, 3/4" NPT
1E	SLOW ACTING, 3NC - 1NO, 3/4" NPT, GOLD PLATED CONTACTS
3E	HIGHT FIDELITY, 1/2" NPT
3K	1NO - 1NC, 1/2" NPT
3N	1NC DIRECT ACTING, 1/2" NPT
4K/8	1NO - 1NC, 3/4" NPT
4L	2NO - 2NC, 3/4" NPT
4M	2NO - 2NO, SEQUENCE, 3/4" NPT
4N	2NO - 2NC, CENTER NEUTRAL, 3/4" NPT
4S	2NO - 2NC, 3/4" NPT, HIGH FIDELITY CONTACTS
4T	2NO - 2NC, SEQUENCE, 3/4" NPT, HIGH FIDELITY CONTACTS
4U	2NO - 2NC, CENTER NEUTRAL, 3/4" NPT, HIGH FIDELITY CONTACTS
7L/8	2NO - 2NC, 1/2" NPT
7N/8	2NO - 2NC, CENTER NEUTRAL, 1/2" NPT
7S/8	2NO - 2NC, 1/2" NPT, HIGH FIDELITY CONTACTS
7T/8	2NO - 2NC, SEQUENCE, 1/2" NPT, HIGH FIDELITY CONTACTS
7U/8	2NO - 2NC, CENTER NEUTRAL, 1/2" NPT, HIGH FIDELITY CONTACTS

MODIFICATION CODE CHART	
CODE	DESCRIPTION
1	CW ROTATION
2	CCW ROTATION
3	HEAD ASSEMBLED WITH ACTUATOR TO RIGHT SIDE
4	HEAD ASSEMBLED WITH ACTUATOR TO LEFT SIDE
5	HEAD ASSEMBLED WITH ACTUATOR TOWARDS MOUNING SURFACE
6	ROLLER PERPENDICULAR TO MOUNTING SURFACE
8	ROLLER ON SIDE PLUNGER IN VERTICAL POSITION

ACTUATOR CODE CHART	
CODE	DESCRIPTION
1	FIXED ROLLERLESS, 1.5" RADIUS
1A	FIXED 3/4 x 1/4 NYLON ROLLER, 1.5" RADIUS, ROLLER IS FRONT MOUNT
1C	FIXED 3/4 x 1/4 NYLON ROLLER, 1.5" RADIUS, ROLLER IS BACK MOUNT
2	ADJUSTABLE ROLLERLESS
2A	ADJUSTABLE 3/4 x 1/4 NYLON ROLLER, ROLLER IS BACK MOUNT
2C	ADJUSTABLE 3/4 x 1/4 NYLON ROLLER, ROLLER IS FRONT MOUNT
2J	ADJUSTABLE 1 x 1/2 NYLON ROLLER, ROLLER IS FRONT MOUNT
2K	ADJUSTABLE 1 1/2 x 1/4 NYLON ROLLER, ROLLER IS FRONT MOUNT
3E	YOKE 3/4 x 1/4 NYLON ROLLERS, ROLLERS ON OPP. SIDES
3M	YOKE 3/4 x 1 1/4 NYLON ROLLERS, ROLLERS ON OPP. SIDES
3S	YOKE 3/4 x 1/4 NYLON ROLLERS, ROLLERS ARE BACK MOUNT
4	HUB ONLY
4M	HUB ROD, LENGTH 5 1/2" ALUMINIUM
5	OFFSET, ROLLERLESS
5A	OFFSET, 3/4 x 1/4 NYLON ROLLER, ROLLER IS BACK MOUNT
5C	OFFSET, 3/4 x 1/4 NYLON ROLLER, ROLLER IS FRONT MOUNT
7A	PLASTIC WOBBLE STICK
8A	WHISKER, 5 1/2"
9A	FIXED 3/4 x 1/4 NYLON ROLLER, 1.33" RADIUS, ROLLER IS FRONT MOUNT
9C	FIXED 3/4 x 1/4 NYLON ROLLER, 1.33" RADIUS, ROLLER IS BACK MOUNT

- NOTES:
- CONSTRUCTED IN ACCORDANCE WITH EN-50014 / EN - 50018 GROUP II C
 - VOLUME 27 CU. IN (442 CU. CM) APPROX.
 - EXPLOSION PROOF - UNDER WRITERS LAB INC. LISTED FOR HAZARDOUS LOCATIONS CLASS I, GROUPS B,C AND D; CLASS II GROUPS E,F AND G.
 - SIRA CERTIFIED PRODUCTS. NO MODIFICATIONS PERMITTED WITHOUT REFERENCE TO SIRA.
 - CONFORMS TO Ex d IIC T6 Gb Ex tb IIIC T85°C Db
- CE** 0518
SIRA 00ATEX1037X
CAT 112 GD.
- 6 - FURNISHED UNASSEMBLED IN A SEPARATE PLASTIC BAG.
7 - "B" IN THIS POSITION INDICATES BULK PACK OF 25 PRODUCTS.
8 - NOT AVAILABLE WITH CONDUIT CODES 3,4 OR 5.
9 - APPROVED FOR INMETRO CERTIFICATION PER TÜV 14.0556 X CONFORMS TO Ex d IIC T6 Gb Ex tb IIIC T85 C Db IP6X
- APPROVED FOR RUSSIAN CUSTOM UNION CERTIFICATION PER НАИНО <<ЛСВЭ>> ПОСС RU.0001.11ГБ05
 - CONFORMS TO Ex d IIC T6 Gb X Ex tb IIIC T85°C Db
 - APPLICABLE HEALTH AND SAFETY STANDARDS
ГОСТ Р МЭК 60079-0-2011
ГОСТ IEC 60079-1-2011
ГОСТ Р МЭК 60079-31 2010

TEMPERATURE LIMITATIONS FOR DEVICES WITH FLUOROSILCONE (BXA** & BX*A**) AND FLUOROCARBON (BXAC** & BX*AC**) SEALS

	LOW LIMIT	HIGH LIMIT
BXA & BX*A	-40°C/-40°F	70°C/158°F
BXAC & BX*AC	-12°C/+10°F	70°C/158°F
BXB & BX*B	-29°C/-20°F	70°C/158°F
BXBC & BX*BC	-1°C/+30°F	70°C/158°F
BXC & BX*C	-40°C/-40°F	70°C/158°F
BXCC & BX*CC	-12°C/+10°F	70°C/158°F
BXD & BX*D	-40°C/-40°F	70°C/158°F
BXDC & BX*DC	-12°C/+10°F	70°C/158°F
BXE & BX*E	-40°C/-40°F	70°C/158°F
BXEC & BX*EC	-12°C/+10°F	70°C/158°F
BXF & BX*F	-40°C/-40°F	70°C/158°F
BXFC & BX*FC	-12°C/+10°F	70°C/158°F
BXH & BX*H	-29°C/-20°F	70°C/158°F
BXHC & BX*HC	-1°C/+30°F	70°C/158°F
BXJ & BX*J	-29°C/-20°F	70°C/158°F
BXJC & BX*JC	-1°C/+30°F	70°C/158°F
BXK & BX*K	-29°C/-20°F	70°C/158°F
BXKC & BX*KC	-1°C/+30°F	70°C/158°F
BXL & BX*L	-40°C/-40°F	70°C/158°F
BXLC & BX*LC	-12°C/+10°F	70°C/158°F
BXM & BX*M	-40°C/-40°F	70°C/158°F
BXMC & BX*MC	-12°C/+10°F	70°C/158°F
BXN & BX*N	-29°C/-20°F	70°C/158°F
BXNC & BX*NC	-1°C/+30°F	70°C/158°F
BXP & BX*P	-40°C/-40°F	70°C/158°F
BXPC & BX*PC	-12°C/+10°F	70°C/158°F
BXR & BX*R	-29°C/-20°F	70°C/158°F
BXRC & BX*RC	-1°C/+30°F	70°C/158°F
BXV & BX*V	-40°C/-40°F	70°C/158°F
BXVC & BX*VC	-12°C/+10°F	70°C/158°F
BXW & BX*W	-40°C/-40°F	70°C/158°F
BXWC & BX*WC	-12°C/+10°F	70°C/158°F

ENVIRONMENTAL RATING	
IP67	NEMA/UL TYPES 1, 3, 4, 6, 7, 9 AND 13

UNLESS OTHERWISE SPECIFIED DIMENSIONS ARE IN MM/INCH		THIRD ANGLE PROJECTION				<h2>Honeywell</h2> <h3>SWITCH - ENCLOSED</h3>		
DECIMAL TOL	NO PLACE ... ± 1 PLACE ... ±0.30 2 PLACE ... ±0.15 3 PLACE ... ±0.05	ANGULAR TOL	° ± ' ± " ±					SIZE
MATERIAL		FINISH		A1	91926	BX SERIES CHART 1	I	18
APPLICABLE DOCUMENTS: ASME Y14.100-2004 ASME Y14.5-2009		COMPUTER GENERATED DRAWING: PRO/ENGINEER		SCALE	1:1	REF WT:	SHEET	1 of 6
RELEASE DATE		2009-11-18		DRW: LK	2009-11-18		HONEYWELL CONFIDENTIAL THIS DOCUMENT CONTAINS PROPRIETARY INFORMATION AND SUCH INFORMATION MAY NOT BE DISCLOSED TO OTHERS FOR ANY PURPOSE, NOR USED FOR MANUFACTURING PURPOSES WITHOUT WRITTEN PERMISSION FROM HONEYWELL	

16

15

14

13

12

11

10

9

8

7

6

5

4

3

2

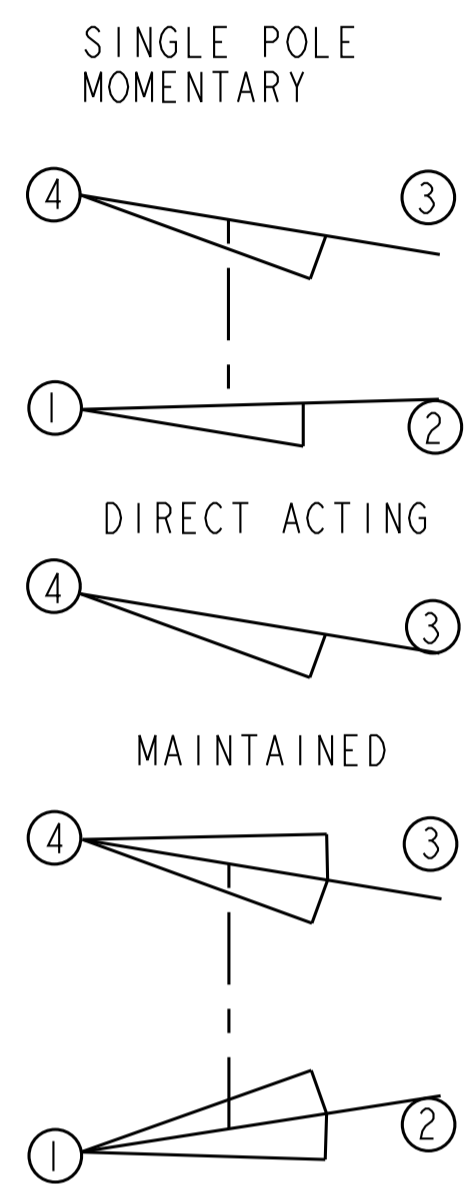
1

PART NUMBER

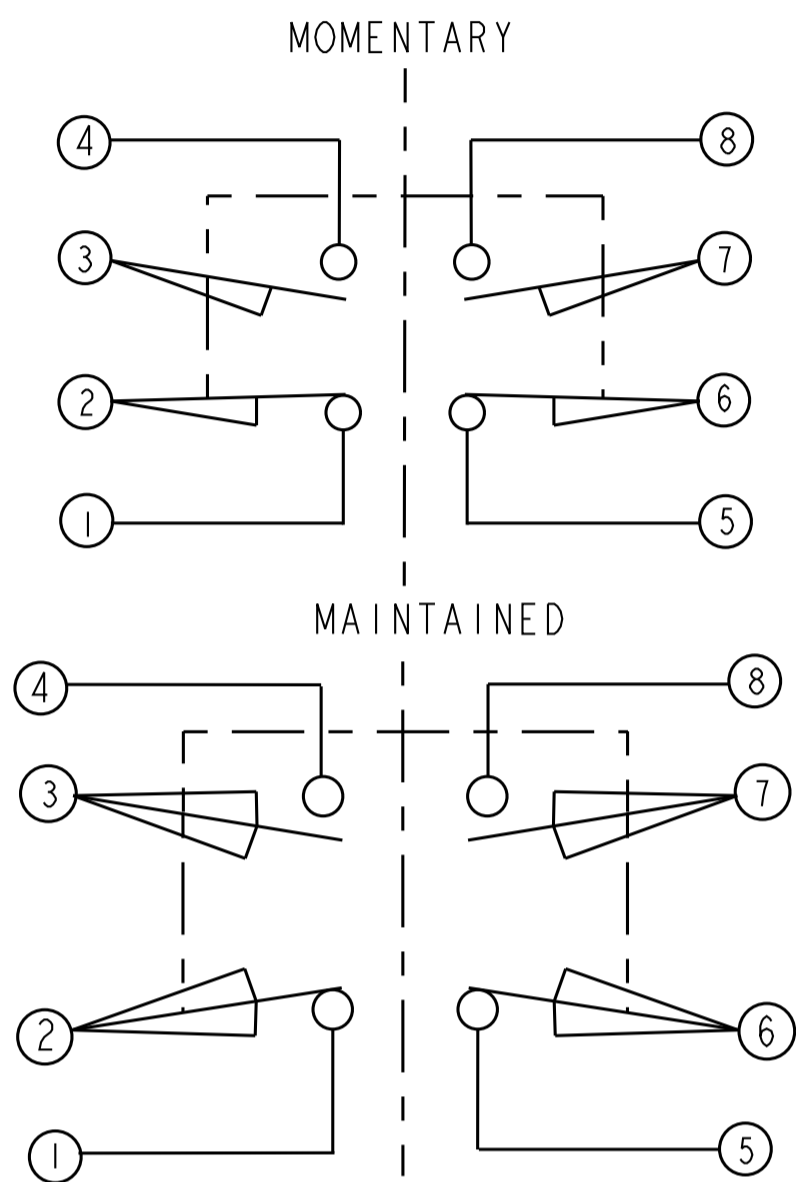
ELECTRICAL RATINGS
10 AMP CONT.

A.C. VOLTAGE					POWER FACTOR
	SINGLE POLE		DOUBLE POLE		
	MAKE	BREAK	MAKE	BREAK	
120	60	6	30	3	.35
240	30	3	15	1.5	.35
480	15	1.5	7.5	.75	.35
600	12	1.2	6	.6	.35
A300/120V	N/A	N/A	60	6	.30
A300/240V	N/A	N/A	30	3	.30

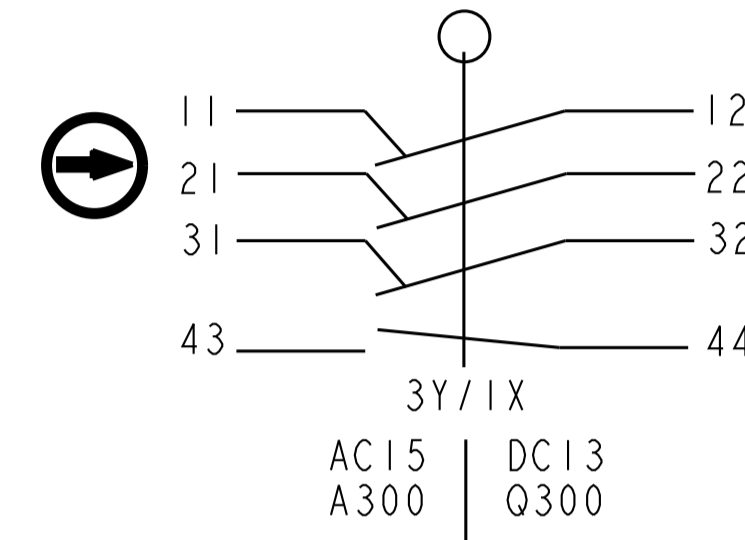
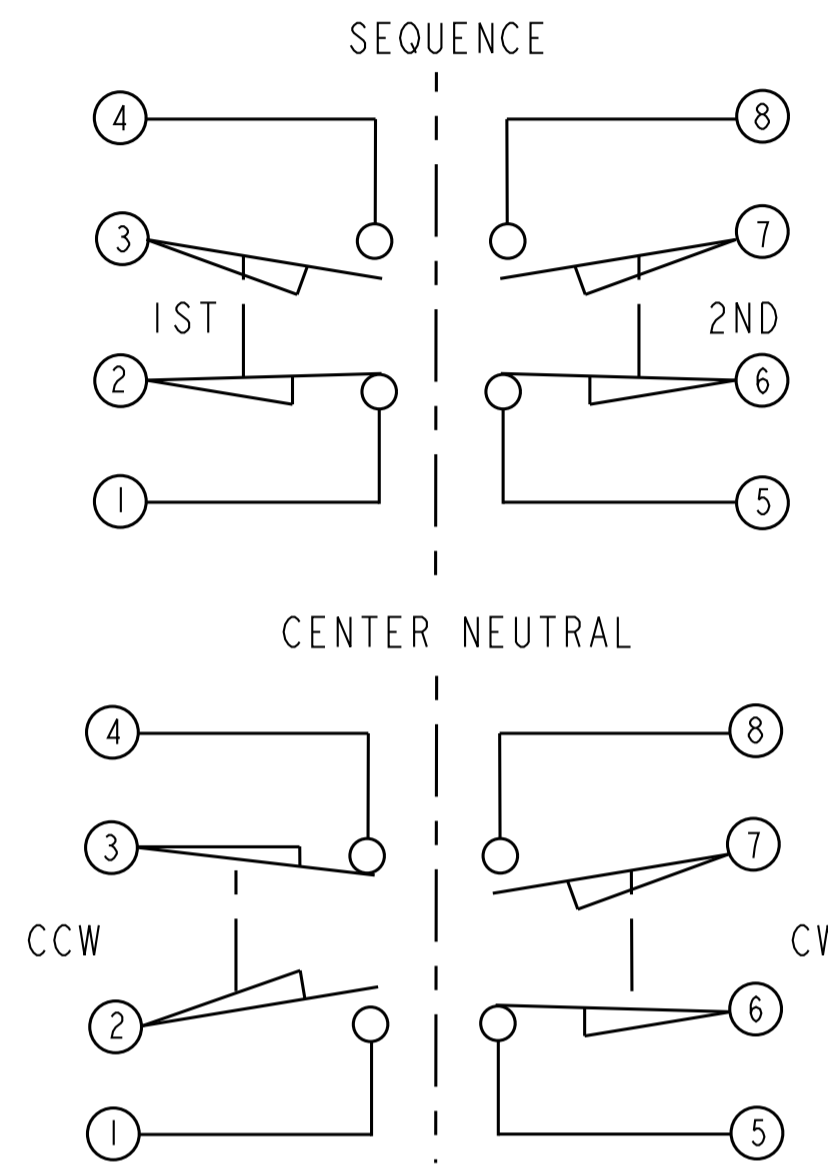
D.C. VOLTAGE	MAKE & BREAK INDUCTIVE	RESISTIVE
120	0.25	0.80
240	0.15	0.40
Q300/125V	0.55	N/A
Q300/250V	0.27	N/A



WIRING BASIC SWITCH SAME POLARITY MUST BE OBSERVED(NOT APPLICABLE TO 3Y/1X CIRCUIT)



DOUBLE POLE



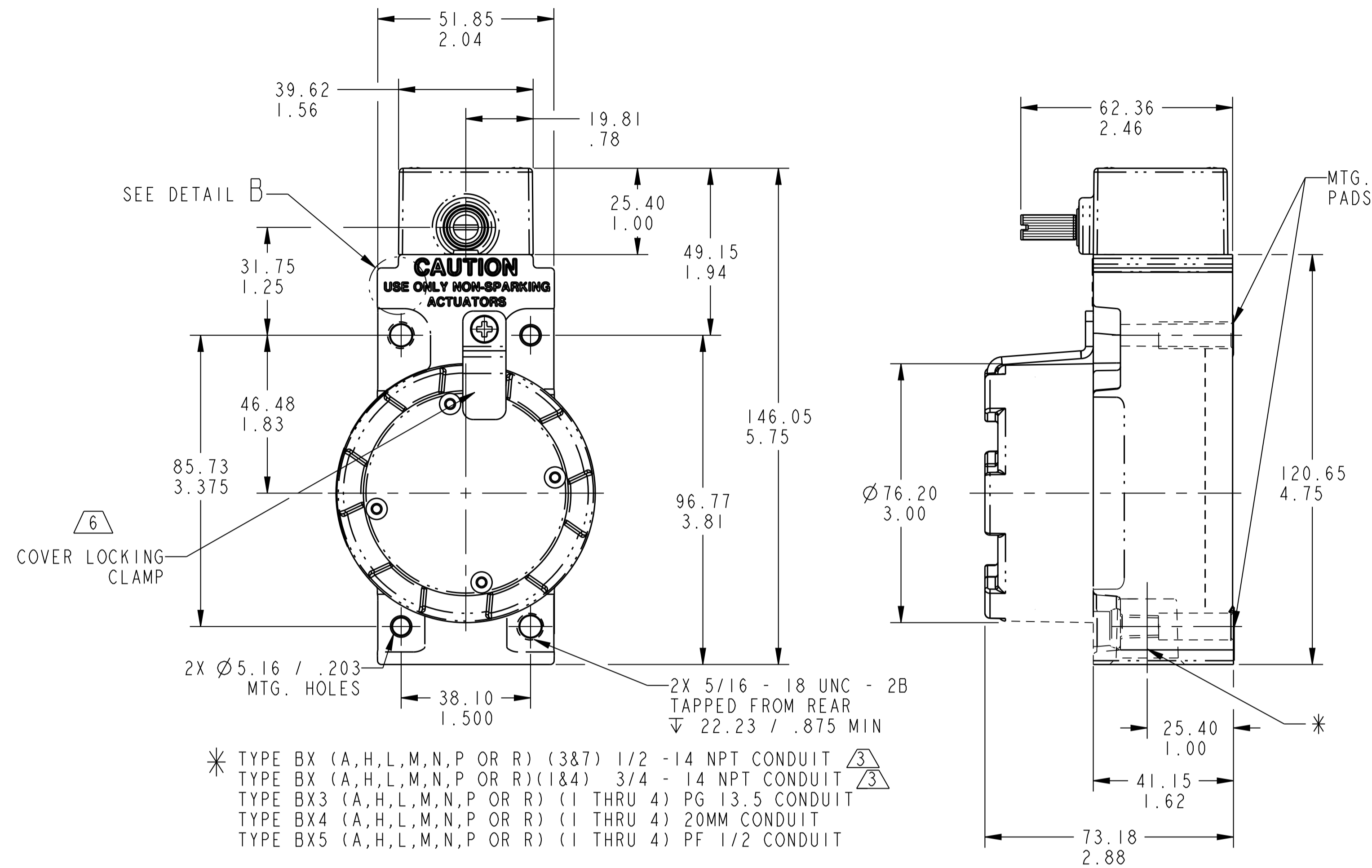
Honeywell

SWITCH - ENCLOSED

SIZE	CAGE CODE	DWG NO	TYPE	REV
A1	91926	BX SERIES CHART 1	I	18
SCALE	REF WT:		SHEET 2 of 6	
1:1				

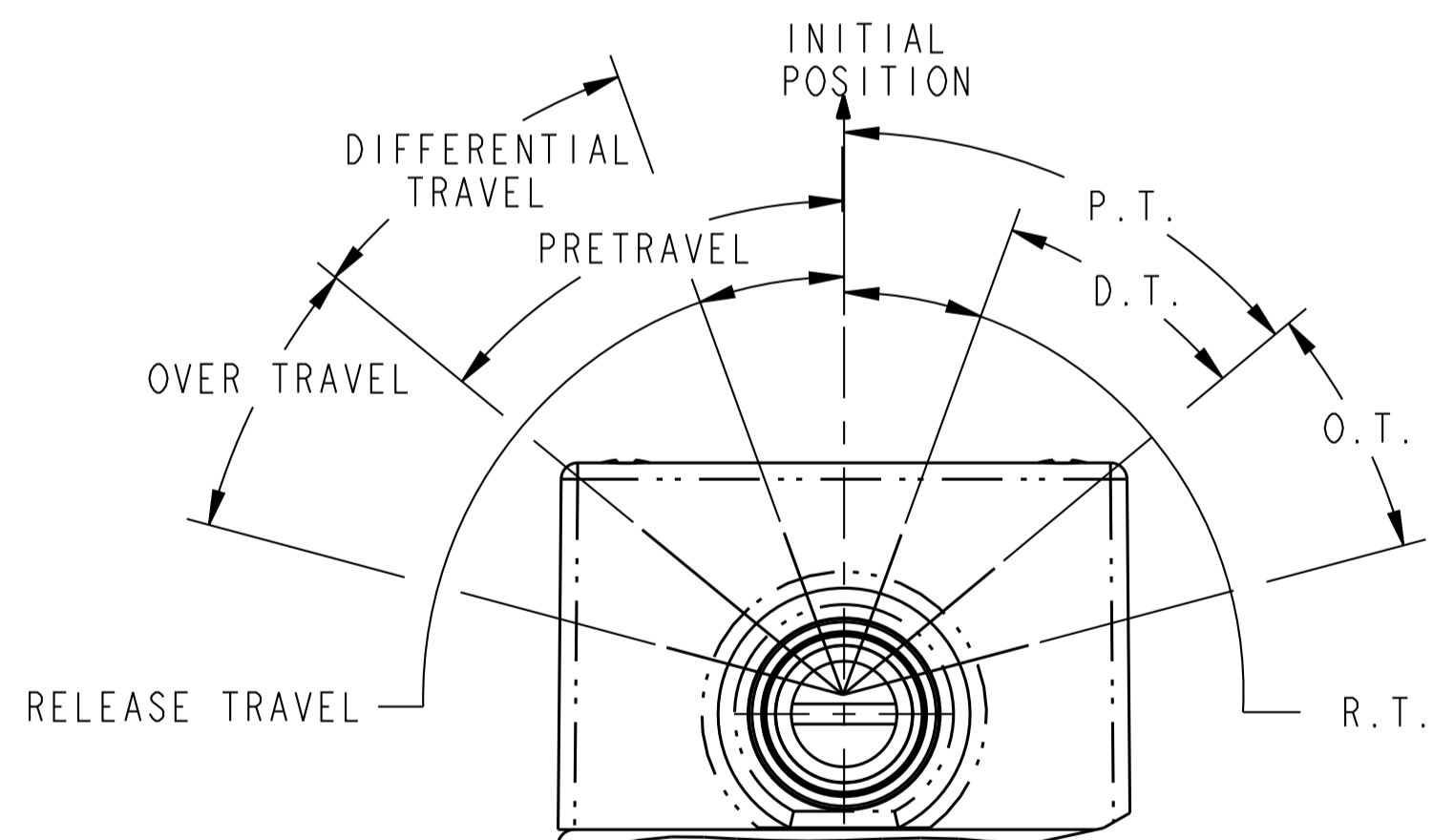
PART NUMBER

SIDE ROTARY



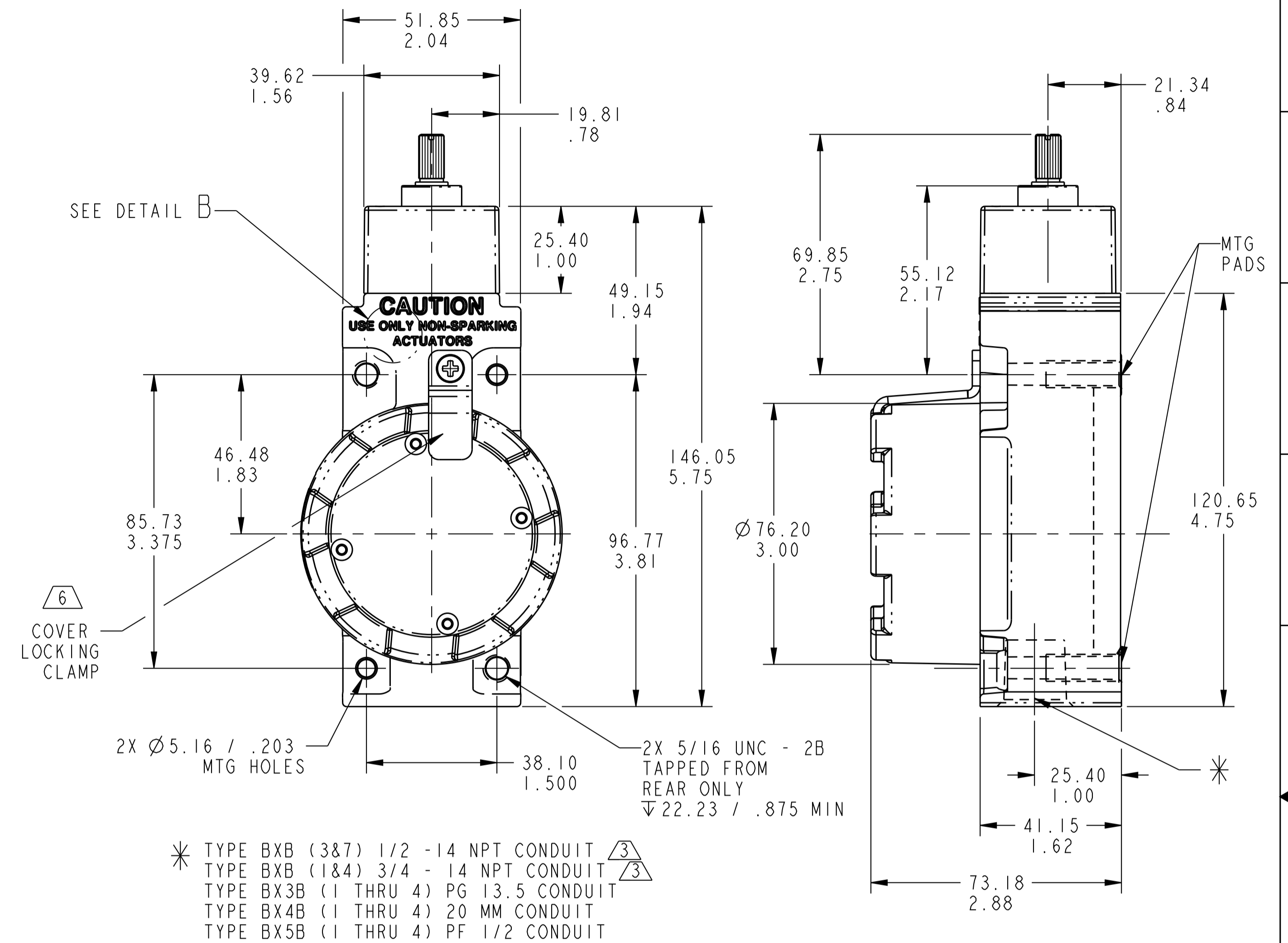
- * TYPE BX (A,H,L,M,N,P OR R) (3&7) 1/2 - 14 NPT CONDUIT
- TYPE BX (A,H,L,M,N,P OR R)(1&4) 3/4 - 14 NPT CONDUIT
- TYPE BX3 (A,H,L,M,N,P OR R) (1 THRU 4) PG 13.5 CONDUIT
- TYPE BX4 (A,H,L,M,N,P OR R) (1 THRU 4) 20MM CONDUIT
- TYPE BX5 (A,H,L,M,N,P OR R) (1 THRU 4) PF 1/2 CONDUIT

OPERATING DATA - SIDE ROTARY



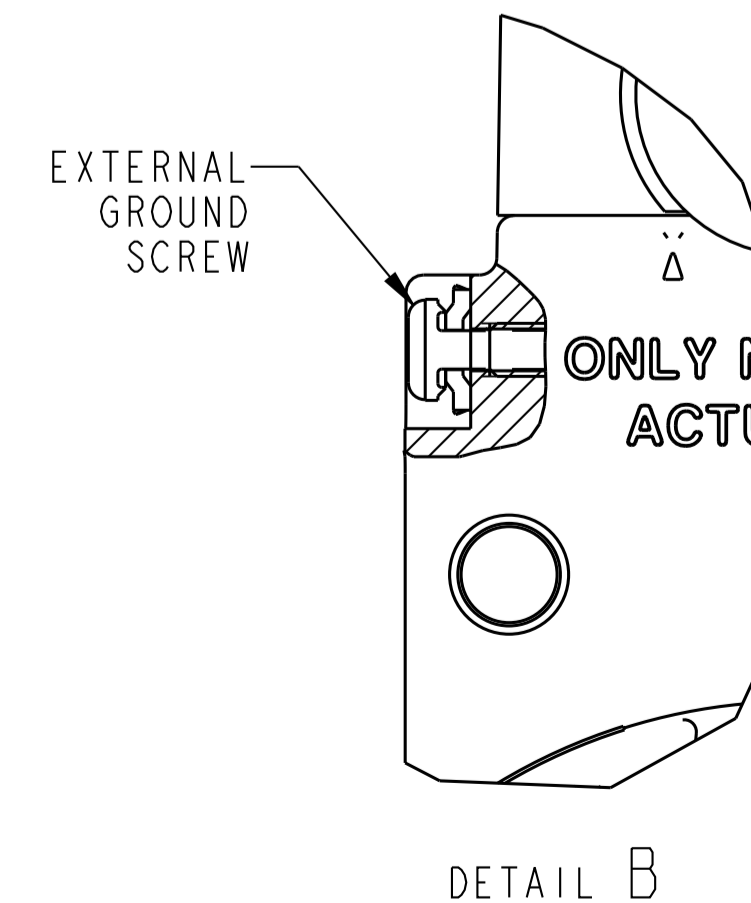
OPERATING CHARACTERISTICS	BXA MOMENTARY		BXR MOMENTARY LOW TORQUE		BXN MAINTAINED	BXP MOMENTARY LOW PRETRAVEL & DIFFERENTIAL TRAVEL		BXH MOMENTARY LOW PRETRAVEL & LOW TORQUE		BXL SEQUENCE DOUBLE POLE ONLY	BXM CENTRAL NEUTRAL DOUBLE POLE ONLY
	SINGLE POLE	DOUBLE POLE	SINGLE POLE	DOUBLE POLE		SINGLE POLE	DOUBLE POLE	SINGLE POLE	DOUBLE POLE		
PRE-TRAVEL (MAX)	15°	15°	15°	15°	65°	9°	9°	9°	9°	1ST STEP 15° 2ND STEP 10° ADDITIONAL	18°
OVERTRAVEL (MIN)	60°	60°	60°	60°	20°	68°	68°	68°	68°	48°	57°
DIFFERENTIAL TRAVEL (MAX)	SINGLE POLE 5°	DOUBLE POLE 7°	SINGLE POLE 5°	DOUBLE POLE 7°	40°	SINGLE POLE 3°	DOUBLE POLE 4°	SINGLE POLE 3°	DOUBLE POLE 4°	5°	10°
TOTAL TRAVEL (REF)	75°		75°		90°	75°		75°		75°	75°
OPERATING TORQUE (MAX)	.454 NM 4 IN. LBS		.193 NM 1.7 IN. LBS		.454 NM 4 IN. LBS	.454 NM 4 IN. LBS	.454 NM 4 IN. LBS	.193 NM 1.7 IN. LBS	.454 NM 4 IN. LBS	.454 NM 4 IN. LBS	.454 NM 4 IN. LBS
FULL TRAVEL TORQUE (MAX)	.454 NM 4 IN. LBS		.193 NM 1.7 IN. LBS		-	.454 NM 4 IN. LBS	.454 NM 4 IN. LBS	.193 NM 1.7 IN. LBS	.454 NM 4 IN. LBS	.454 NM 4 IN. LBS	.454 NM 4 IN. LBS

TOP ROTARY



- * TYPE BXB (3&7) 1/2 - 14 NPT CONDUIT
- TYPE BXB (1&4) 3/4 - 14 NPT CONDUIT
- TYPE BX3B (1 THRU 4) PG 13.5 CONDUIT
- TYPE BX4B (1 THRU 4) 20 MM CONDUIT
- TYPE BX5B (1 THRU 4) PF 1/2 CONDUIT

	SINGLE POLE	DOUBLE POLE
PRETRAVEL MAX	35°	35°
OVERTRAVEL MAX	100°	100°
DIFFERENTIAL TRAVEL MAX	8°	12°
OPERATING TORQUE MAX	.283 NM 2.5 IN. LBS	.283 NM 2.5 IN. LBS
TOTAL TRAVEL (REF)	135°	135°



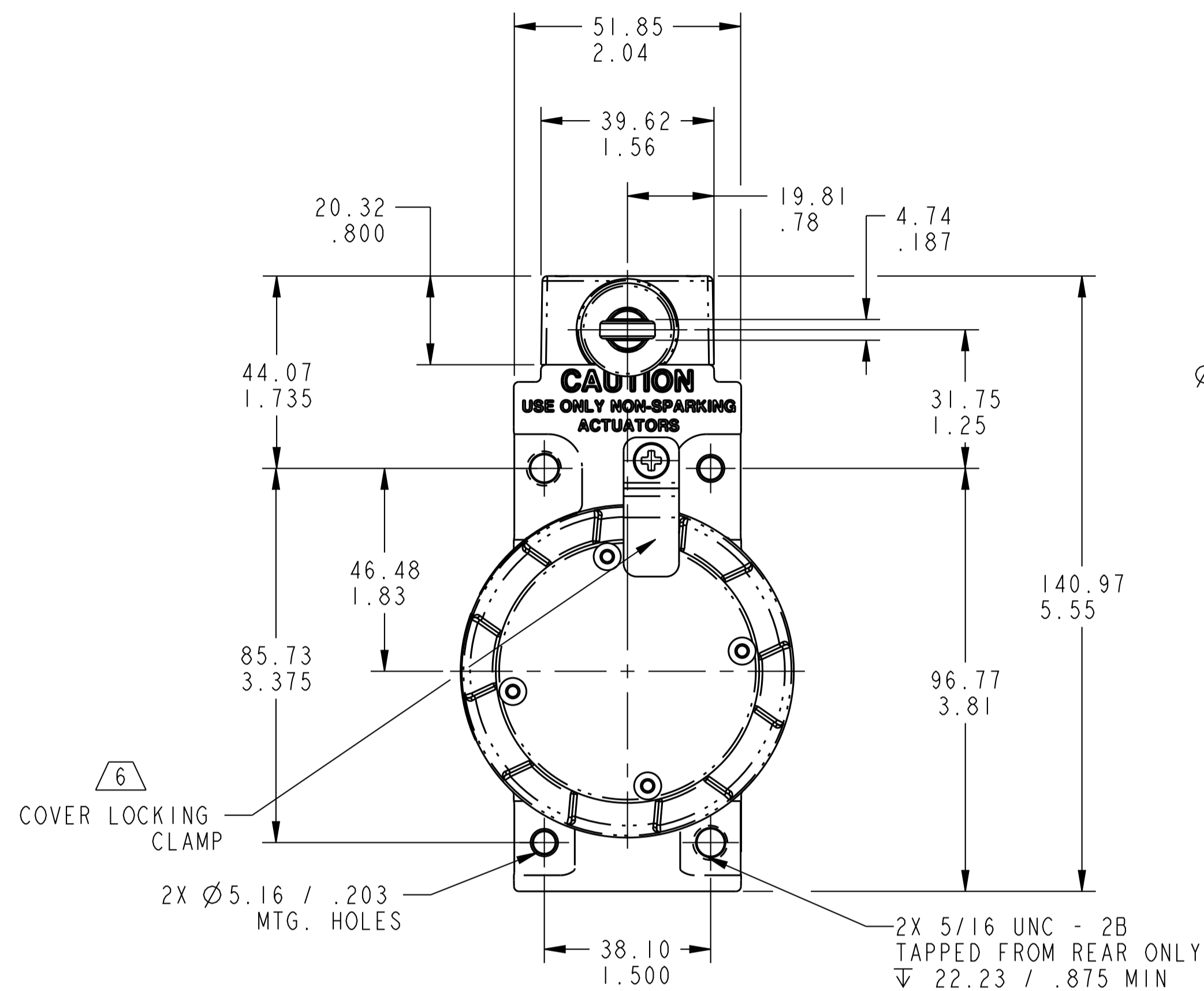
Honeywell

SWITCH - ENCLOSED

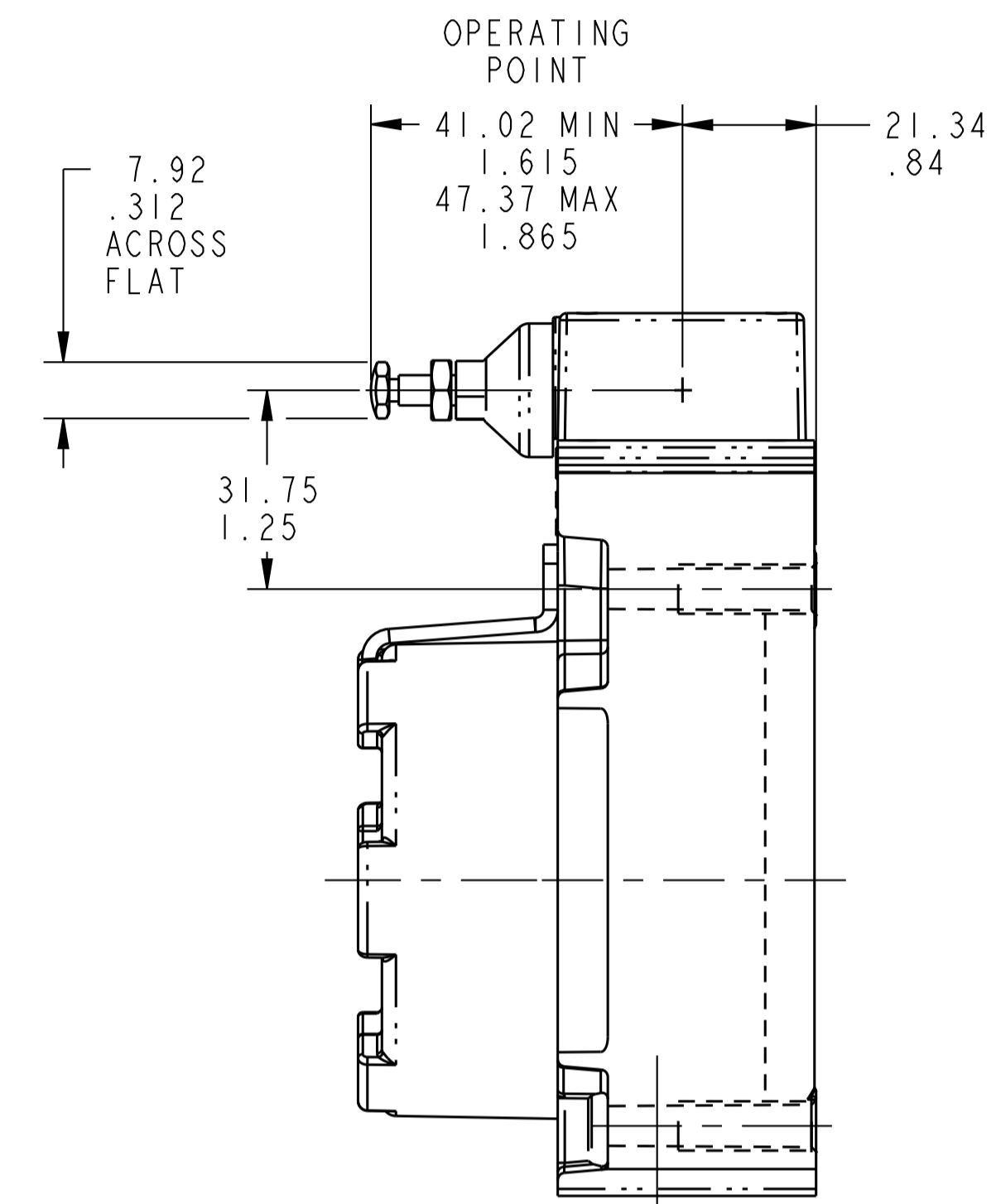
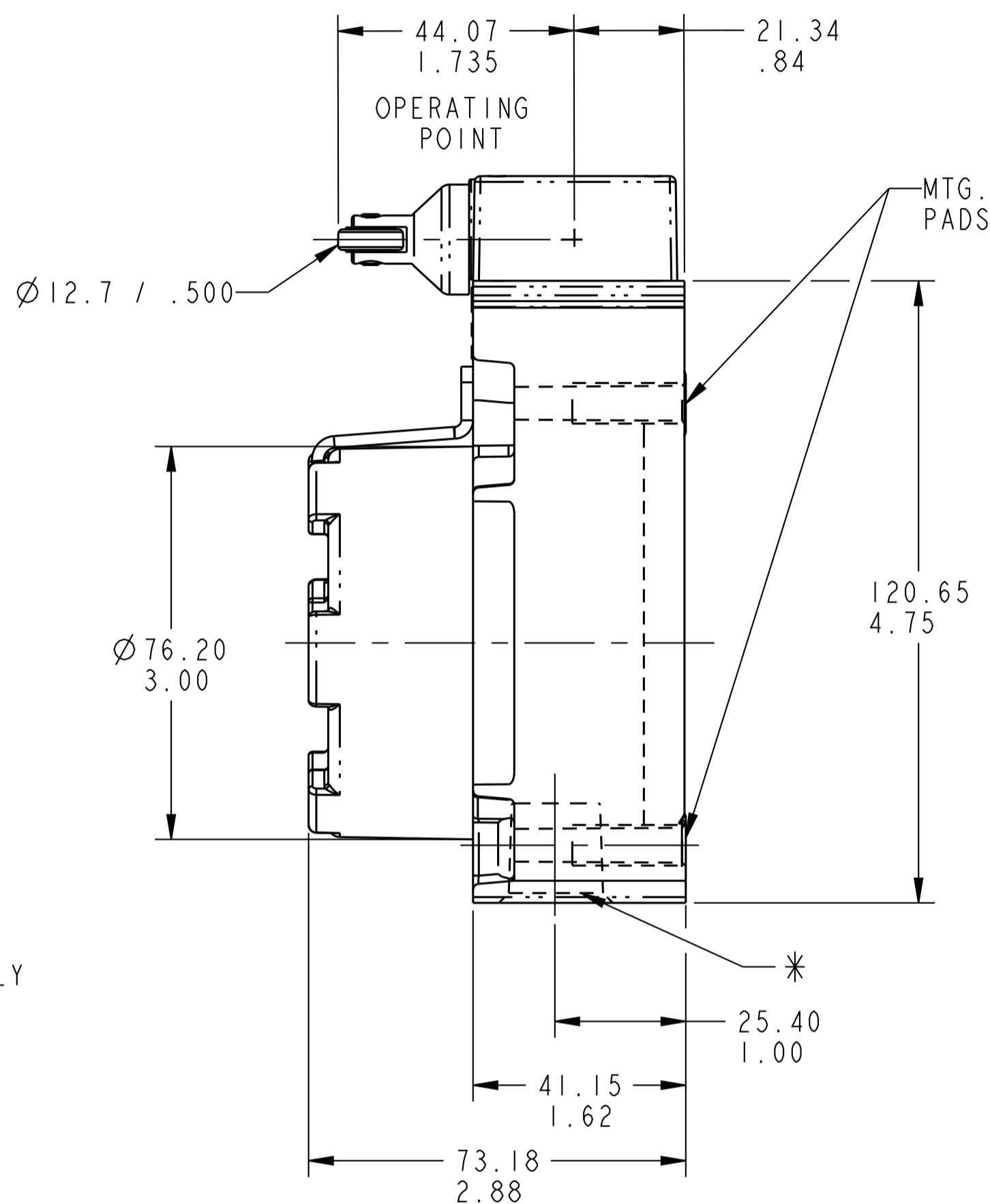
TITLE					
SIZE	CAGE CODE	DWG NO	TYPE	REV	
AI	91926	BX SERIES CHART 1	I	18	
SCALE	1:1	REF WT:	SHEET	3 of 6	

PART NUMBER

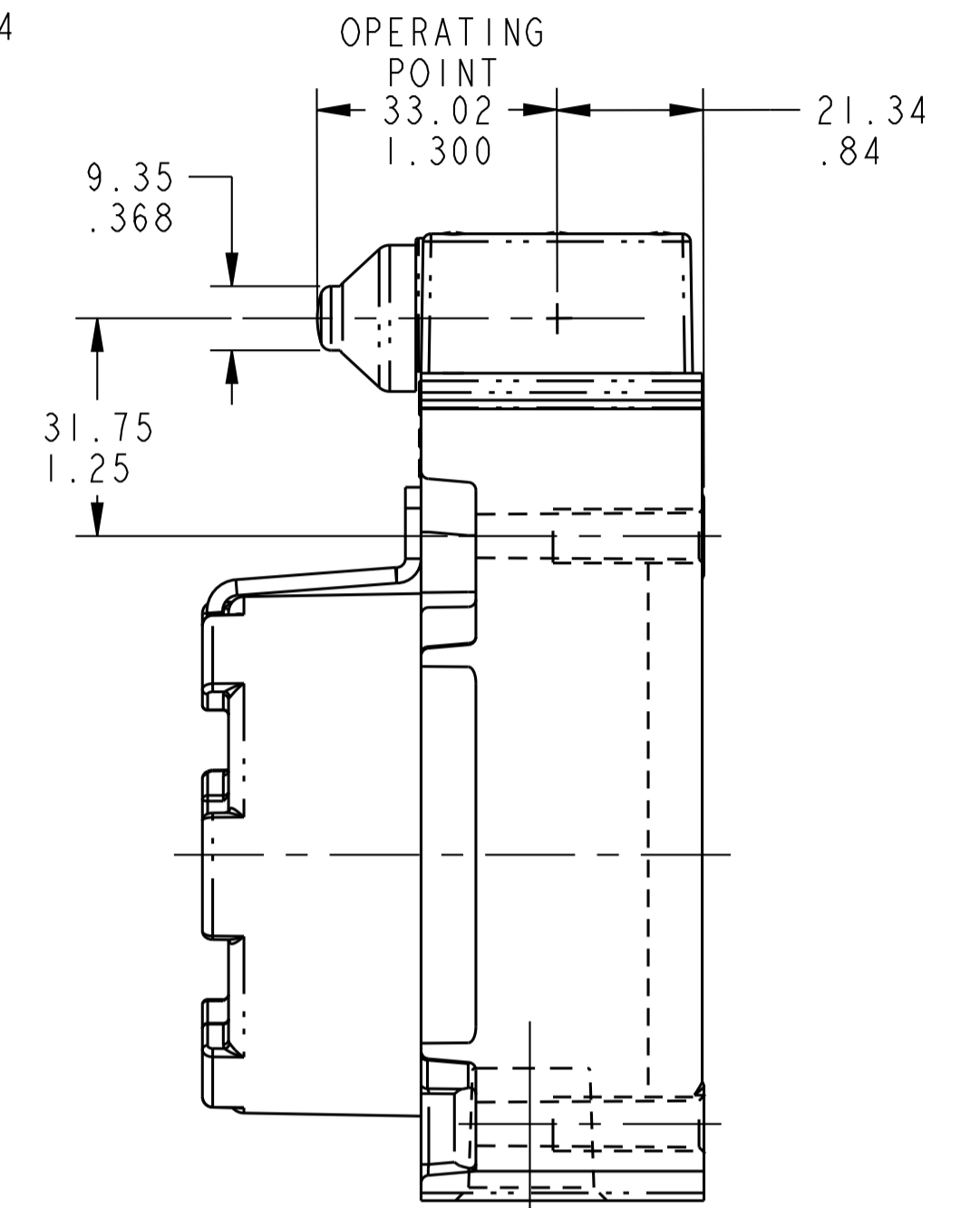
SIDE PLUNGER



- * TYPE BXF (3&87) 1/2 -14 NPT CONDUIT
- * TYPE BXF (1&84) 3/4 - 14 NPT CONDUIT
- * TYPE BX3F (1 THRU 4) PG 13.5 CONDUIT
- * TYPE BX4F (1 THRU 4) 20 MM CONDUIT
- * TYPE BX5F (1 THRU 4) PF 1/2 CONDUIT



- * TYPE BXW (3&87) 1/2 -14 NPT CONDUIT
- * TYPE BXW (1&84) 3/4 - 14 NPT CONDUIT
- * TYPE BX3W (1 THRU 4) PG 13.5 CONDUIT
- * TYPE BX4W (1 THRU 4) 20 MM CONDUIT
- * TYPE BX5W (1 THRU 4) PF 1/2 CONDUIT



- * TYPE BXE (3&87) 1/2 -14 NPT CONDUIT
- * TYPE BXE (1&84) 3/4 - 14 NPT CONDUIT
- * TYPE BX3E (1 THRU 4) PG 13.5 CONDUIT
- * TYPE BX4E (1 THRU 4) 20 MM CONDUIT
- * TYPE BX5E (1 THRU 4) PF 1/2 CONDUIT

OPERATING POINT GIVEN IN RELATION TO CENTER OF HEAD

SIDE PLUNGER TYPES

CHARACTERISTICS	BXE PLUNGER	BXF ROLLER PLUNGER	BXW ADJUSTABLE PLUNGER	SEQUENCE BASIC		
				BXE	BXF	BXW
PRE-TRAVEL (MAX)	2.54 / .100	2.54 / .100	2.54 / .100	1ST STEP 2.54 / .100 2ND STEP .51 / .020 MIN ADDITIONAL.		
DIFFERENTIAL TRAVEL (MAX)	1.14 / .045	1.14 / .045	1.14 / .045	.64 / .025 EACH STEP		
OVERTRAVEL (MIN)	4.83 / .190	4.83 / .190	4.83 / .190	4.32 / .170		
OPERATING FORCE (MAX)	26.79 N / 6 LBS	26.79 N / 6 LBS	26.79 N / 6 LBS	26.79 N / 6 LBS		
OPERATING POINT	33.02 ± .76 / 1.300 ± .030	44.07 ± 1.02 / 1.735 ± .040	41.02 / 1.615 MIN / 47.37 / 1.665 MAX	33.27 ± .76 / 1.310 ± .030	44.32 ± 1.02 / 1.745 ± .040	41.28 / 1.625 MIN. / 47.63 / 1.875 MAX.
FULL OVERTRAVEL FORCE (MAX)	26.79 N / 6 LBS	26.79 N / 6 LBS	26.79 N / 6 LBS	26.79 N / 6 LBS		

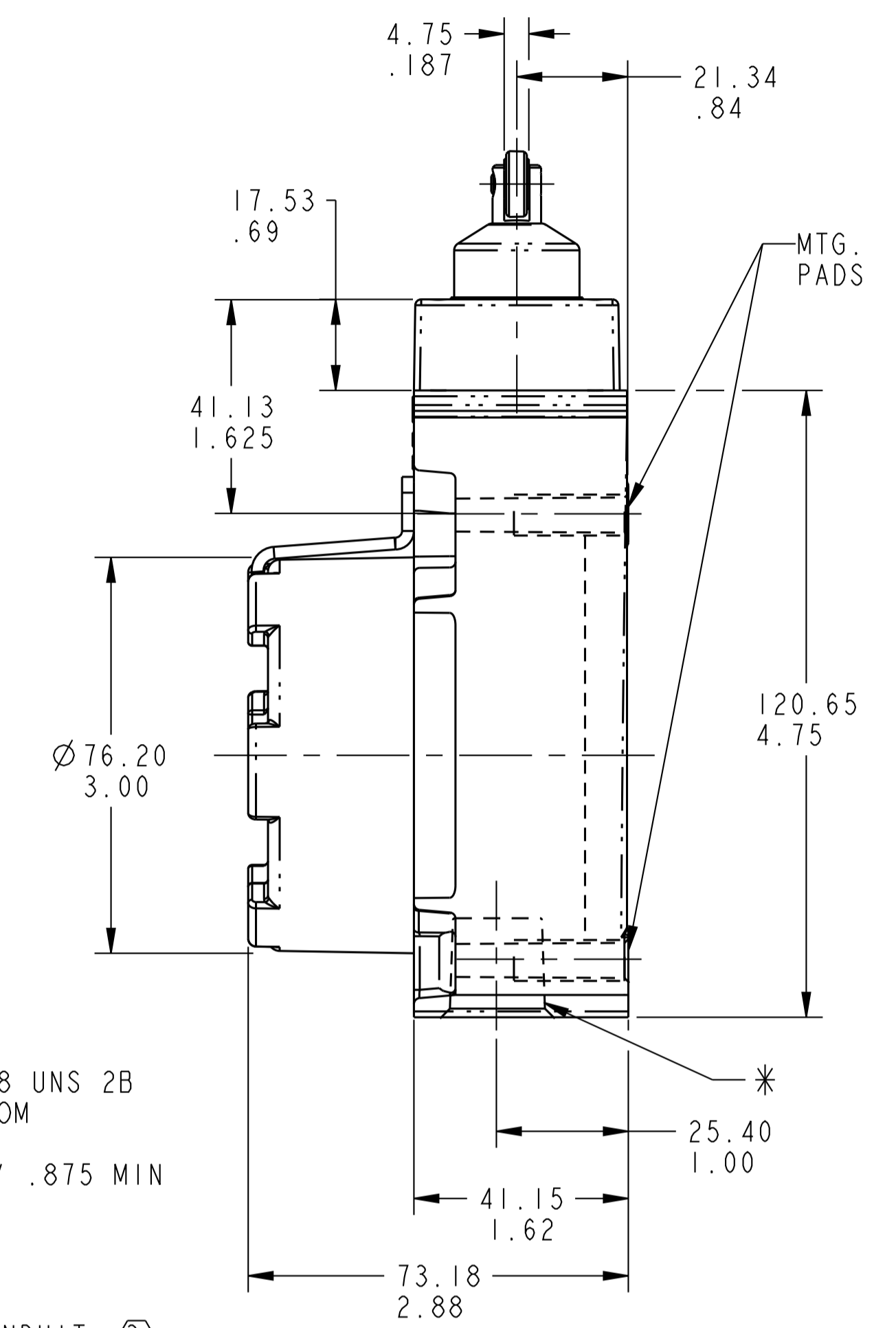
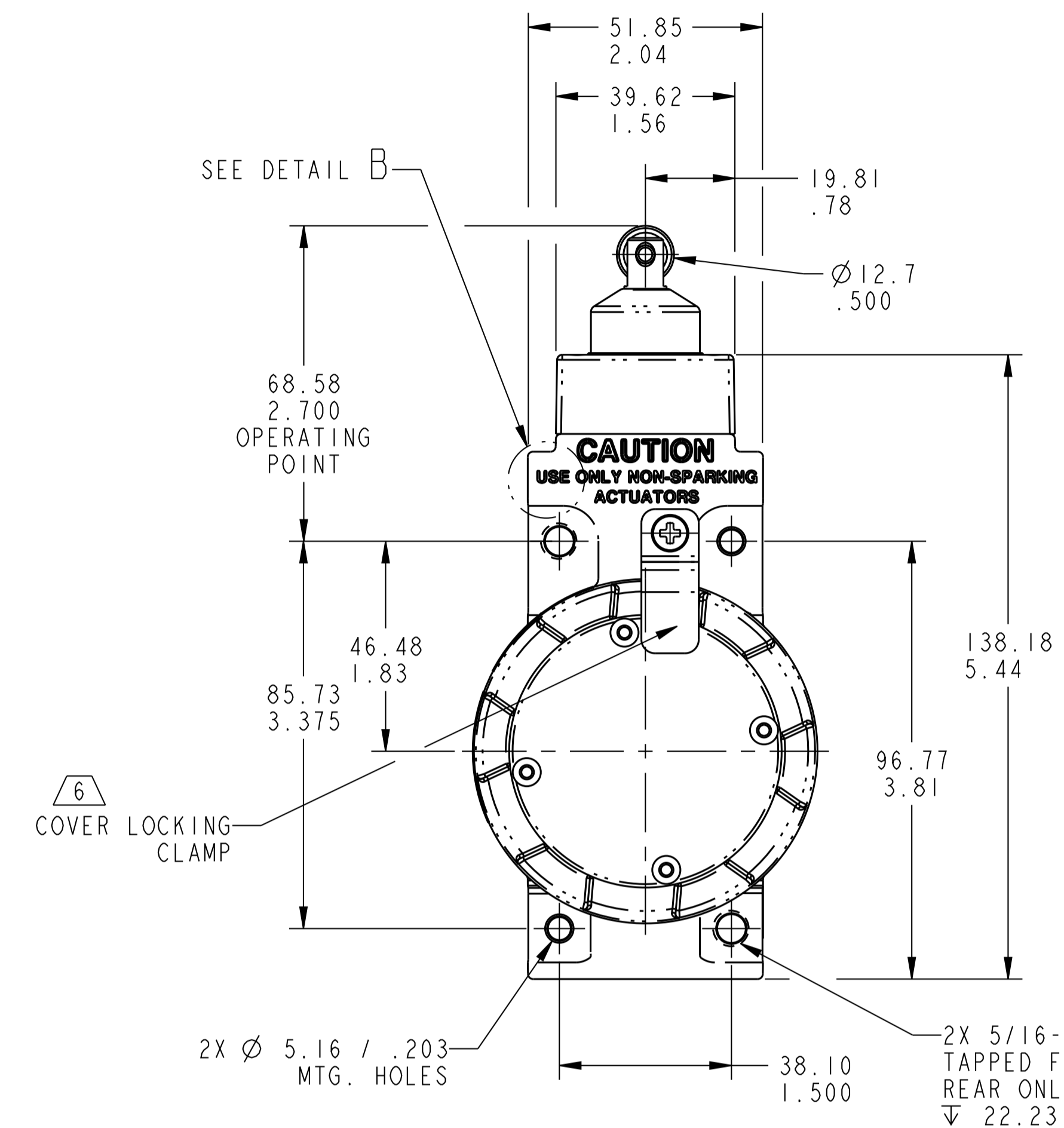
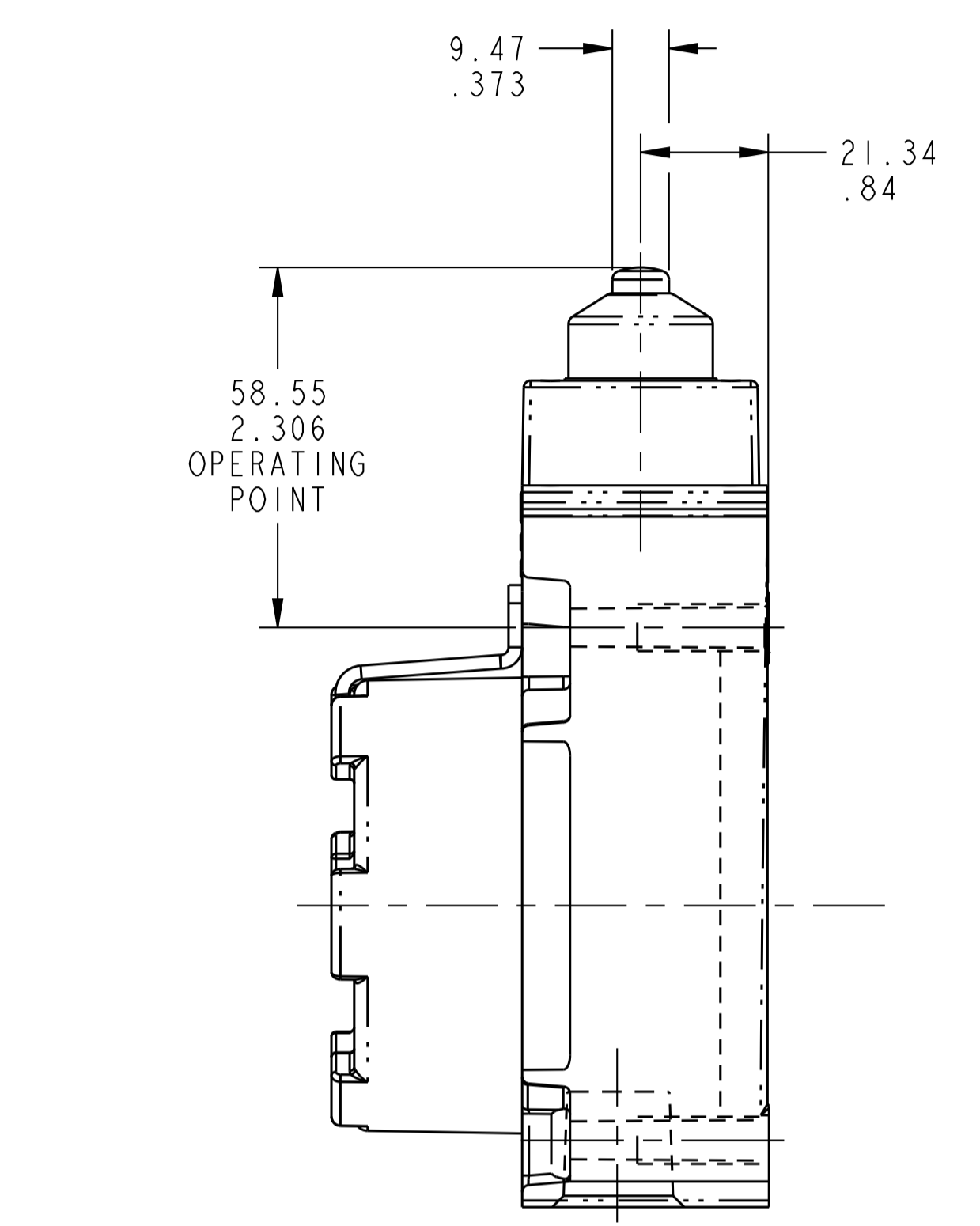
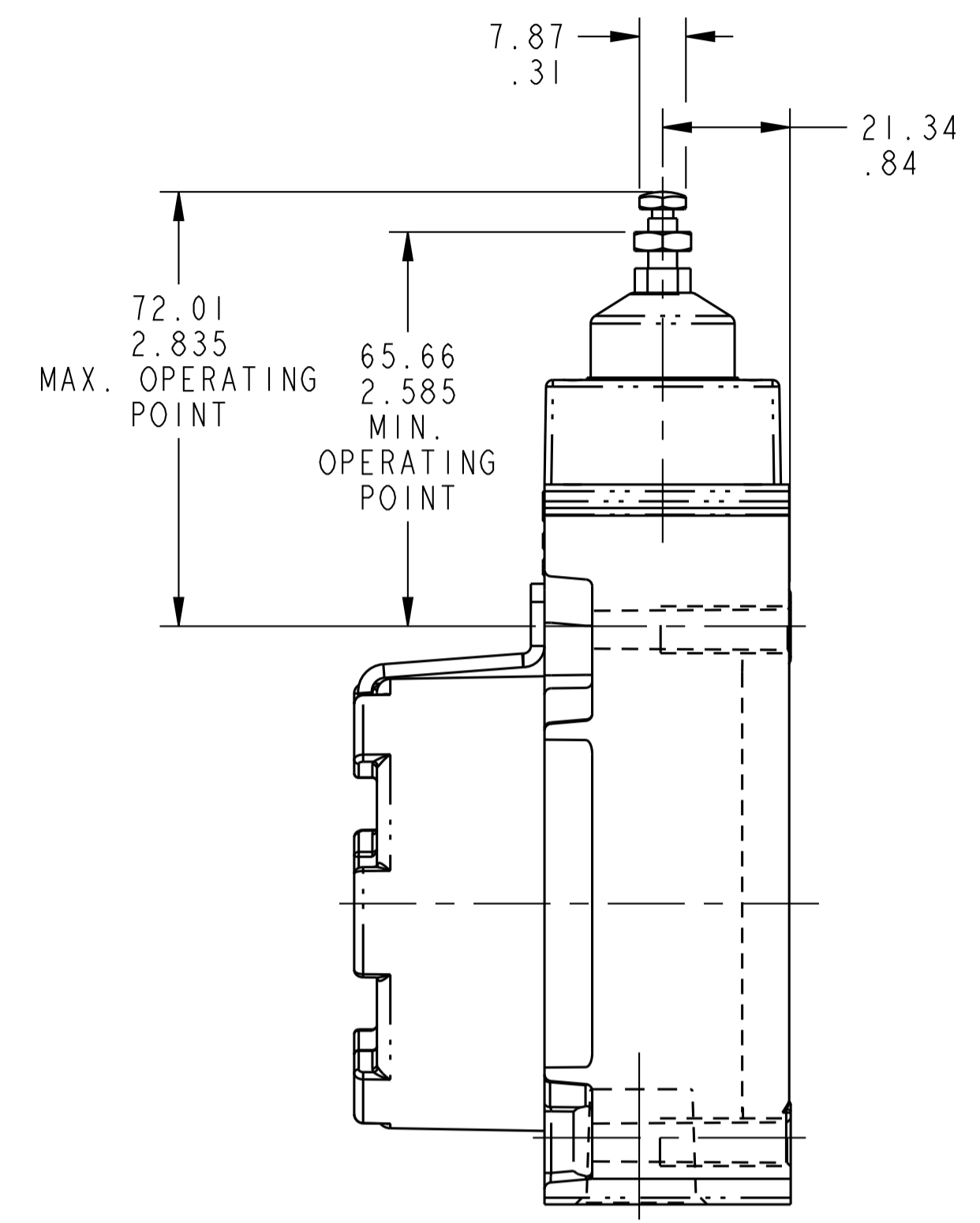
Honeywell

SWITCH - ENCLOSED

TITLE	SWITCH - ENCLOSED				
SIZE	CAGE CODE	DWG NO	TYPE	REV	
A1	91926	BX SERIES CHART 1	I	18	
SCALE	1:1	REF WT:	SHEET	4 of 6	

PART NUMBER

PLUNGER TYPE TOP



* TYPE BXV (3&7) 1/2 -14 NPT CONDUIT
 TYPE BXV (1&4) 3/4 - 14 NPT CONDUIT
 TYPE BX3V (1 THRU 4) PG 13.5 CONDUIT
 TYPE BX4V (1 THRU 4) 20 MM CONDUIT
 TYPE BX5V (1 THRU 4) PF 1/2 CONDUIT

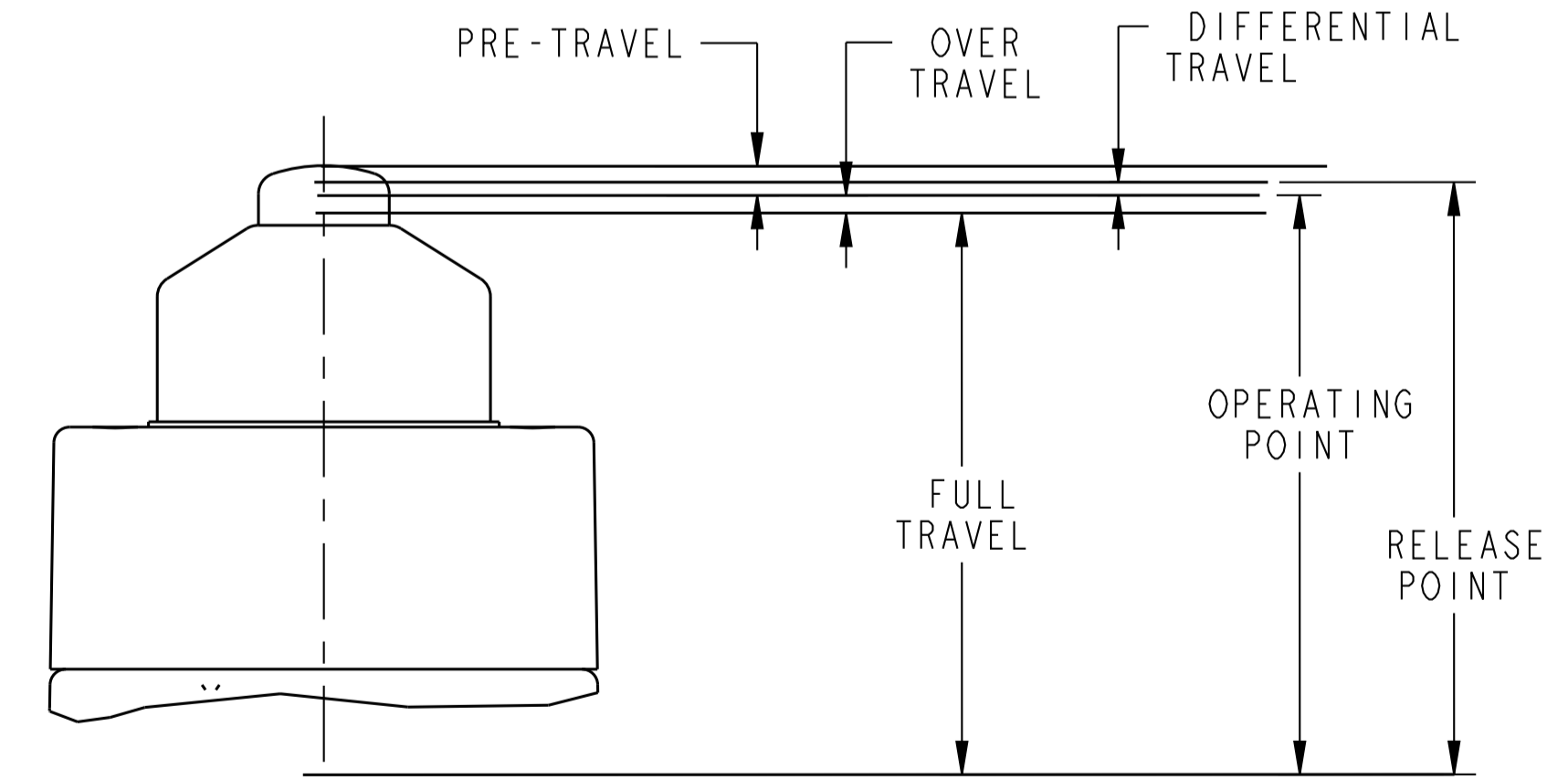
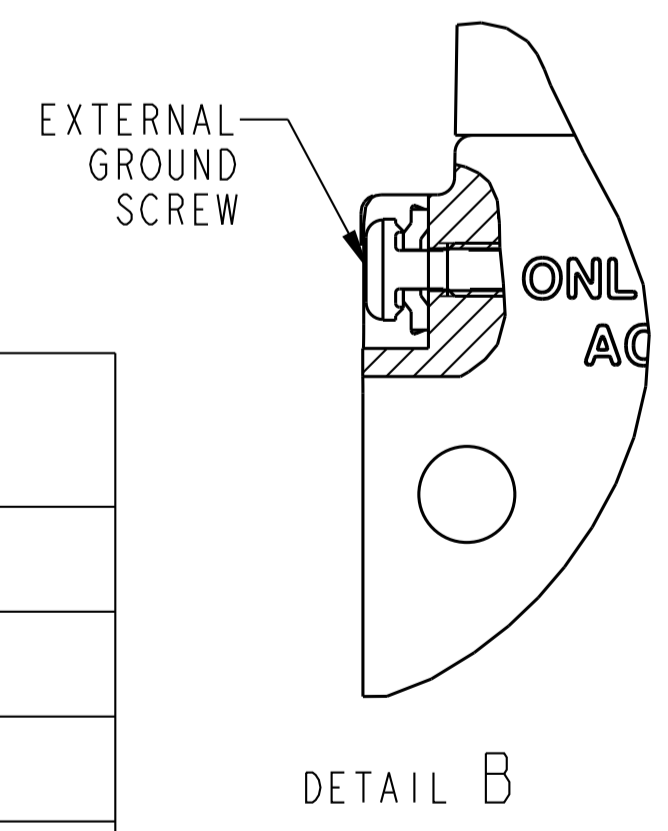
* TYPE BX (C OR G) (3&7) 1/2 -14 NPT CONDUIT
 TYPE BX (C OR G) (1&4) 3/4 - 14 NPT CONDUIT
 TYPE BX3 (C OR G) (1 THRU 4) PG 13.5 CONDUIT
 TYPE BX4 (C OR G) (1 THRU 4) 20 MM CONDUIT
 TYPE BX5 (C OR G) (1 THRU 4) PF 1/2 CONDUIT

* TYPE BXD (3&7) 1/2 -14 NPT CONDUIT
 TYPE BXD (1&4) 3/4 - 14 NPT CONDUIT
 TYPE BX3D (1 THRU 4) PG 13.5 CONDUIT
 TYPE BX4D (1 THRU 4) 20 MM CONDUIT
 TYPE BX5D (1 THRU 4) PF 1/2 CONDUIT

OPERATING POINT GIVEN
 IN RELATION TO TOP MOUNTING HOLES

TOP PLUNGER TYPES

CHARACTERISTICS	BXC PLUNGER		BXD ROLLER PLUNGER		BXV ADJUSTABLE PLUNGER		SEQUENCE BASIC			
							BXC	BXD	BXV	BXG
PRETRAVEL (MAX)	1.79 / .070		1.79 / .070		1.79 / .070		1ST STEP 1.79 / .070 2ND STEP .41 / .015 MIN ADDITIONAL.			1.79 / .070
DIFFERENTIAL TRAVEL (MAX)	SINGLE POLE .38 / .015	DOUBLE POLE 0.51 / .020	SINGLE POLE 0.38 / .015	DOUBLE POLE .51 / .020	SINGLE POLE	DOUBLE POLE	.38 / .01 EACH STEP			.51 / .020
OVERTRAVEL (MIN)	4.83 / .190		4.83 / .190		4.83 / .190		4.32 / .170			4.83 / .190
OPERATING FORCE (MAX)	17.86 N / 4 LBS		17.86 N / 4 LBS		17.86 N / 4 LBS		17.86 N / 4 LBS			17.86 N / 4 LBS
OPERATING POINT	58.55 ± .76 / 2.305 ± .030		68.58 ± 1.02 / 2.700 ± .040		65.66 / 2.585 MIN 72.01 / 2.835 MAX		46.10 ± .76 / 1.815 ± .030 53.21 / 2.095 MIN.			58.55 ± .76 / 2.305 ± .030
FULL OVERTRAVEL FORCE (MAX)	31.25 N / 7 LBS		31.25 N / 7 LBS		31.25 N / 7 LBS		31.25 N / 7 LBS			31.25 N / 7 LBS



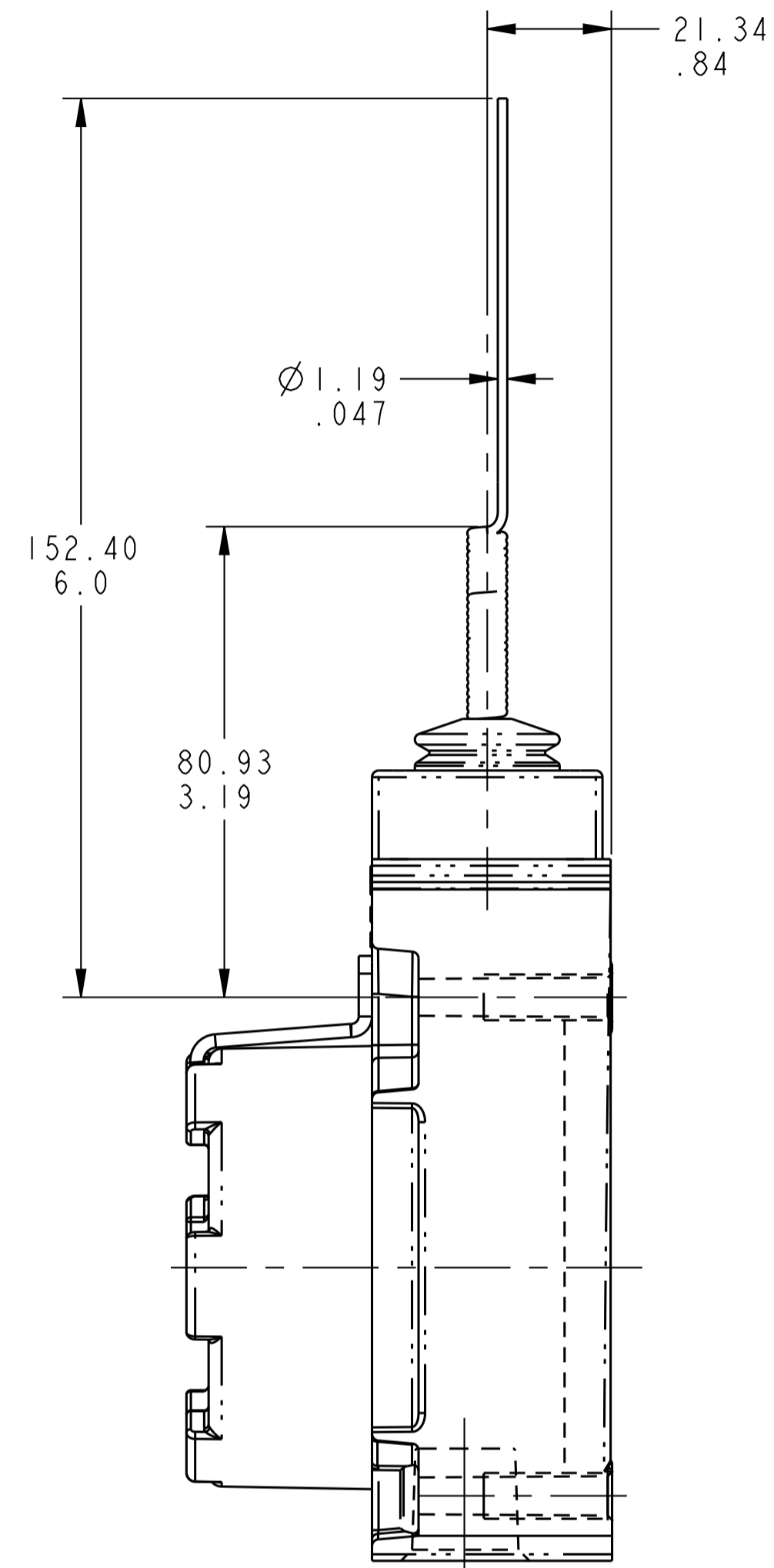
Honeywell

TITLE: **SWITCH - ENCLOSED**

SIZE: A1	CAGE CODE: 91926	DWG NO: BX SERIES CHART 1	TYPE: I	REV: 18
SCALE: 1:1		REF WT:	SHEET 5 of 6	

PART NUMBER

CAT WHISKER



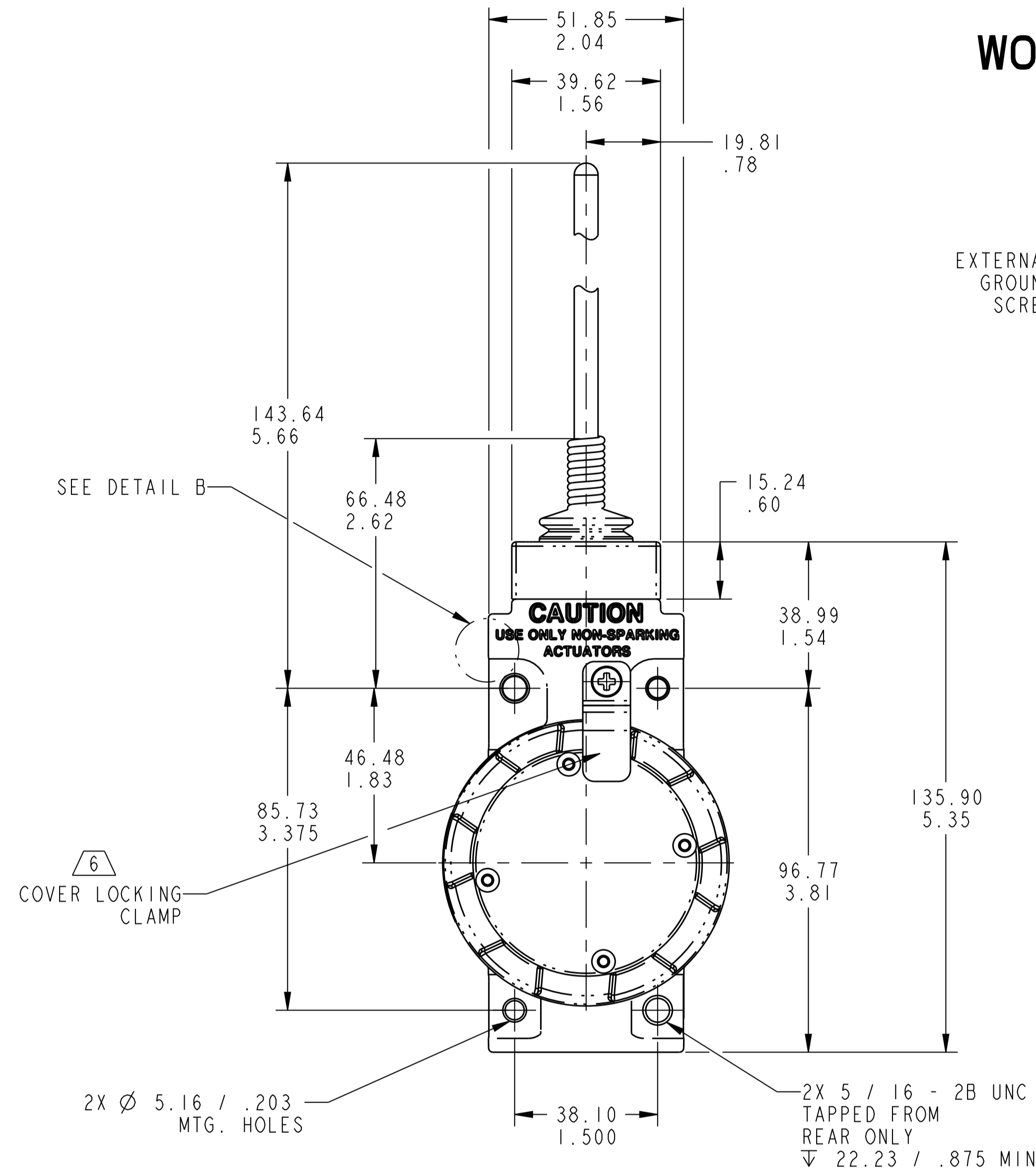
WIRE EXTENSION
TYPE 8A ACTUATOR

TYPE BXK (3&7) 1/2 -14 NPT CONDUIT ³/₃
 TYPE BXK (1&4) 3/4 - 14 NPT CONDUIT ³/₃
 TYPE BX3K (1 THRU 4) PG 13.5 CONDUIT
 TYPE BX4K (1 THRU 4) 20 MM CONDUIT
 TYPE BX5K (1 THRU 4) PF 1/2 CONDUIT

REPLACEMENT ACTUATOR
LSXZ4012

	CAT WHISKER	WOBBLE STICK
PRETRAVEL (APPROX) IN RADIUS	6 IN WIRE 50.80 2.0	ROD 25.40 1.0
OPERATING FORCE - OZ (MAX)	1.4 N 5.0	2.8 N 10.0

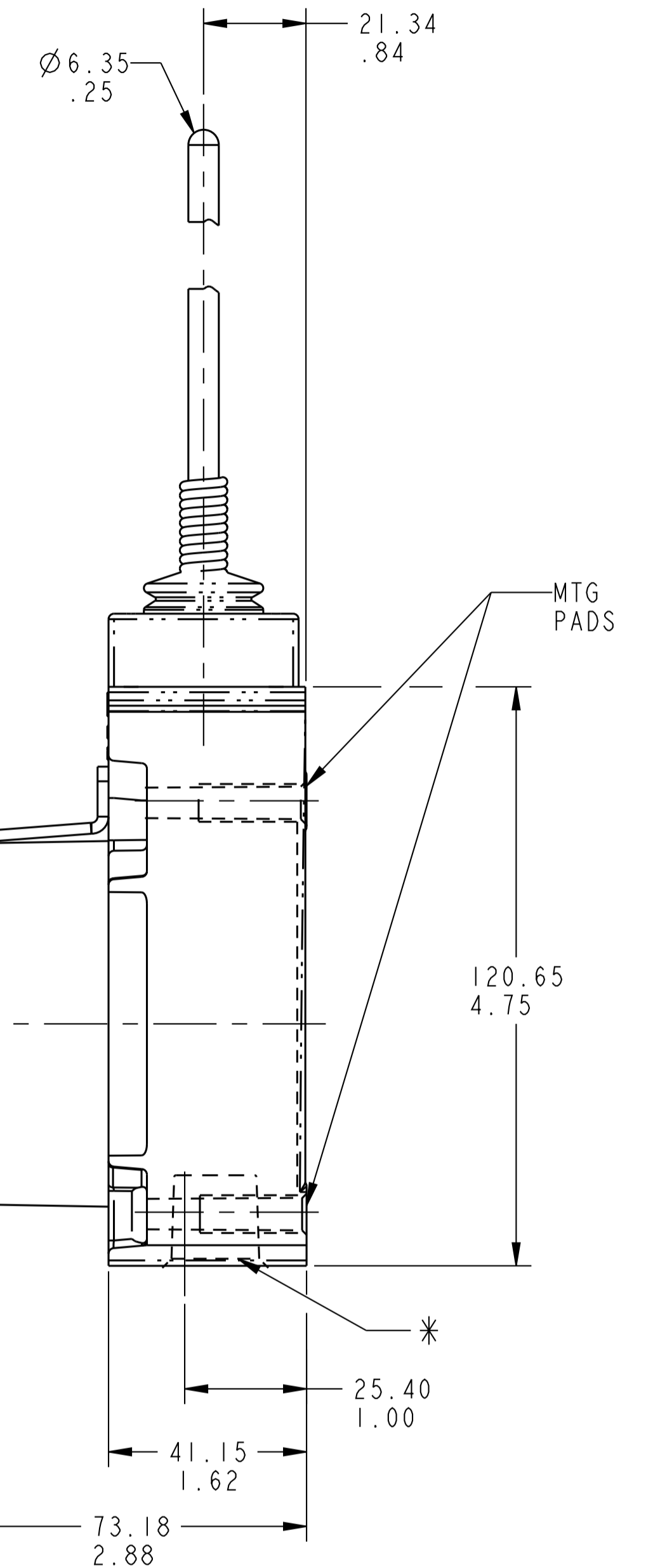
WOBBLE STICK



PLASTIC EXTENSION
TYPE 7A ACTUATOR

TYPE BXJ (3&7) 1/2 -14 NPT CONDUIT ³/₃
 TYPE BXJ (1&4) 3/4 - 14 NPT CONDUIT ³/₃
 TYPE BX3J (1 THRU 4) PG 13.5 CONDUIT
 TYPE BX4J (1 THRU 4) 20 MM CONDUIT
 TYPE BX5J (1 THRU 4) PF 1/2 CONDUIT

REPLACEMENT ACTUATOR
LSZ4009



Honeywell

TITLE
SWITCH - ENCLOSED

SIZE A1	CAGE CODE 91926	DWG NO BX SERIES CHART 1	TYPE I	REV 18
SCALE 1:1		REF WT:	SHEET 6 of 6	