

# MICRO SWITCH

FREEPORT ILLINOIS, U.S.A  
A DIVISION OF HONEYWELL  
FED. MFG. CODE 91929

## SWITCH-BASIC

CATALOG LISTING

### BZ-2R258

### AGR9025

# BZ-2R258

# M

DRAWING NUMBER

ISSUE

6

REVISIONS

A CO-58037 SMA 1 OCT 85

B CO-77591 DAW 22 JUN 94

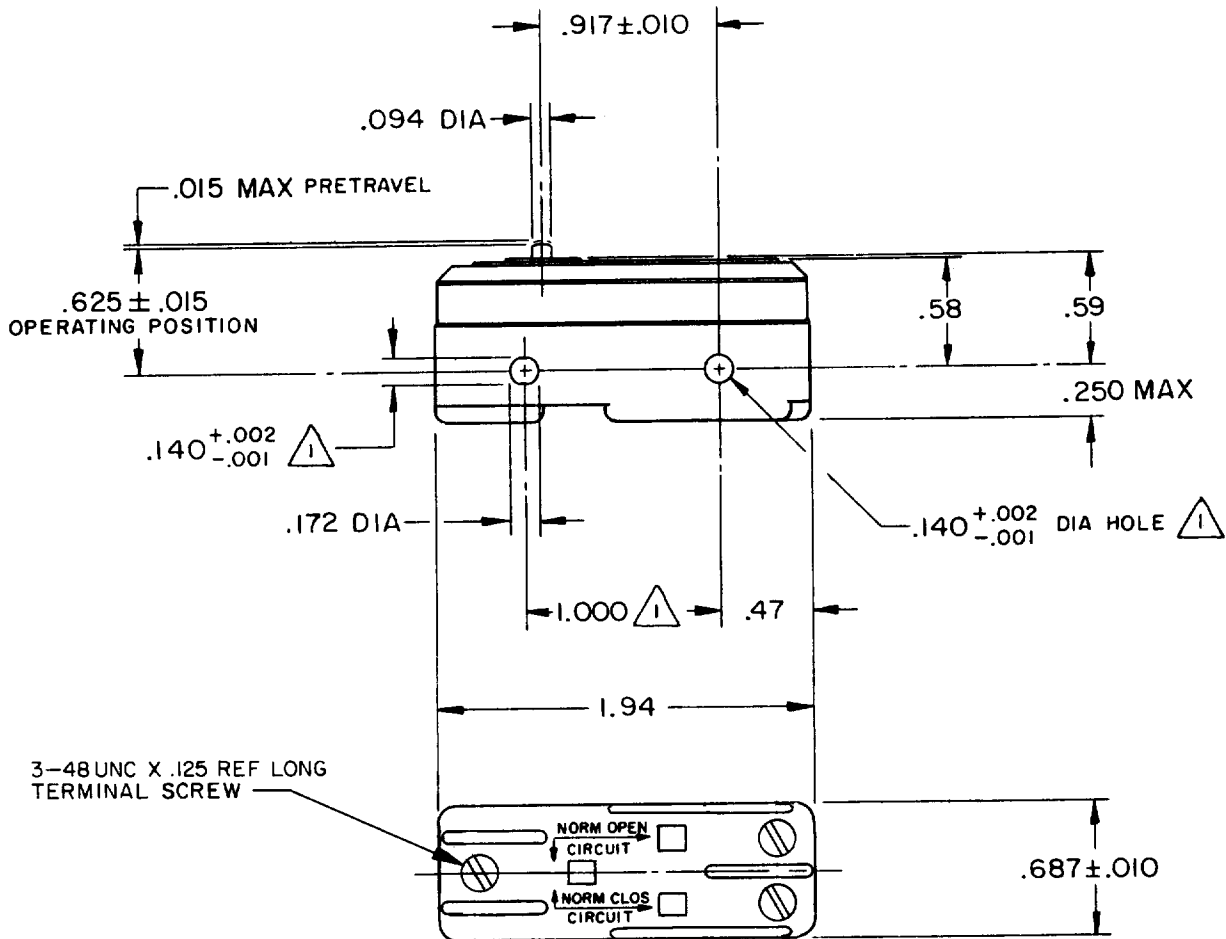
C C093346 DLT 1 SEP 98

D CO-94212-C DLT 14 SEP 99

E 0018448 DVM 17 FEB 06

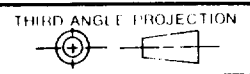
FORMTEK  
FO-52848-A  
DRAWN

REPLACES X70641-BZ  
RELEASE NO. PR-8523  
CHECK  
17 FEB 06  
RJ  
8 MAR 80  
C E B  
80  
MAR 80  
J A P 16



NOTE  
 MOUNTING HOLES WILL ACCEPT PINS OR SCREWS OF .139 MAX DIA ON 1.000 ± .002 CENTERS

THIS DRAWING COVERS A PROPRIETARY ITEM AND IS THE PROPERTY OF MICRO SWITCH, A DIVISION OF HONEYWELL. THIS DRAWING IS NOT TO BE COPIED OR USED WITHOUT THE APPROVAL OF MICRO SWITCH.



CHARACTERISTICS	
OPERATING FORCE	9-13 OZ
RELEASE FORCE	4 OZ MIN
DIFFERENTIAL TRAVEL	.0004-.0020
OVERTRAVEL	.005 MIN

ELECTRICAL DATA	
CONTACT ARRANGEMENT S P D T	
15A-125, 250 OR 480 VAC, 2A-600 VAC 1/8HP-125 VAC; 1/4HP-250 VAC CODE L74 1/2A-125 VDC; 1/4A-250 VDC	
L288	
L315	
L306	
16A 250V ~ T85 5E4	

SCALE FULL			
DO NOT SCALE PRINT			
TOLERANCES			
APPLY TO DESIGN UNITS. CONVERSIONS ARE ONLY FOR REFERENCE. UNLESS NOTED, TOLERANCES ARE ±			
DIM.	TOL.	DIM.	TOL.
mm	mm/in	in	mm/in
NO PLACES	X	1/04	
ONE PLACE	X,X	0.4/016	X X 0.8/03
TWO PLACES	X,XX	0.15/006	X XX 0.38/015
THREE PLACES	X,XXX		X XXX 0.13/005
ANGLES			
SI METRIC		US CUSTOMARY	
DESIGN UNITS	<input type="checkbox"/>	<input checked="" type="checkbox"/>	
WEIGHT	.050 LB		