

# HONEYWELL

*See full Datasheet below...*

**onlinecomponents.com**  
*THE ONLINE DISTRIBUTOR OF ELECTRONIC COMPONENTS*

**BUY NOW**

 **MASTER**<sup>TM</sup>  
E L E C T R O N I C S

**BUY NOW**

masterelectronics.com & onlinecomponents.com  
are **authorized** e-commerce distributors  
of electronic components.

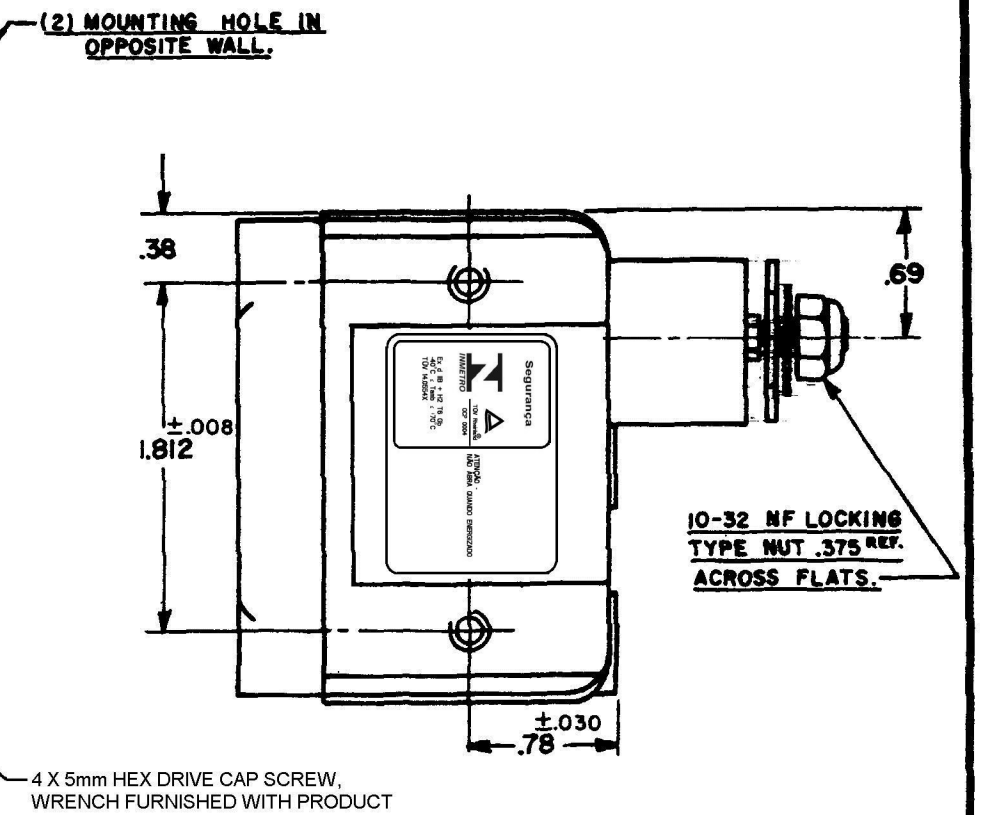
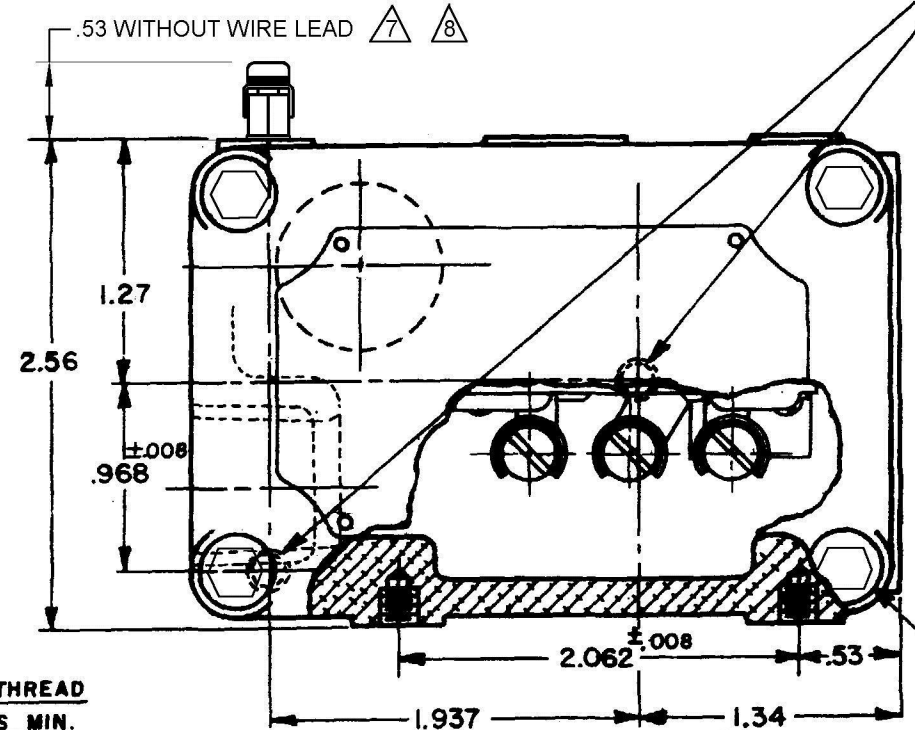
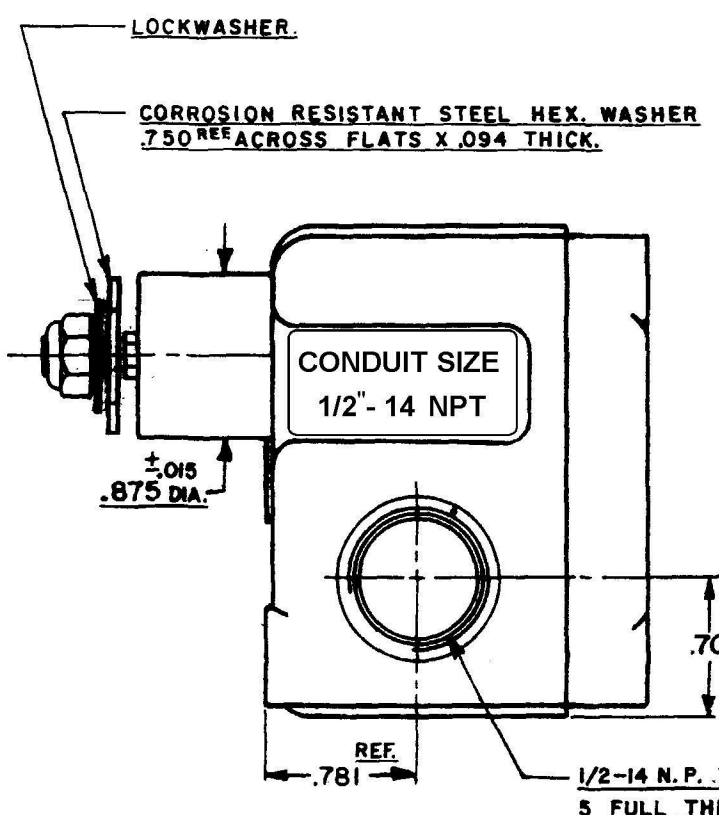
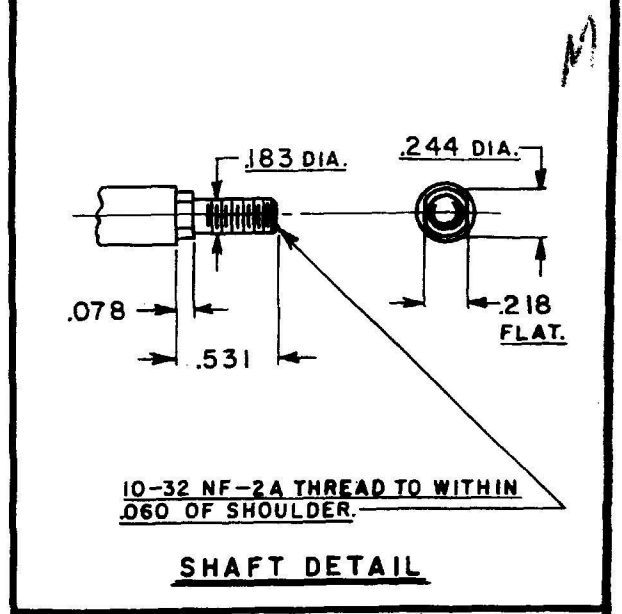
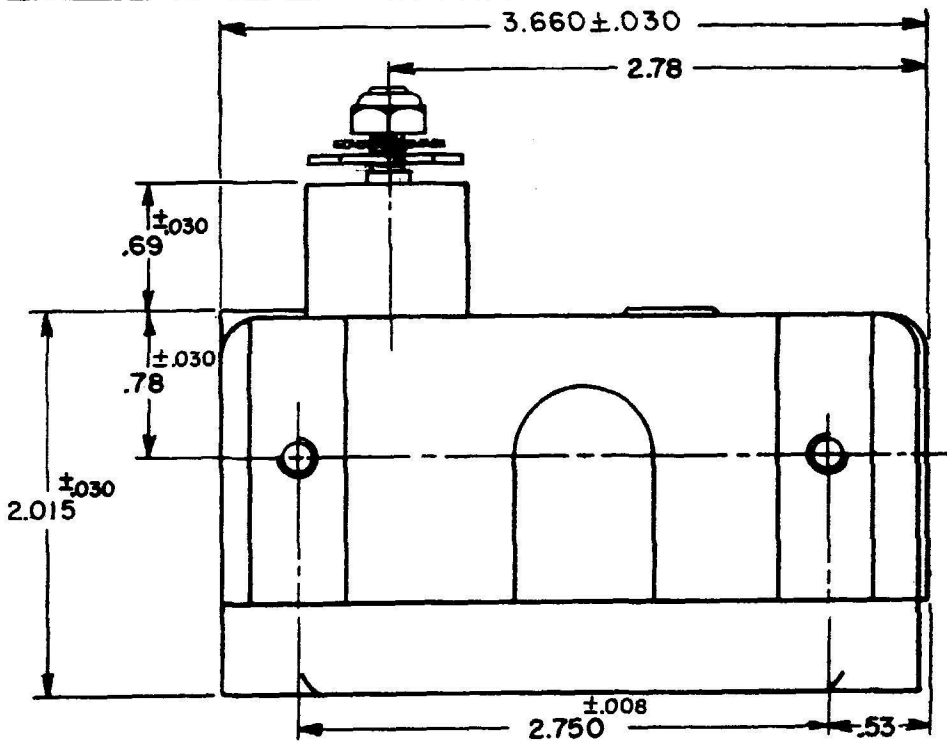
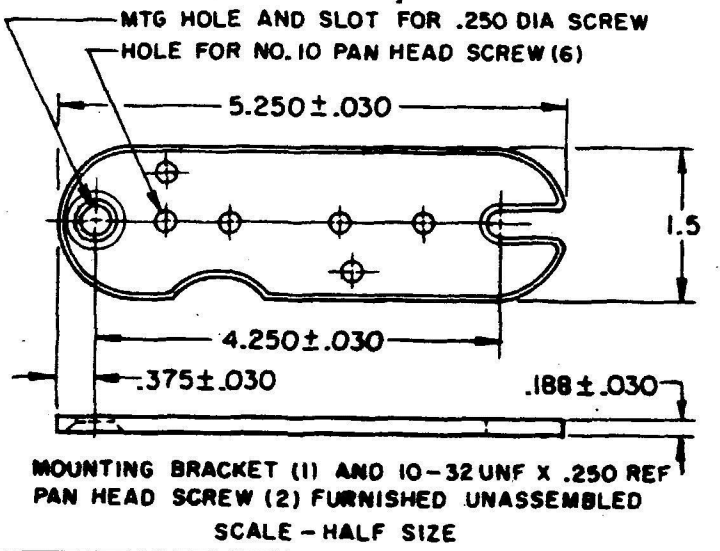
**MICRO SWITCH**

**SWITCH - ENCLOSED**

**EX-AR20**

A DIVISION OF HONEYWELL INFORMATION SYSTEMS COMPANY  
 FEDERAL MFR. CODE 91929

EX-AR20  
 DRAWING NUMBER  
 ISSUE 22  
 CMH  
 16OCT15  
 CHECK 16OCT15  
 REVISIONS  
 L C073016  
 MAM  
 19 SEP 92  
 M 0012750  
 KR  
 26 APR 05  
 N 0068804  
 MBN  
 27 AUG 10  
 P 0124699  
 RGA  
 16OCT15  
 G.C.H. 12 FEB 57  
 G.C.H. 12 FEB 57  
 K.A.F. 4 FEB 57  
 DRAWN  
 74-963  
 RASTER



| CHARACTERISTICS                       |                                     |
|---------------------------------------|-------------------------------------|
| OPERATING TORQUE                      | --- 12.5 OZ. IN. MIN.               |
| OPERATING TORQUE                      | --- 31.25 OZ. IN. MAX.              |
| RELEASE TORQUE                        | --- 6.25 OZ. IN. MIN.               |
| PRETRAVEL                             | --- 8° .219 MAX.                    |
| DIFFERENTIAL TRAVEL                   | --- 1/4" .007 MAX.                  |
| OVERTRAVEL                            | --- DO NOT OVERTRAVEL MORE THAN 90° |
| SWITCH - BASIC REPLACEMENT - BZ-2R-P4 |                                     |

| ELECTRICAL DATA                 |   |
|---------------------------------|---|
| CONTACT ARRANGEMENT<br>S P D T. |   |
| -L96-                           | 15 A - 125, 250, OR 480 VAC<br>1/2 A - 125 VDC; 1/4 A - 250 VDC<br>1/8 HP - 125 VAC; 1/4 HP - 250 VAC |

| SCALE - FULL               |        |
|----------------------------|--------|
| DO NOT SCALE PRINT         |        |
| UNLESS OTHERWISE SPECIFIED |        |
| DIMENSIONS ARE IN INCHES   |        |
| <b>TOLERANCES ARE:</b>     |        |
| ONE PLACE (.0)             | ± .030 |
| TWO PLACE (.00)            | ± .018 |
| THREE PLACE (.000)         | ± .008 |
| ANGLES                     | ±      |
| WEIGHT                     |        |

**NOTE-**

- (8) MOUNTING SCREW HOLES, 10-32 NF-2B THREADS X .219 REF. DEEP.
- 8-32 NC X .219 REF. TERMINAL SCREWS AND CUP WASHERS.
- EXPLOSION PROOF - UNDERWRITERS LAB. INC. LISTED FOR HAZARDOUS LOCATIONS NEMA 7, CLASS I, GROUPS C AND D, NEMA 9, CLASS II, GROUPS E, F AND G.
- SWITCH OPERATES ON RIGHT HAND CLOCKWISE ROTATION.
- EUROPEAN HAZARDOUS LOCATIONS DESIGNATION: Ex d IIB + H2 T6 CATAGORY II 2 G
- SEAL RATING: NEMA 1
- EXTERNAL GROUND SCREW MAY BE ASSEMBLED TO ANY UNUSED MOUNTING SCREW HOLE
- ASSEMBLY PROVIDED SPLIT LOCKWASHER BETWEEN GROUND LUG AND HOUSING
- BRAZILIAN HAZARDOUS LOCATION DESIGNATION: Ex d IIB+H2 T6 Gb -40 °C ≤ Tamb ≤ +70 °C

THIS DRAWING COVERS A PROPRIETARY ITEM AND IS THE PROPERTY OF MICRO SWITCH, A DIVISION OF HONEYWELL. THIS DRAWING IS NOT TO BE COPIED OR USED WITHOUT THE APPROVAL OF MICRO SWITCH