

# HONEYWELL

*See full Datasheet below...*

**onlinecomponents.com**  
*THE ONLINE DISTRIBUTOR OF ELECTRONIC COMPONENTS*

**BUY NOW**

 **MASTER**<sup>TM</sup>  
ELECTRONICS

**BUY NOW**

masterelectronics.com & onlinecomponents.com  
are **authorized** e-commerce distributors  
of electronic components.

**EX-AR30**  
**M**  
**K 12**  
**24**  
**CMH**  
**16OCT15**  
**REPLACES ISSUE 7**  
**RELEASE NO.**  
**REVISIONS**  

L	C070715B	TSM	10 OCT 91
M	C073019	MAM	19 SEP 92
N	C074362	TSM	10 FEB 93
P	C077285	KEU	19 APR 94
R	0012750	KR	27 APR 05
T	0068804	MBN	27 AUG 10
U	0124699	RGA	16 OCT 15

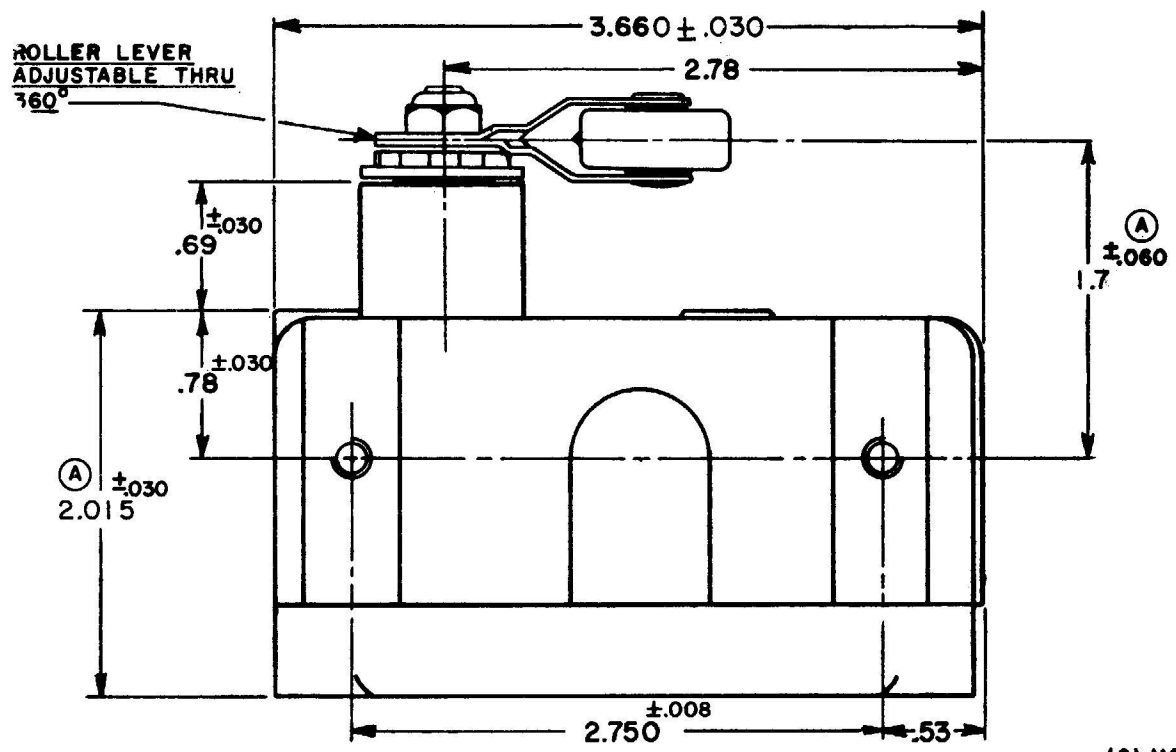
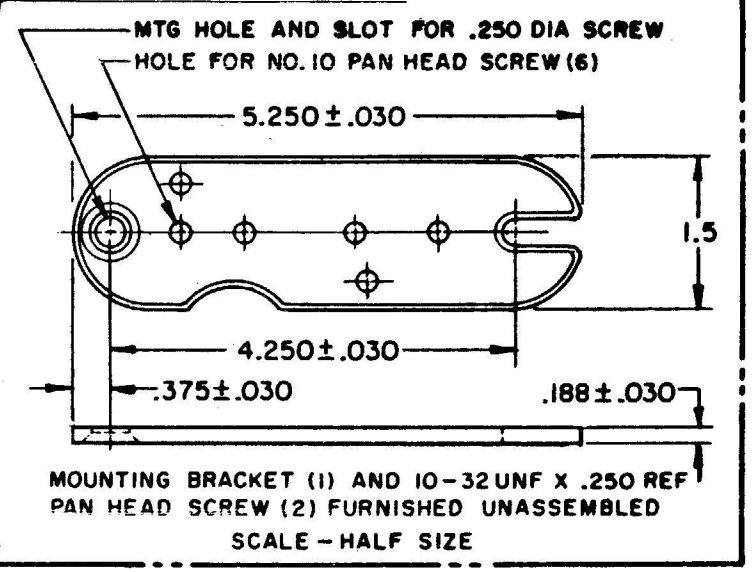
**MICRO SWITCH**  
A DIVISION OF MINNEAPOLIS HONEYWELL REGULATOR COMPANY  
ROSCOPOT, ILLINOIS

**SWITCH-ENCLOSED**

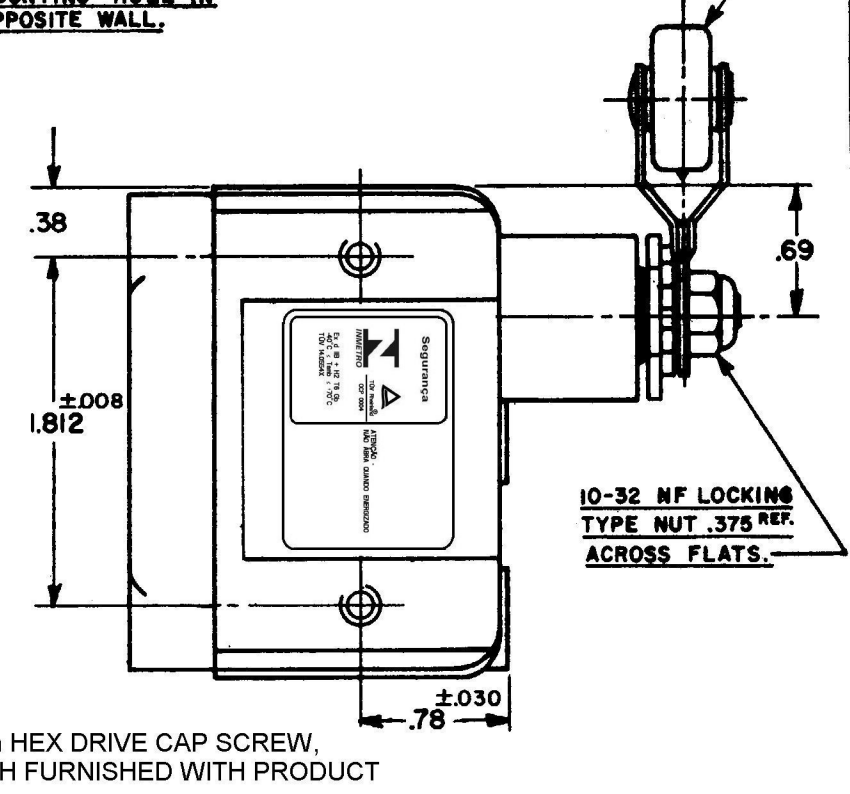
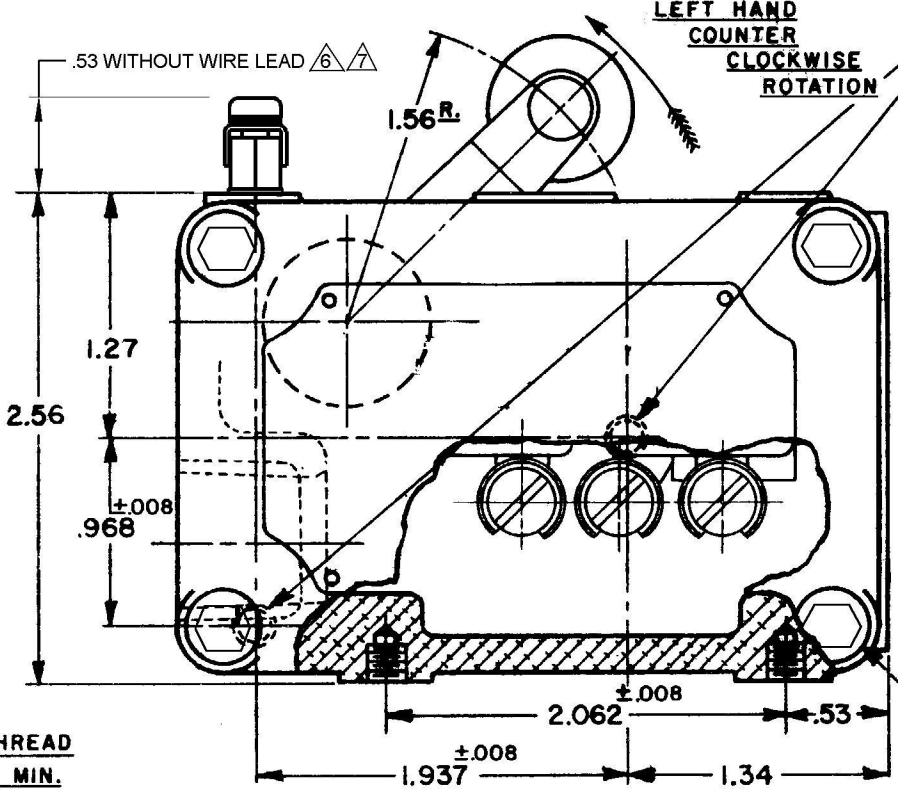
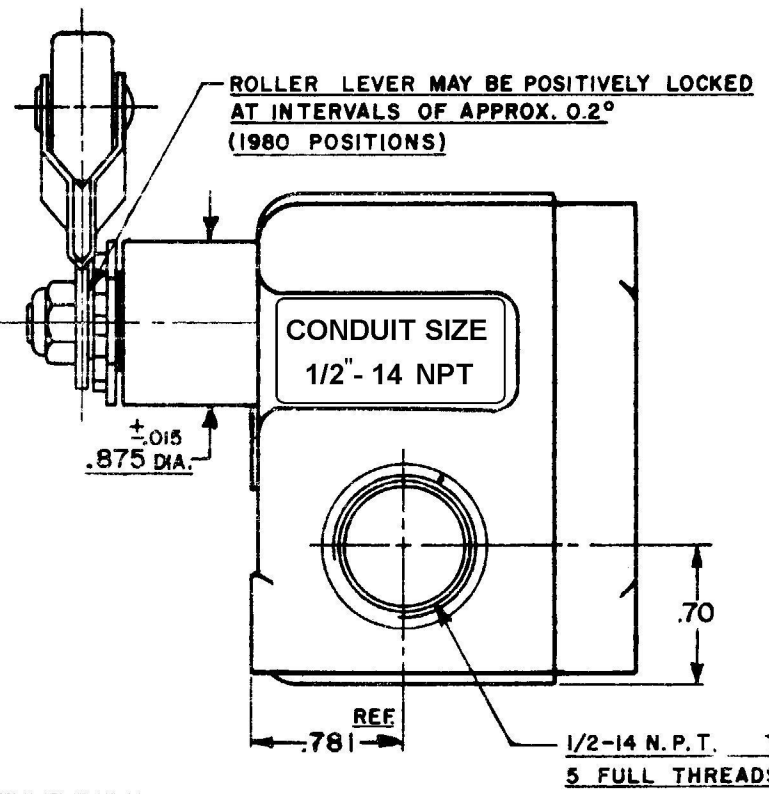
CATALOG LISTING  
**EX-AR30**

THIS DRAWING COVERS A PROPRIETARY ITEM AND IS THE PROPERTY OF MICRO SWITCH, A DIVISION OF HONEYWELL. THIS DRAWING IS NOT TO BE COPIED OR USED WITHOUT THE APPROVAL OF MICRO SWITCH.

FED. MFR. CODE 91929



REF. 750 DIA. X .312 REF. WIDE ROLLER MADE OF NON-SPARKING WEAR RESISTANT MATERIAL.



CHARACTERISTICS	
OPERATING FORCE	2 1/2 LBS. MAX.
PRETRAVEL	3 1/2° (.065 MAX.)
DIFFERENTIAL TRAVEL	1/4° (.007 MAX.)
OVERTRAVEL	DO NOT OVERTRAVEL MORE THAN 25°
SWITCH-BASIC REPLACEMENT	BZ-2R-P4

ELECTRICAL DATA	
CONTACT ARRANGEMENT	S. P. D. T.
(A) -L96-	15 A-125, 250, OR 480 VAC 1/2 A-125 VDC; 1/4 A-250 VDC 1/8 HP-125 VAC; 1/4 HP-250 VAC

SCALE-FULL	
DO NOT SCALE PRINT	
UNLESS OTHERWISE SPECIFIED	
DIMENSIONS ARE IN INCHES	
TOLERANCES ARE:	
ONE PLACE (.0)	±.030
TWO PLACE (.00)	±.018
THREE PLACE (.000)	±.008
ANGLES	±.008
WEIGHT	

- NOTES
- (8) MOUNTING SCREW HOLES, 10-32 NF-2B THREADS X .219 REF DEEP
  - 8-32 NC X .219 REF TERMINAL SCREWS AND CUPWASHERS
  - EXPLOSION PROOF - UNDERWRITERS LAB. INC. LISTING FOR HAZARDOUS LOCATIONS NEMA 7, CLASS I, GROUPS C AND D, NEMA 9, CLASS II GROUPS E, F AND G
  - EUROPEAN HAZARDOUS LOCATIONS DESIGNATION: Ex d IIB + H2 T6 CATEGORY II 2 G
  - SEAL RATING: NEMA 1
  - EXTERNAL GROUND SCREW MAY BE ASSEMBLED TO ANY UNUSED MOUNTING SCREW HOLE
  - ASSEMBLE PROVIDED SPLIT LOCKWASHER BETWEEN GROUND LUG AND HOUSING
  - BRAZILIAN HAZARDOUS LOCATION DESIGNATION: Ex d IIB+H2 T6 Gb -40 °C ≤ Tamb ≤ +70 °C

