

HONEYWELL

See full Datasheet below...

onlinecomponents.com
THE ONLINE DISTRIBUTOR OF ELECTRONIC COMPONENTS

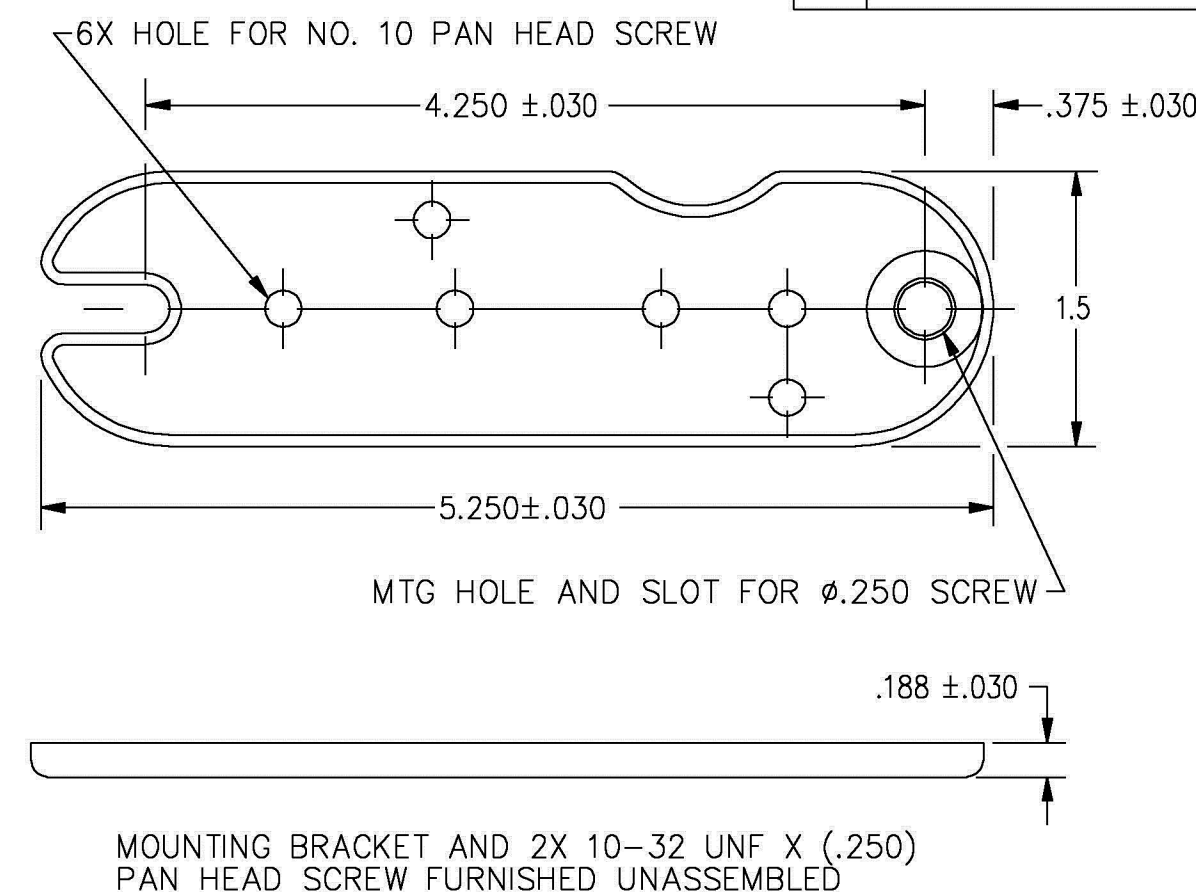
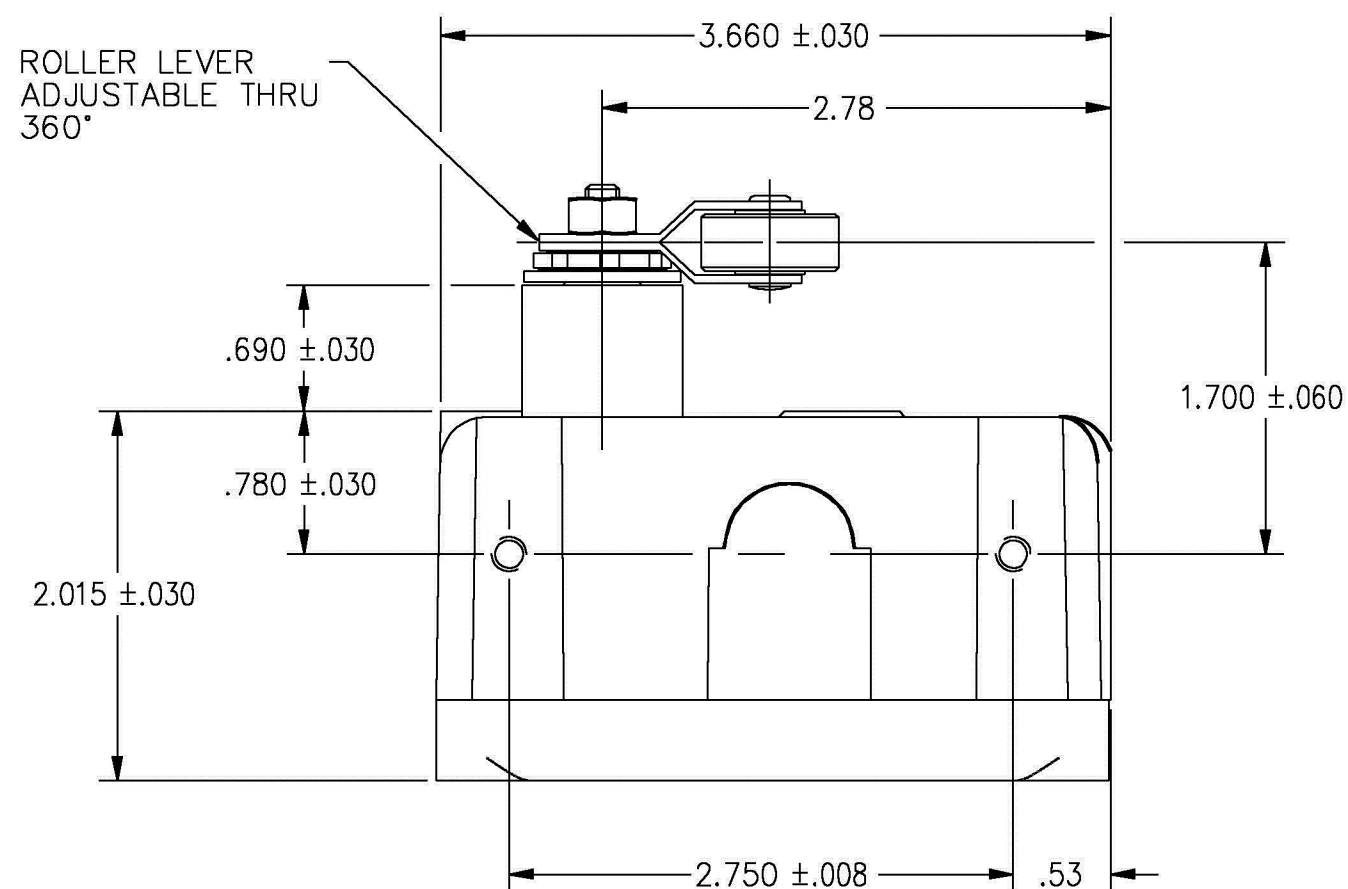
BUY NOW

 **MASTER**TM
E L E C T R O N I C S

BUY NOW

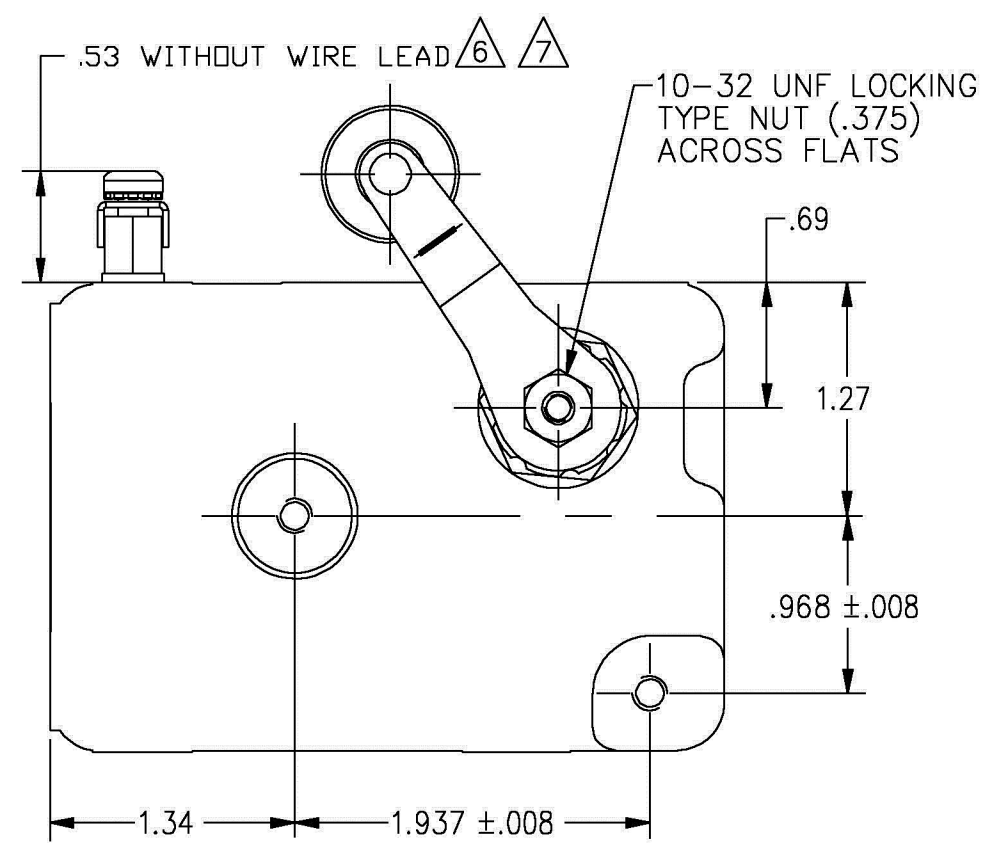
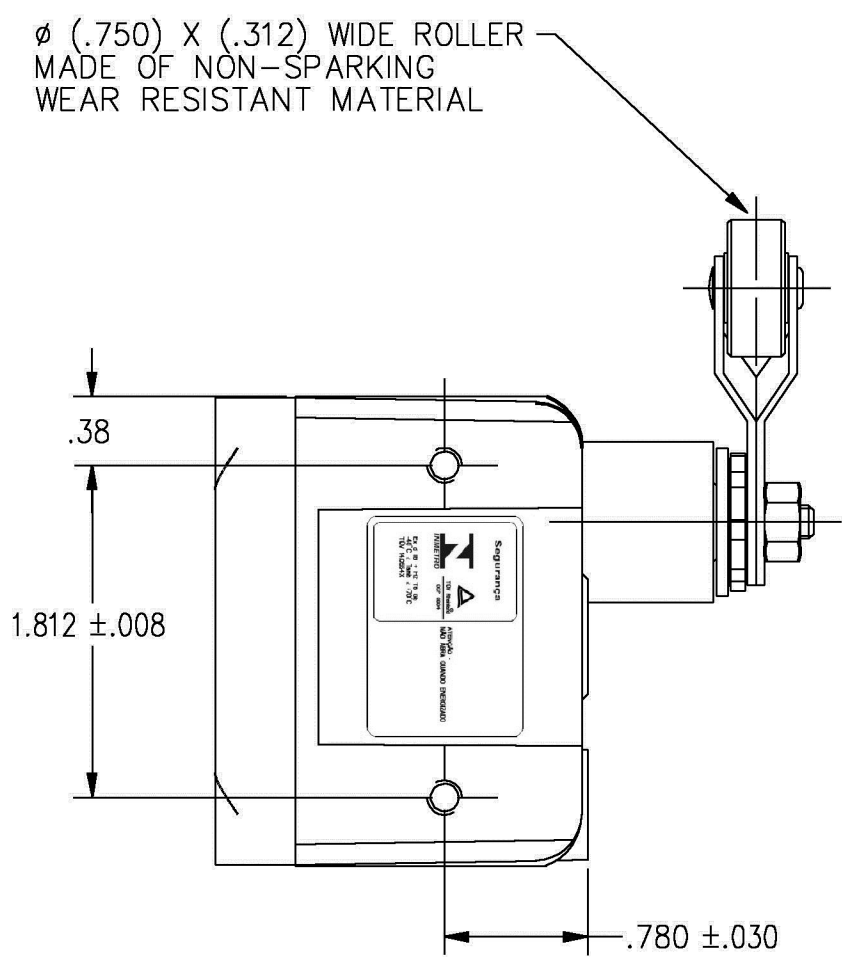
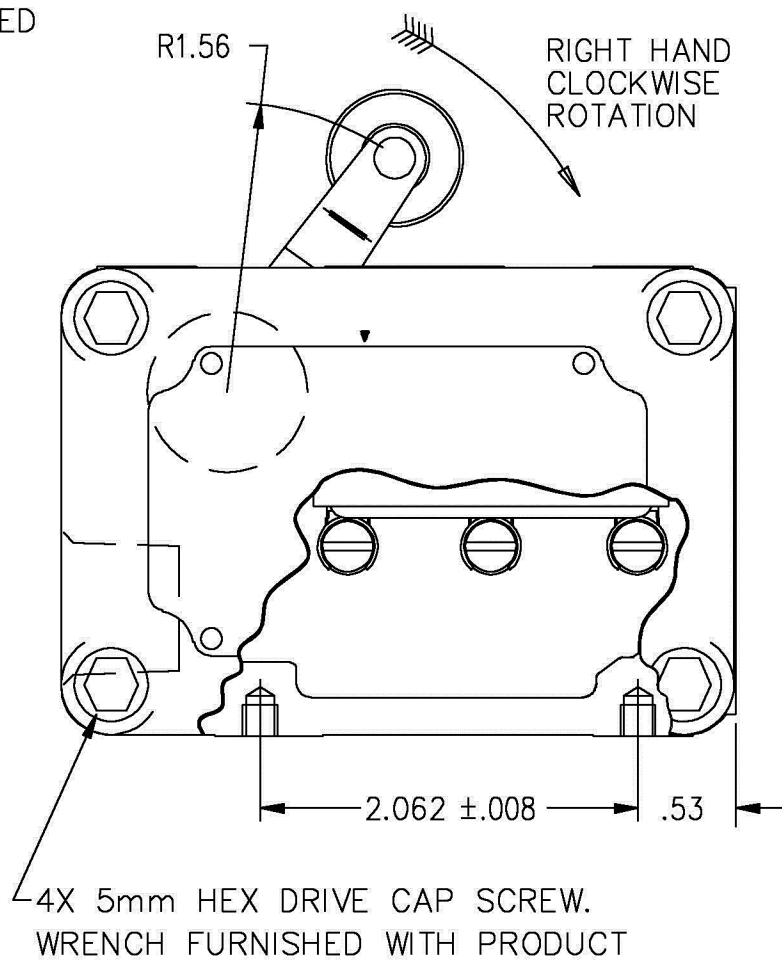
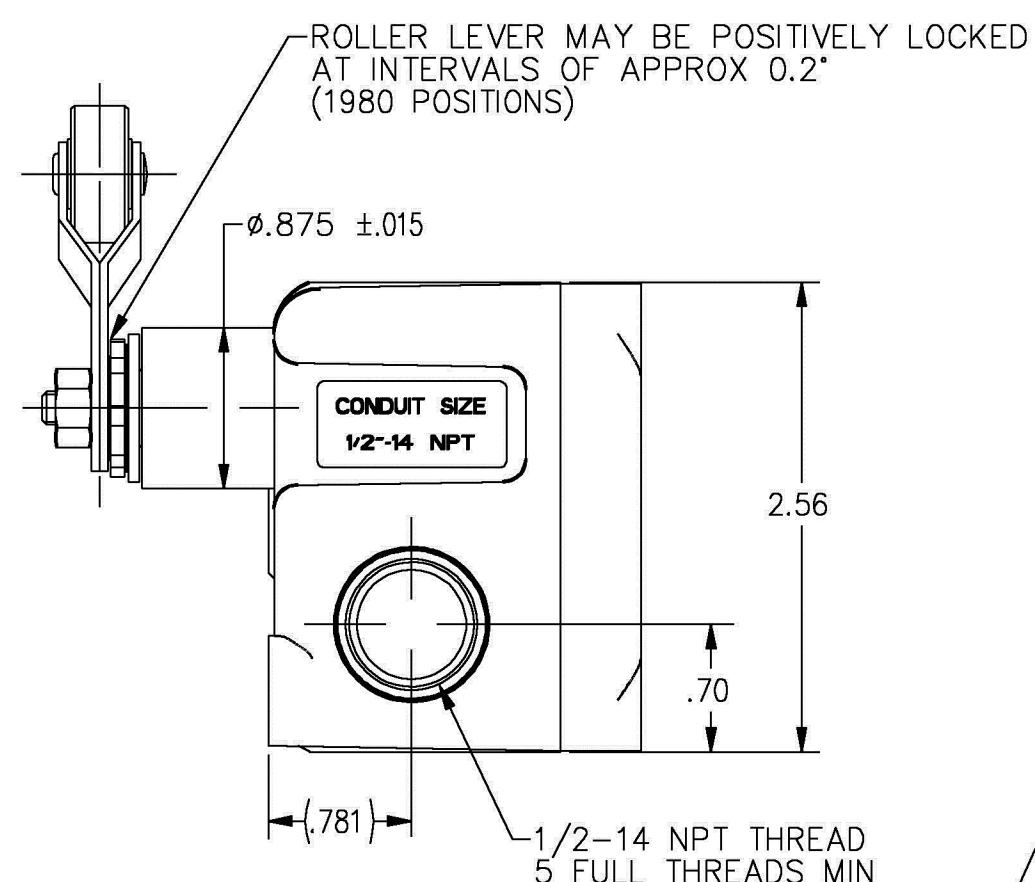
masterelectronics.com & onlinecomponents.com
are **authorized** e-commerce distributors
of electronic components.

M EX-AR



MOUNTING BRACKET AND 2X 10-32 UNF X (.250) PAN HEAD SCREW FURNISHED UNASSEMBLED

AUTOCAD DRAWN
 S A V 16 OCT 92
 CHECK C M H 4 JUN 09
 CHECK C M H 15 OCT 15
 REVISIONS
 D 0124669 RKS 15 OCT 15
 C 0052827 KNR 4 JUN 09
 B 0012750 KNR 26 APR 05
 A 73751 S O V 8 OCT 92
 EX-AR
 DRAWING NUMBER
 M
 RELEASE NO.
 REPLACES



- NOTES**
- 1 - EXPLOSION PROOF - UNDERWRITERS LAB INC LISTED FOR HAZARDOUS LOCATIONS NEMA 7, CLASS I, GROUPS C AND D, NEMA 9 CLASS II, GROUPS E, F, AND G
 - 2 - 8X MOUNTING SCREW HOLE, 10-32 UNF THREADS X (.219) DEEP
 - 3 - 8-32 UNC X (.219) TERMINAL SCREWS AND CUPWASHERS
 - 4 - EUROPEAN HAZARDOUS LOCATIONS DESIGNATION: Ex d IIB + H2 T6 CATEGORY II 2 G
 - 5 - SEALING RATING : NEMA 1
 - 6 - EXTERNAL GROUND SCREW MAY BE ASSEMBLED TO ANY UNUSED MOUNTING SCREW HOLE
 - 7 - ASSEMBLY PROVIDED SPLIT LOCKWASHER BETWEEN GROUND LUG AND HOUSING.
 - 8 - BRAZILIAN HAZARDOUS LOCATION DESIGNATION : Ex d IIB+H2 T6 Gb, -40 °C ≤ Tamb ≤ +70 °C

CHARACTERISTICS	ELECTRICAL DATA
OPERATING FORCE — — 1/2 - 1 1/4 LB	CONTACT ARRANGEMENT S P D T
RELEASE FORCE — — — 1/4 LB MIN	L96
PRETRAVEL — — — .219 MAX 8"	15A 125, 250 OR 480 VAC
DIFFERENTIAL TRAVEL — — .007 MAX 1/4"	1/8HP 125 VAC, 1/4HP 250 VAC
DO NOT OVERTRAVEL MORE THAN — — 90°	1/2A 125 VDC, 1/4A 250 VDC
SWITCH - BASIC REPLACEMENT - BZ-2R-P4	



MASTER REDUCED
ANSI Y14.5M-1982 APPLIES

THIS DRAWING COVERS A PROPRIETARY ITEM AND IS THE PROPERTY OF MICRO SWITCH. A DIVISION OF HONEYWELL. THIS DRAWING IS NOT TO BE COPIED OR USED WITHOUT THE APPROVAL OF MICRO SWITCH.

MICRO SWITCH
a Honeywell Division

SWITCH - ENCLOSED

CATALOG LISTING
EX-AR

FED. MFG. CODE 91929

THIRD ANGLE PROJECTION

SCALE FULL

DO NOT SCALE PRINT

UNLESS OTHERWISE SPECIFIED TOLERANCES ARE

ONE PLACE	(.0)	±.030
TWO PLACES	(.00)	±.015
THREE PLACES	(.000)	±.005
ANGLES		±

WEIGHT