

HONEYWELL

See full Datasheet below...

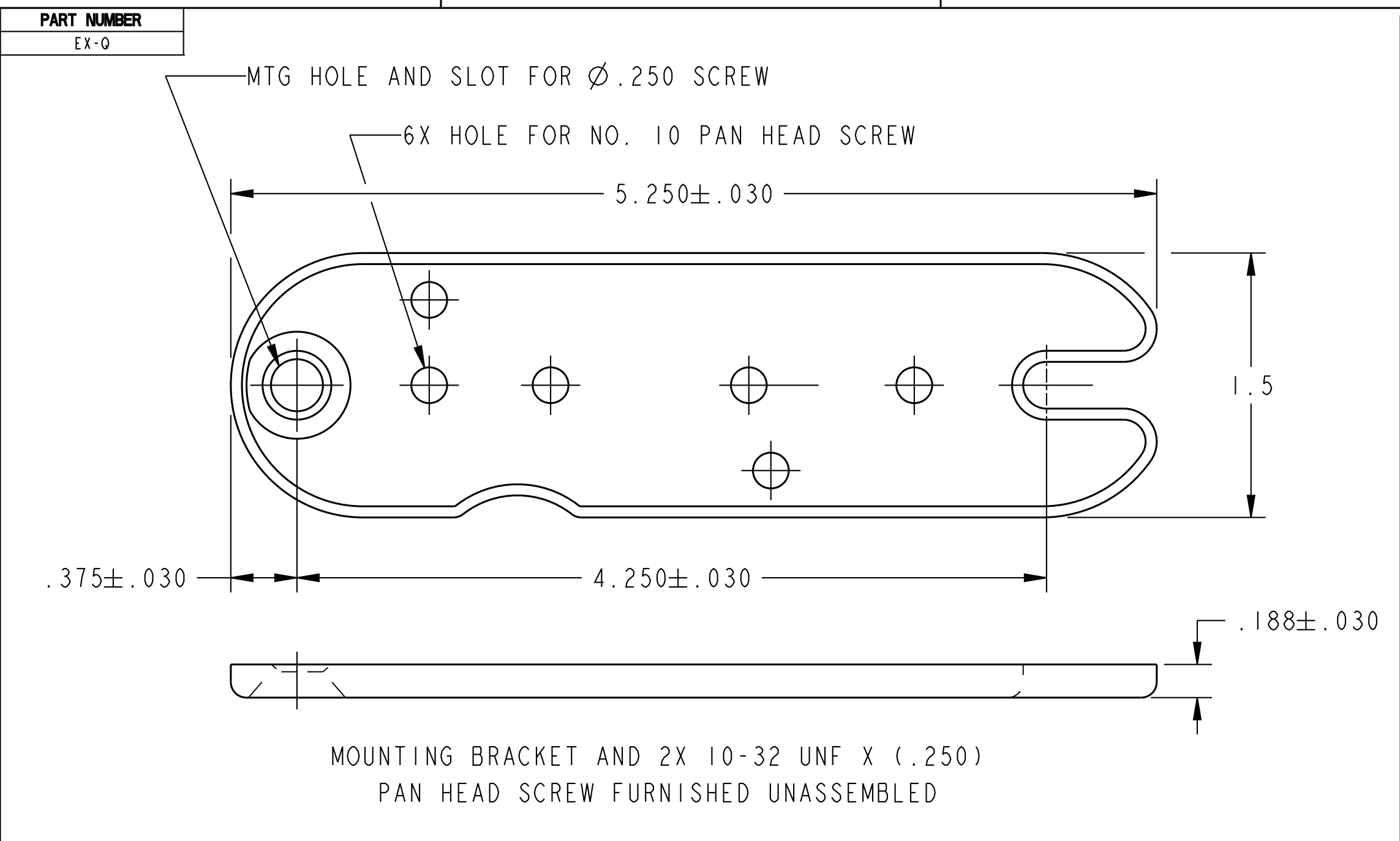
onlinecomponents.com
THE ONLINE DISTRIBUTOR OF ELECTRONIC COMPONENTS

BUY NOW

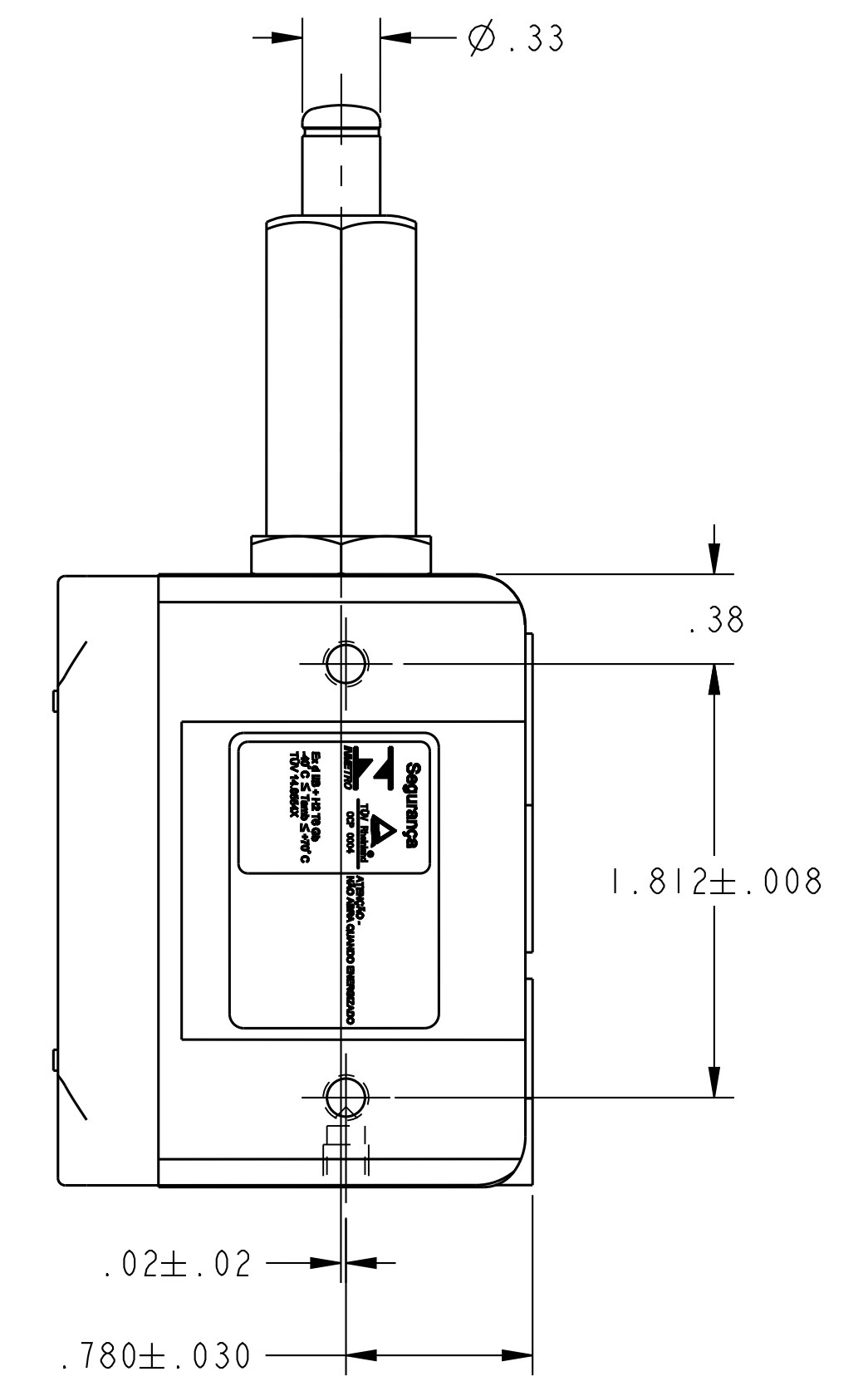
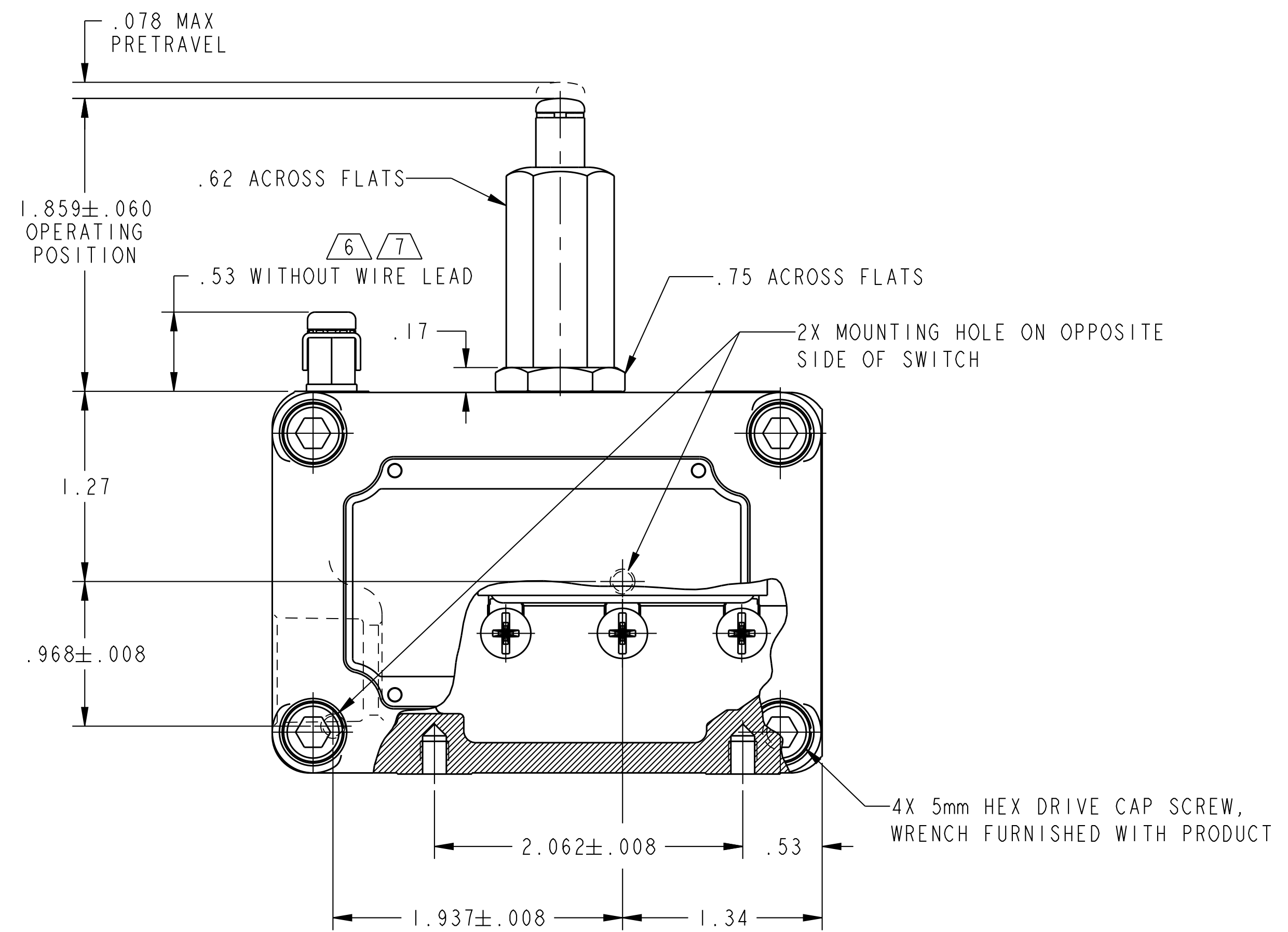
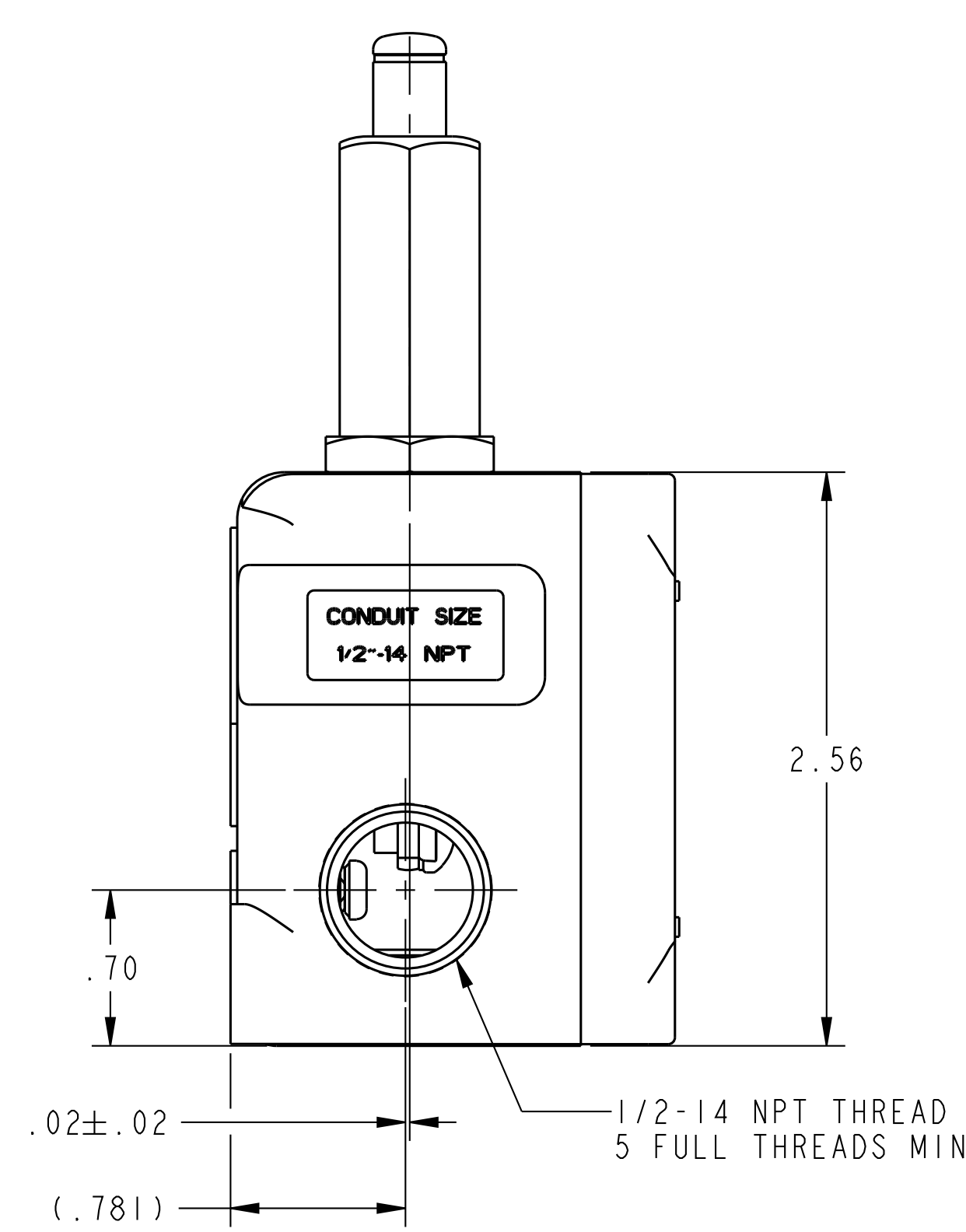
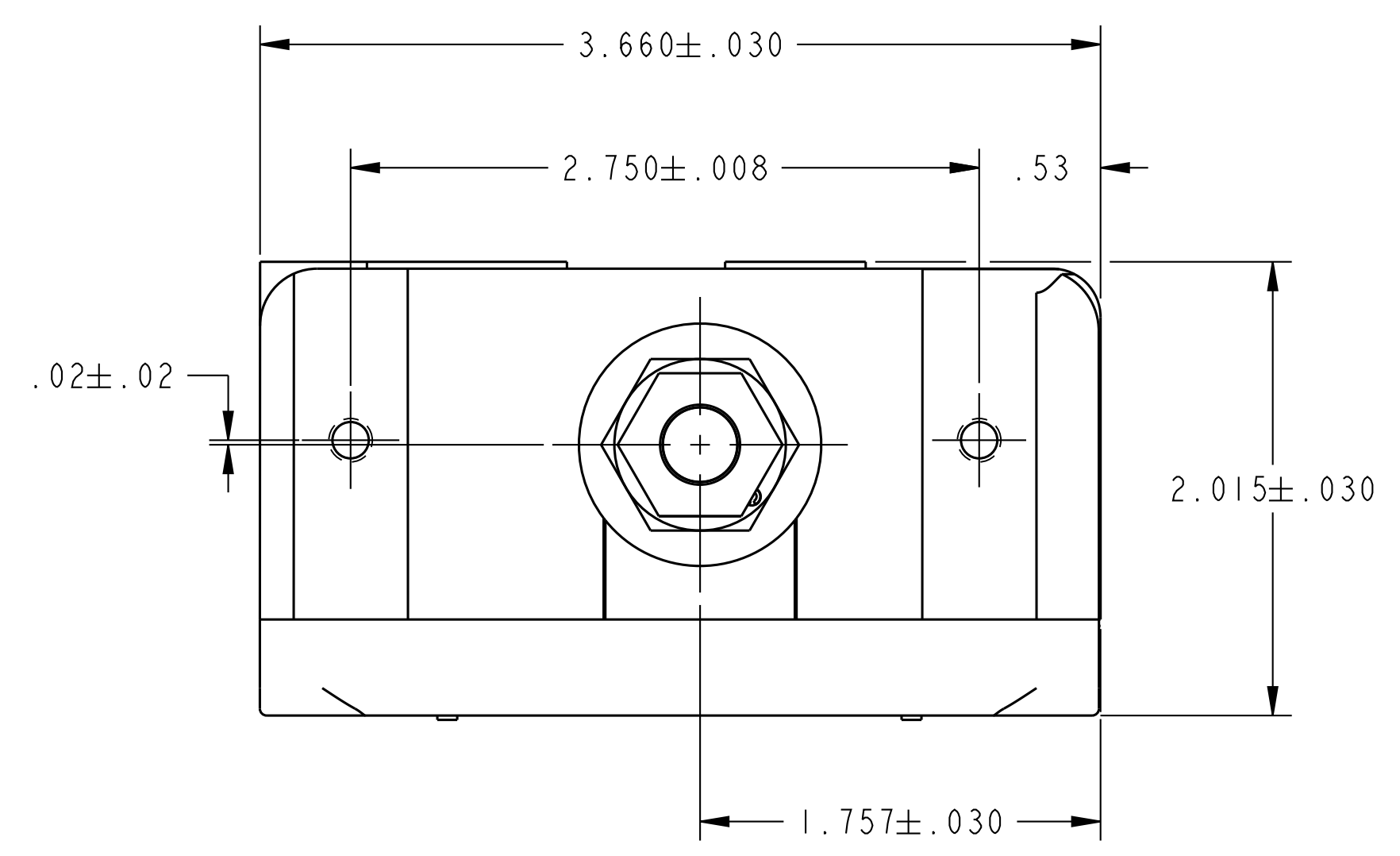
 **MASTER**TM
ELECTRONICS

BUY NOW

masterelectronics.com & onlinecomponents.com
are **authorized** e-commerce distributors
of electronic components.



REVISION HISTORY					
REV	DOCUMENT	DESCRIPTION	CHGD BY	DATE	APPROVED
29	0129443	REDRAWN WITH CHANGE	RKA	2016-05-02	M. MANTUA



- NOTES:
- 8X MOUNTING SCREW HOLE 10-32 UNF THREAD X (.219) DEEP
 - 8-32 UNC X (.219) TERMINAL SCREWS AND CUPWASHERS
 - EXPLOSION PROOF - UNDERWRITER'S LAB INC. LISTED RATING FOR HAZARDOUS LOCATIONS NEMA 7, CLASS I, GROUPS C AND D, NEMA 9, CLASS II, GROUPS E, F AND G
 - EUROPEAN HAZARDOUS LOCATIONS DESIGNATION: Ex d IIB+H2 T6 CATEGORY II 2G
 - SEAL RATING: NEMA I
 - EXTERNAL GROUND SCREW MAY BE ASSEMBLED TO ANY UNUSED MOUNTING SCREW HOLE
 - ASSEMBLE PROVIDED SPLIT LOCKWASHER BETWEEN GROUND LUG AND HOUSING
 - BRAZILIAN HAZARDOUS LOCATION DESIGNATION: Ex d IIB+H2 T6 Gb -40°C ≤ T_{amb} ≤ +70°C

CHARACTERISTICS	ELECTRICAL DATA
OPERATING FORCE----- 3 LB MAX	CONTACT ARRANGEMENT S P D T
RELEASE FORCE----- 3/4 LB MIN	-L96- 15A-125, 250, OR 480VAC 1/2A-125VDC; 1/4A-250VDC 1/8HP-125VAC; 1/4HP-250VAC
DIFFERENTIAL TRAVEL----- .004 MAX	
OVERTRAVEL----- .188 MIN	
SWITCH-BASIC REPLACEMENT-- BZ-2R-P4	

UNLESS OTHERWISE SPECIFIED DIMENSIONS ARE IN INCHES		THIRD ANGLE PROJECTION				Honeywell SWITCH - ENCLOSED	
DECIMAL TOL	NO PLACE --- ±.030	1 PLACE --- ±.015	2 PLACE --- ±.005				
MATERIAL	FINISH	SCALE	CAGE CODE	DWG NO	TYPE	REV	
		3:2	D 91929	EX-Q	I	29	
APPLICABLE DOCUMENTS: ASME Y14.100-2013 ASME Y14.5-2009		RELEASE DATE	REF WT:	SHEET	1 of 1		
COMPUTER GENERATED DRAWING: PRO/ENGINEER		DRW: MBF	1966-10-27	HONEYWELL CONFIDENTIAL THIS DOCUMENT CONTAINS PROPRIETARY INFORMATION AND SUCH INFORMATION MAY NOT BE DISCLOSED TO OTHERS FOR ANY PURPOSES WITHOUT WRITTEN PERMISSION FROM HONEYWELL			