

HONEYWELL

See full Datasheet below...

onlinecomponents.com
THE ONLINE DISTRIBUTOR OF ELECTRONIC COMPONENTS

BUY NOW

 **MASTER**TM
ELECTRONICS

BUY NOW

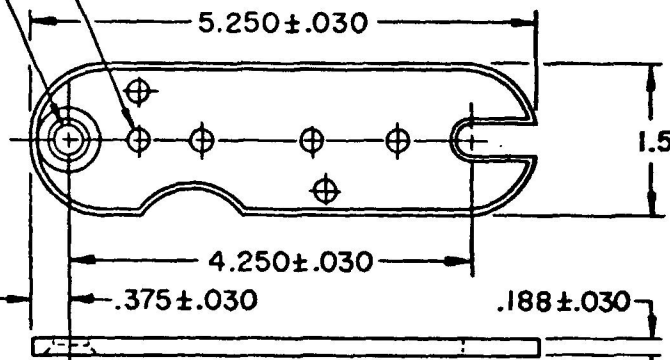
masterelectronics.com & onlinecomponents.com
are **authorized** e-commerce distributors
of electronic components.

MICRO SWITCH
 FREEPORT ILLINOIS U.S.A.
 A DIVISION OF HONEYWELL
 FED. MFG. CODE 91928

SWITCH-ENCLOSED

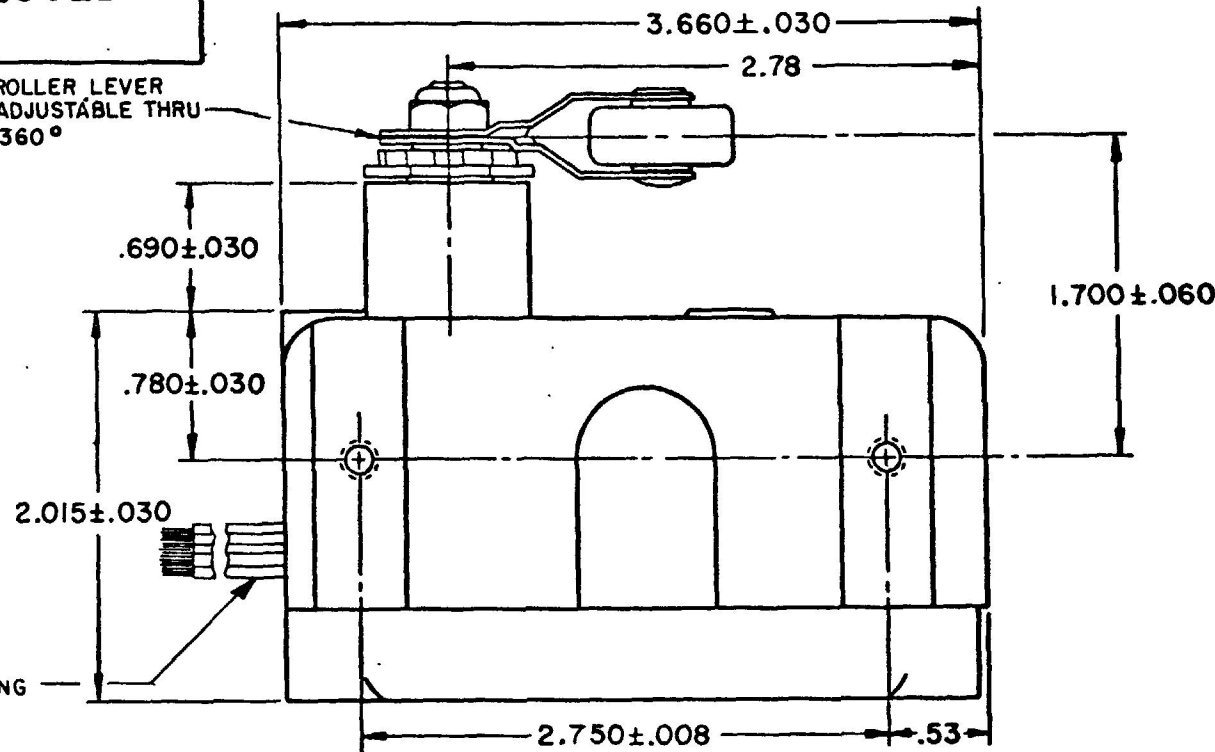
CATALOG LISTING
EXD-AR-3

MTG HOLE AND SLOT FOR .250 DIA SCREW
 HOLE FOR NO. 10 PAN HEAD SCREW (6)



MOUNTING BRACKET (1) AND 10-32 UNF X .250 REF PAN HEAD SCREW (2) FURNISHED UNASSEMBLED
 SCALE - HALF SIZE

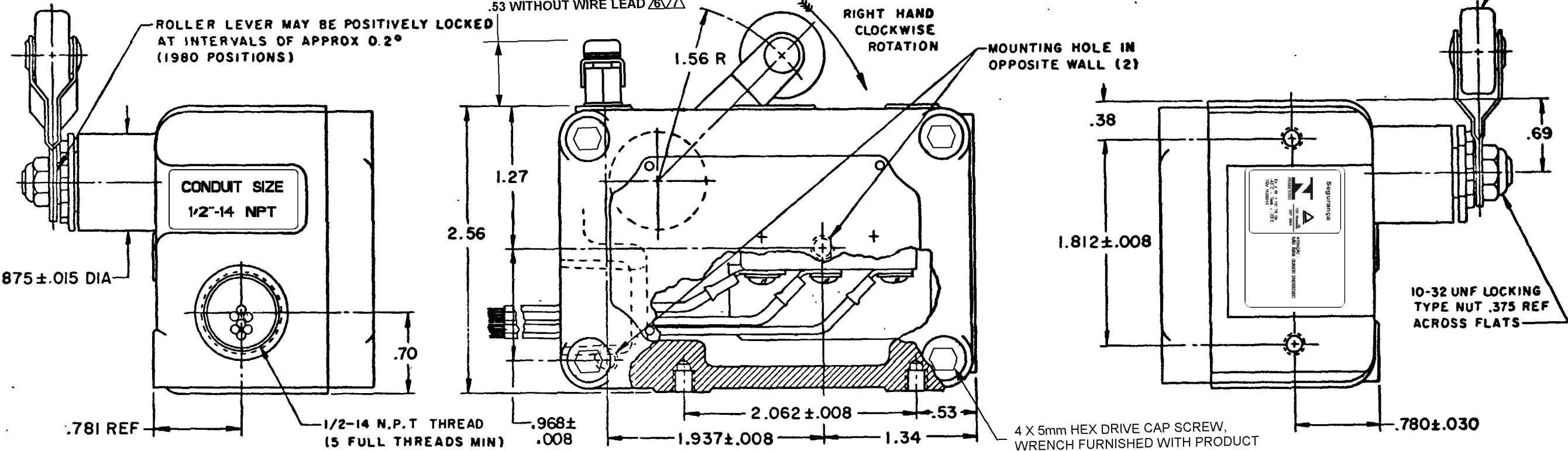
ROLLER LEVER ADJUSTABLE THRU 360°



NO. 14 LEADS PVC INSULATION 36.000 MIN BEYOND HOUSING
 3 (7)

.750 REF DIA X .312 REF WIDE
 ROLLER MADE OF NON-SPARKING
 WEAR RESISTANT MATERIAL

ROLLER LEVER MAY BE POSITIVELY LOCKED AT INTERVALS OF APPROX 0.2° (1980 POSITIONS)



10-32 UNF LOCKING TYPE NUT .375 REF ACROSS FLATS

M	EXD-AR-3	REPLACES	PR-8880																																				
		RELEASE NO.	15OCT15																																				
DRAWING NUMBER	10	CHECK	CMH																																				
ISSUE	10	CHECK	AK																																				
REVISIONS	<table border="1"> <tr><td>A</td><td>CO</td><td>58360</td><td>9 NOV 85</td></tr> <tr><td>B</td><td>CO60496</td><td>JAS</td><td>1 NOV 86</td></tr> <tr><td>C</td><td>CO61381</td><td>DAW</td><td>23 APR 87</td></tr> <tr><td>D</td><td>CO63239</td><td>TLB</td><td>22 MAR 88</td></tr> <tr><td>E</td><td>CO73019</td><td>MAM</td><td>19 SEP 92</td></tr> <tr><td>F</td><td>0012750</td><td>DVM</td><td>26 APR 05</td></tr> <tr><td>G</td><td>0017245</td><td>KRB</td><td>28 NOV 05</td></tr> <tr><td>H</td><td>0070470</td><td>SJK</td><td>14OCT10</td></tr> <tr><td>J</td><td>0124699</td><td>SMD</td><td>15OCT15</td></tr> </table>			A	CO	58360	9 NOV 85	B	CO60496	JAS	1 NOV 86	C	CO61381	DAW	23 APR 87	D	CO63239	TLB	22 MAR 88	E	CO73019	MAM	19 SEP 92	F	0012750	DVM	26 APR 05	G	0017245	KRB	28 NOV 05	H	0070470	SJK	14OCT10	J	0124699	SMD	15OCT15
A	CO	58360	9 NOV 85																																				
B	CO60496	JAS	1 NOV 86																																				
C	CO61381	DAW	23 APR 87																																				
D	CO63239	TLB	22 MAR 88																																				
E	CO73019	MAM	19 SEP 92																																				
F	0012750	DVM	26 APR 05																																				
G	0017245	KRB	28 NOV 05																																				
H	0070470	SJK	14OCT10																																				
J	0124699	SMD	15OCT15																																				
DATE	5 JUNE 80	CHECK	80																																				
DRAWN	5 JUNE 80	CHECK	80																																				
FO-5285 1-A																																							

THIS DRAWING COVERS A PROPRIETARY ITEM AND IS THE PROPERTY OF MICRO SWITCH, A DIVISION OF HONEYWELL. THIS DRAWING IS NOT TO BE COPIED OR USED WITHOUT THE APPROVAL OF MICRO SWITCH.

THIRD ANGLE PROJECTION

SCALE	FULL
DO NOT SCALE PRINT	
TOLERANCES	
APPLY TO DESIGN UNITS. CONVERSIONS ARE ONLY FOR REFERENCE UNLESS NOTED. TOLERANCES ARE ±	
DIM.	TOL.
mm	mm/in
NO PLACES	± 17/64
ONE PLACE	± 0.010
TWO PLACES	± 0.0010
THREE PLACES	± 0.0005
FOUR PLACES	± 0.0002
DESIGN UNITS	
SI METRIC	US CUSTOMARY
RAW MATERIAL - COMMERCIAL STANDARD	
MICRO SWITCH STANDARDS APPLY	
DIMENSIONS ARE TO BE MET BEFORE PROTECTIVE COATINGS ARE APPLIED	
WEIGHT	

CHARACTERISTICS	ELECTRICAL DATA
OPERATING FORCE	CONTACT ARRANGEMENT
8-24 OZ	D P D T
RELEASE FORCE	10A-125 OR 250 VAC
4-12 OZ	0.3A-125 VDC; 0.15A-250 VDC
PRETRAVEL	CODE L59
.250 MAX	
DIFFERENTIAL TRAVEL	
.109 MAX	
OVERTRAVEL	
DO NOT OVERTRAVEL MORE THAN 25°	
BASIC SWITCH REPLACEMENT	
DT-2R4-A7	

- NOTES
- (8) MOUNTING SCREW HOLES, 10-32 UNF-2B THREADS X .219 REF. DEEP
 - EXPLOSION PROOF - UNDERWRITERS' LAB. INC. LISTED FOR HAZARDOUS LOCATIONS NEMA 7, CLASS 1, GROUPS B, C AND D, NEMA 9, CLASS II, GROUPS E, F AND G.
 - COM LEADS - BLACK, N.C. LEADS - RED, N.O. LEADS - BLUE, GROUND LEAD - GREEN
 - EUROPEAN HAZARDOUS LOCATIONS DESIGNATION: Ex dIIB + H2 T6 CATAGORY II 2 G
 - SEAL RATING: NEMA 1
 - EXTERNAL GROUND SCREW MAY BE ASSEMBLED TO ANY UNUSED MOUNTING SCREW HOLE
 - ASSEMBLE PROVIDED SPLIT LOCKWASHER BETWEEN GROUND LUG AND HOUSING
 - BRAZILIAN HAZARDOUS LOCATION DESIGNATION: Ex d IIB+H2 T6 Gb -40 °C ≤ Tamb ≤ +70 °C RASTER