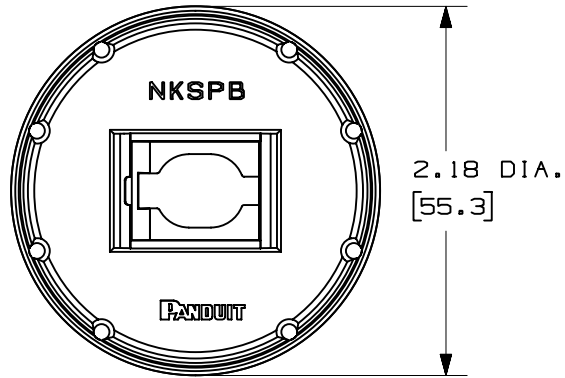


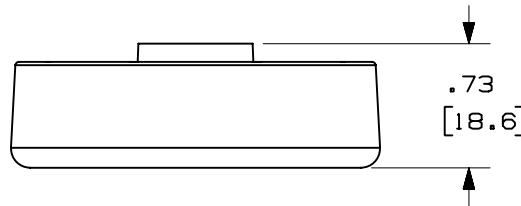
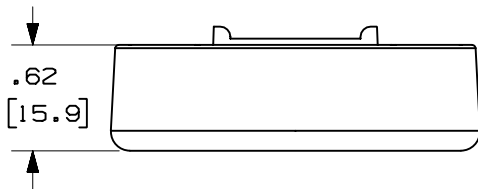
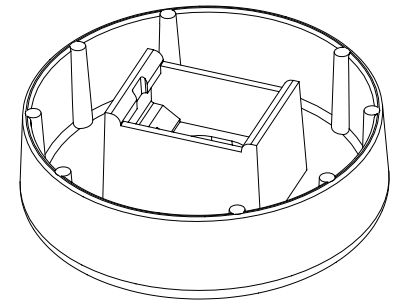
THIS COPY IS PROVIDED ON A RESTRICTED BASIS AND IS NOT TO BE USED IN ANY WAY DETRIMENTAL TO THE INTERESTS OF PANDUIT CORP.

PANDUIT PART NO.	WEIGHT
NKSPB	.007 LBS / EACH 3.18 g /EACH



NOTES:

1. SEE CURRENT CATALOG FOR ADDITIONAL PART NUMBER SUFFIXES TO INDICATE COLOR AND OR PACKAGE QUANTITY.
2. DIMENSIONS IN PARENTHESES ARE IN METRIC.



MODEL FILENAME	D38452BA_NKSPB_02.PRT	SIZE A
DRAWING FILENAME	D38452BA_DC_02B.PRT	

NETKEY™ PUNCHDOWN MODULE BASE
CUSTOMER DRAWING



I.I. NUMBER	N/A
PRODUCT SPEC	N/A
WORK INSTRUCTION	N/A
SCALE	NONE
PART NO.	NKSPB
DRAWING NO.	38452-02

<p>THIRD ANGLE PROJECTION</p>	<p>ALL DIMENSIONS ARE GIVEN IN INCHES, UNLESS OTHERWISE SPECIFIED.</p> <p>DIMENSIONAL TOLERANCES ARE: (.X) ±.03 (.XXX) ±.005 (.XX) ±.01 ANGLES ± 1°</p>
DRAWN BY JBN	MATERIAL: ABS
DATE 09-09-02	
CHK'D RGRO	

REV	DATE	BY	CHK	DESCRIPTION	ECN	R	CUST	SUP	OTH
1	10-21-02	JsP		A. REVISED TITLE.	38452-02				
R	09-09-02	JBN	RGRO	RELEASED TO PRODUCTION	38452-02				