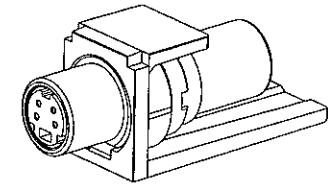
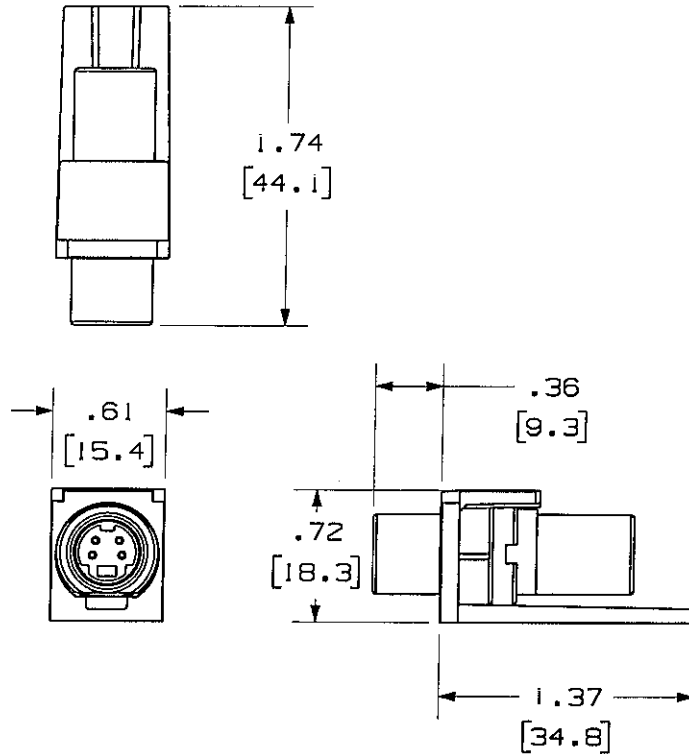


THIS COPY IS PROVIDED ON A RESTRICTED BASIS AND IS NOT TO BE USED IN ANY WAY DETRIMENTAL TO THE INTERESTS OF PANDUIT CORP.

PANDUIT P/N	WEIGHT
CMSVC**Y	.40 LB/10 PCS (181.3 g/10 PCS)

NOTES:

- SEE CURRENT CATALOG FOR ADDITIONAL PART NUMBER SUFFIXES TO INDICATE COLOR AND OR PACKAGE QUANTITY.
- SEE CATALOG FOR COMPLETE LIST OF PARTS APPLICABLE FOR USE WITH THIS PART.
- DIMENSIONS IN PARENTHESES ARE IN METRIC.
- PART INCLUDES:
 - 1- MODULE BASE
 - 1- S-VIDEO COUPLER (ASSEMBLED TO MODULE BASE)



MODEL FILENAME		M00823AA_CMSV_01.PRT	SIZE A
DRAWING FILENAME		M02479HC_DC187_00A.PRT	
MINI-COM S-VIDEO COUPLER MODULE CUSTOMER DRAWING			
		1.1. NUMBER	N/A
TINLEY PARK, ILL 60477		PRODUCT SPEC	N/A
THIRD ANGLE PROJECTION		WORK INSTRUCTION	N/A
ALL DIMENSIONS ARE GIVEN IN INCHES, UNLESS OTHERWISE SPECIFIED.		SCALE	NONE
DIMENSIONAL TOLERANCES ARE: (.X1) ± (.XXX1) ± .010(.3) (.XX) ± .03(.8) ANGLES ±		PART NO.	CMSVC**Y
DRAWN BY JsP	MATERIAL:	MODULE - ABS COUPLER - NICKEL PLATED	
DATE 3-18-06	CHK'D	DRAWING NO. 02479-187	

NETWORK SYSTEMS
MAY 25 2006
ENGINEERING DEPT

REV	DATE	BY	CHK	DESCRIPTION	ECN	R	CUST	SUP	OTH
R	3-18-06	JsP		RELEASED TO PRODUCTION	02479-187				