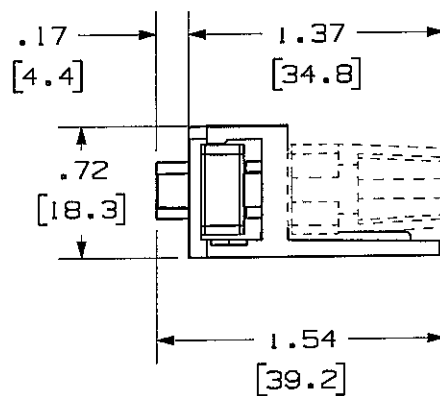
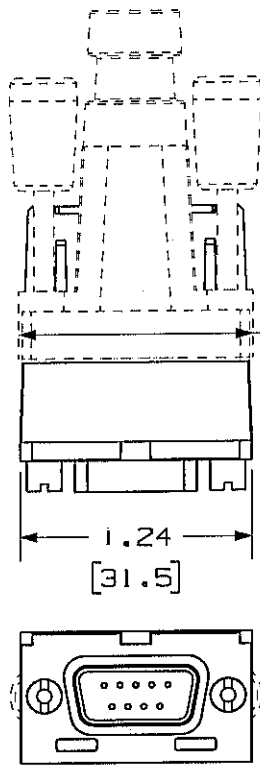


THIS COPY IS PROVIDED ON A RESTRICTED BASIS AND IS NOT TO BE USED IN ANY WAY DETRIMENTAL TO THE INTERESTS OF PANDUIT CORP.

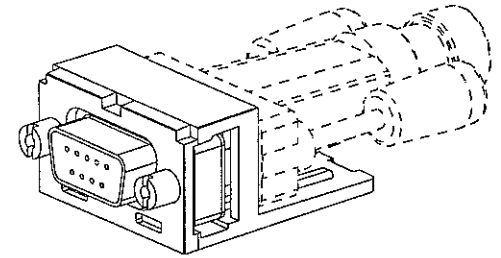
PANDUIT P/N	WEIGHT
CMD9C**Y	.33 LB/10 PCS (149.3 g/10 PCS)

NOTES:

- SEE CURRENT CATALOG FOR ADDITIONAL PART NUMBER SUFFIXES TO INDICATE COLOR AND OR PACKAGE QUANTITY.
- SEE CATALOG FOR COMPLETE LIST OF PARTS APPLICABLE FOR USE WITH THIS PART.
- DIMENSIONS IN PARENTHESES ARE IN METRIC.
- PART INCLUDES:
1- DUAL MODULE BASE
1- 9 PIN D-SUB COUPLER
(ASSEMBLED TO MODULE BASE)



.56
[14.1]
MAX PLUG HEIGHT



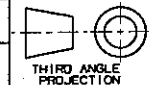
FIT AND FUNCTION OF MATING 9 PIN PLUG MUST BE VERIFIED IN CORRESPONDING COUPLER MODULE AND OUTLET SELECTION. PLUG NOT SOLD WITH COUPLER MODULE.

MODEL FILENAME M00741AQ_9CPLRMOD_ASSY_00.PRT	SIZE A
DRAWING FILENAME M02479HE_DC189_00A.PRT	

MINI-COM DUAL MODULE SPACE 9 PIN
D-SUB COUPLER MODULE
CUSTOMER DRAWING



ALL DIMENSIONS ARE GIVEN IN INCHES, UNLESS OTHERWISE SPECIFIED.
DIMENSIONAL TOLERANCES ARE:
(.X) ± (.XXX) ± .010(.3)
(.XX) ± .031(.8) ANGLES ±



THIRD ANGLE PROJECTION
DRAWN BY
JsP

DATE
8-8-06

CHK'D
MAD

MATERIAL
BASE: ABS

I.I. NUMBER	N/A
PRODUCT SPEC	N/A
WORK INSTRUCTION	N/A
SCALE	NONE
PART NO.	CMD9C**Y
DRAWING NO.	02479-189

REV	DATE	BY	CHK	DESCRIPTION	ECN	R	CUST	SUP	OTH
R	8-8-06	JsP	MAD	RELEASED TO PRODUCTION	02479-189				