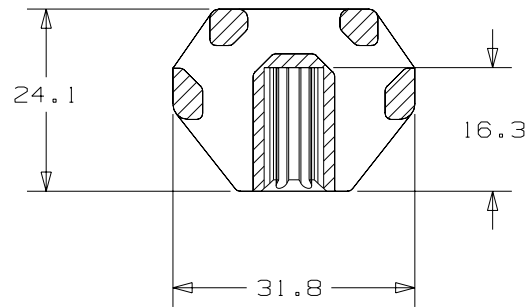
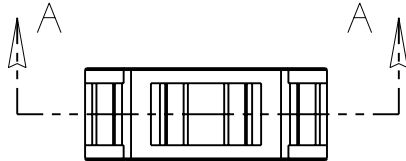
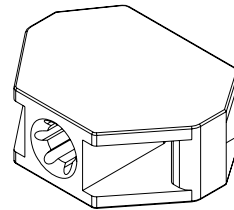


THIS COPY IS PROVIDED ON A RESTRICTED BASIS AND IS NOT TO BE USED IN ANY WAY DETRIMENTAL TO THE INTERESTS OF PANDUIT CORP.

PANDUIT PART NUMBER*	RECOMMENDED MOUNT STUD	MINIMUM INSTALLED STUD PROTRUSION	DIMENSION "A" REF	WEIGHT grams 100 pcs	FOR USE WITH THE FOLLOWING PANDUIT CABLE TIES
TMSTLHS5-30	M5	12.70	4.597 DIA	486	MINIATURE INTERMEDIATE STANDARD LIGHT HEAVY
TMSTLHS6	M6		5.520 DIA	470	
TMSTLHS8	M8		7.595 DIA	444	

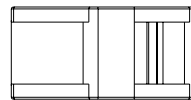
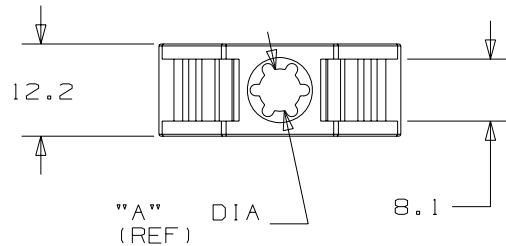


SECTION A-A



*NOTES:

- SEE CURRENT PRICE SHEET FOR PART NUMBER SUFFIX DESIGNATION CONCERNING PACKAGE SIZE, PART MATERIAL AND PART COLOR.



CAD FILENAME/LAYERS G00239CV_PB_TMSTLH_07



TMSTLH__ TIE MOUNT FOR THREADED STUD

UNLESS OTHERWISE SPECIFIED, DIMENSIONAL TOLERANCES ARE:
 (.X) ± 1.3 (.XXX) ± 0.25
 (.XX) ± 0.5 ANGLES ± 5°

UNLESS OTHERWISE SPECIFIED, ALL DIMENSIONS ARE GIVEN IN METRIC (mm), THIRD ANGLE PROJECTION.

REV	DATE	BY	CHK	DESCRIPTION	ECN	R	CUST	SUP
7	5-3-06	TMSA		REVISED DIM 'A' DIA FROM 5.613 REMOVED ENGLISH STUD SIZES	GB0239CV	7		
6	6/4/03	JAD		REVISED FORMAT, CONVERT TO METRIC ONLY	GB0239CV	6		

DRAWN BY GDH	MAT'L: NYLON 6/6
DATE 10/10/95	
CHK'D	

SCALE 1 : 1	DWG A SIZE
DRAWING NO. GB0239CV	