

## RAFIX 16, buzzer, round collar, 70 dB



### fields of application

- › Measurement-control-regulation
- › Electrical engineering
- › Mechanical and system engineering
- › Industrial robots

### special features

- › Acoustic signal transmitter in three fret forms
- › 70 dB continuous tone
- › Degree of protection: IP 65 at the front
- › Mounting diameter 16.2 mm
- › Flat plug connection 2.8 x 0.8 mm



### description

Acoustic signal generator, available in three collar shapes to match the design of the RAFIX 16 actuators.

### technical data

#### › general

Bezel color	black
Property of bezel / mushroom	opaque
Collar shape	round
Frequency	2400 - 3100 Hz
Operating temperature, min.	-25 °C
Storage temperature, min.	-40 °C
Operating temperature, max.	70 °C
Storage temperature, max.	85 °C
Volume 1 m	70 dB
illuminated	No
Tone type	Continuous tone
Packaging	Box
Packaging unit	2 pcs.
net weight	8.5 g
Degree of protection, front side, according to DIN EN 60529	IP65
Environment resistance	IEC 60068-2-14 IEC 60068-2-30 IEC 60068-2-33 IEC 60068-2-78
MOQ order	10 pcs.
RoHS compliant	Yes
REACH compliant	Yes

#### direct links

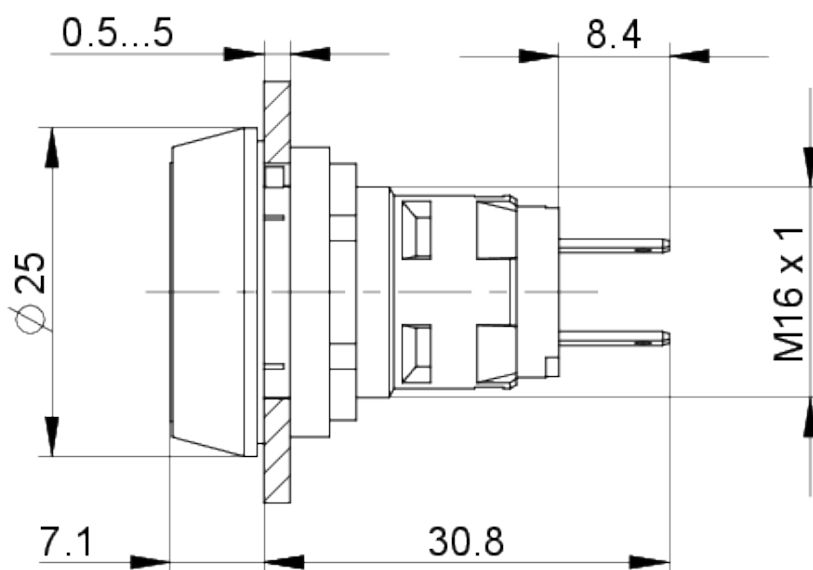
- › [RAFI eCatalog](#)

#### › mounting diameters

Mounting hole	16.2 mm
Mounting depth	30.5 mm
Installation height	6.95 mm
Grid, min.	25 x 25 mm
Outside dimension, length	24.95 mm
Outside dimension, width	24.95 mm
Outside dimension, height	37.45 mm
Collar dimension	ø 24,95 mm
<b>&gt; mechanical data</b>	
Fixing	Threaded ring
Threaded ring torque, max.	1.2 Nm
Terminal on the rear	Flat quick-connect terminal 2.8 x 0.8
<b>&gt; electrical data</b>	
Voltage type	DC
Rated operating voltage	24 V
Power loss	0.6 W

**drawings**

**Dimensioned drawing**



**Mounting hole drawing**

