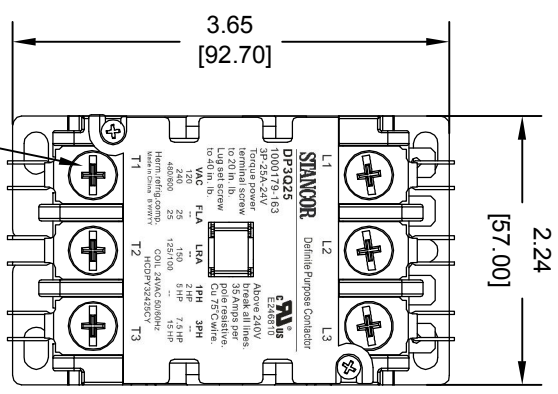


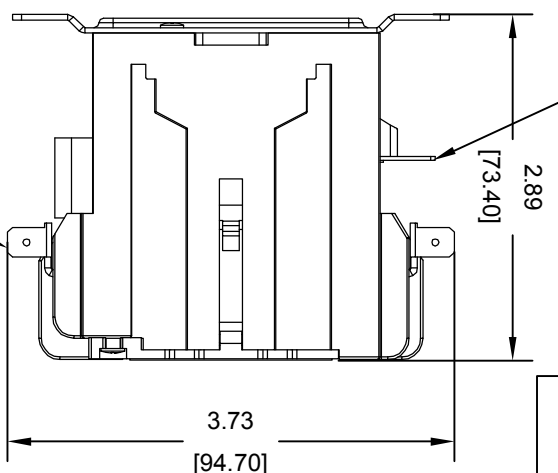
POLES	COIL VAC	FLA	RES	TERMINATION	COVER	INDIVIDUAL BOX
3	24VAC 50/60HZ	25	35	#10-32 Binding Head Screws 2 Quick Connect Power Termination	YES	YES

COIL DATA
COIL 24VAC 50/60HZ 7 OHM 18 VAC OPERATE 3.8-16.3 VAC DROPOUT 82 VA INRUSH 14 VA SEAL MAX VOLTAGE 26.4 VAC

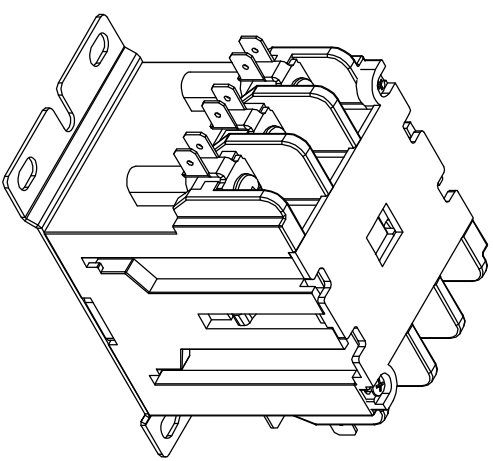
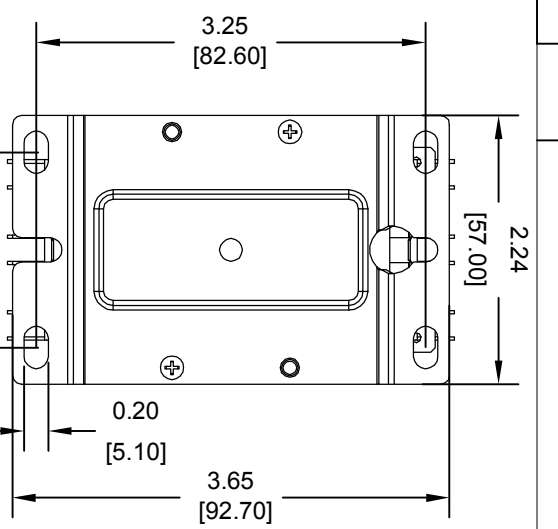
NOTES: UNLESS OTHERWISE SPECIFIED



#10-32 BINDING HEAD SCREWS (6 PCS)



2X 250X.032 MALE QUICK CONNECT (6 PCS)



2.76 [70.00]	
STANCOR Definite Purpose Contactor	
Enclosure:	OPEN
Power Poles:	3
Amp Rating:	FLA 25 RES 35
Coil Voltage:	24VAC 50/60HZ
DP3Q25 1000179-163 3P-25A-24V	HCDPY32425CY B WVVVY Made in China
2.05 [52.00]	

Individual Box Label

2.17 [55.00]	
DP3Q25 1000179-163 3P-25A-24V HCDPY32425CY QTY.: 25PCS	
1.89 [48.00]	

Master Carton Label

L1	L2	L3
STANCOR DP3Q25 1000179-163 3P-25A-24V Torque power terminal screw to 20 in. lb. Lug set screw to 40 in. lb.	Definite Purpose Contactor PAIS E248810 Above 240V Break all lines. 35 Amps per pole resistive. Cut 79 C wire.	
VAC 20 480/500	FLA 25 125/100	LRA 1PH 3PH 7.5HP 15HP
Herm. rating comp. B WVVVY Made in China		COIL 24VAC 50/60HZ HCDPY32425CY
T1	T2	T3

Product Label

TOLERANCE	
INCHES [mm]	
X	+0.06 [-1.50]
X.X	+0.02 [-1.50]
X.XX	+0.006 [-1.50]
X.XXX	+0.002 [-0.50]
ANGLES	±1°

REV.	DESCRIPTION	ESN	DOWN	APPD	DATE

THIRD ANGLE PROJECTION

DESC.	3P-25A-24V	CHECKED BY	CHECKED DATE
DRAWN BY		DRAWN DATE	

STANCOR 2425 South 21st Street
Phoenix, AZ 85034
www.stancor.com (602)275-3800

PART NO. DP3Q25

PAGE 1 OF 1