

1SET411102R0000 ✓ ACTIVE

ENTRELEC

TE Internal #: 1SET411102R0000

Wiring Duct, PC-ABS, 40 mm [1.575 in] Height, 2000 mm [78.74 in]

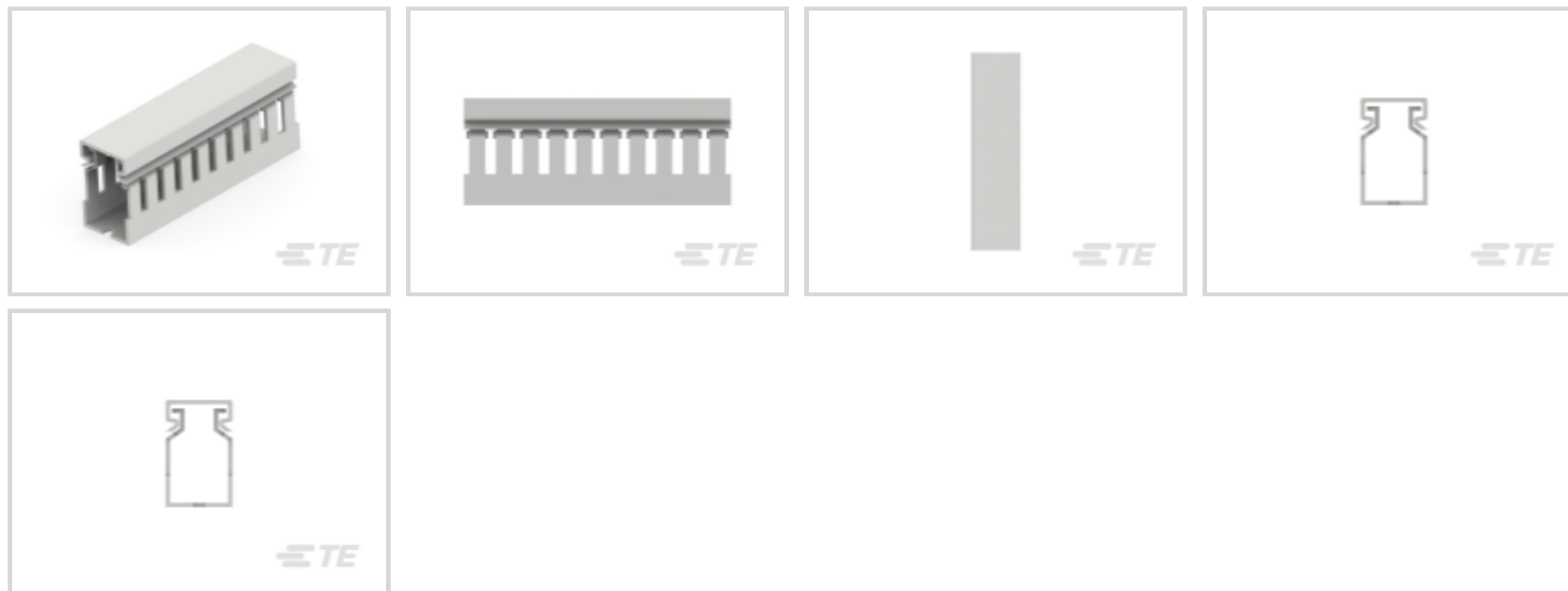
Length, 25 mm [.984 in] Width, -25 – 90 °C [-13 – 194 °F]

[View on TE.com >](#)



Wire Protection & Management > Wiring Ducts & Accessories > Wiring Ducts & Covers >

Wiring Duct: PC-ABS Material, Gray, 2 meters, Flame-Retardant



Wiring Duct Product Type: **Wiring Duct**

Primary Product Material: **PC-ABS**

Product Height: **40 mm [1.575 in]**

Product Length: **2000 mm [78.74 in]**

Product Width: **25 mm [.984 in]**

[All Wiring Duct: PC-ABS Material, Gray, 2 meters, Flame-Retardant \(11\)](#)

Features

Product Type Features

Wiring Duct Product Type	Wiring Duct
--------------------------	-------------

Body Features

Primary Product Color	Gray
Primary Product Material	PC-ABS

Dimensions

Product Height	40 mm[1.575 in]
Product Length	2000 mm[78.74 in]
Product Width	25 mm[.984 in]

Usage Conditions

Operating Temperature Range	-25 – 90 °C[-13 – 194 °F]
-----------------------------	---------------------------

Packaging Features

Packaging Quantity	50
--------------------	----



Product Compliance

[For compliance documentation, visit the product page on TE.com>](#)

EU RoHS Directive 2011/65/EU	Compliant
EU ELV Directive 2000/53/EC	Out of Scope
China RoHS 2 Directive MIIT Order No 32, 2016	No Restricted Materials Above Threshold
EU REACH Regulation (EC) No. 1907/2006	Current ECHA Candidate List: JAN 2025 (247) Candidate List Declared Against: JUNE 2023 (235) Does not contain REACH SVHC
Halogen Content	Low Halogen - Br, Cl, F, I < 900 ppm per homogenous material. Also BFR/CFR/PVC Free
Solder Process Capability	Not reviewed for solder process capability

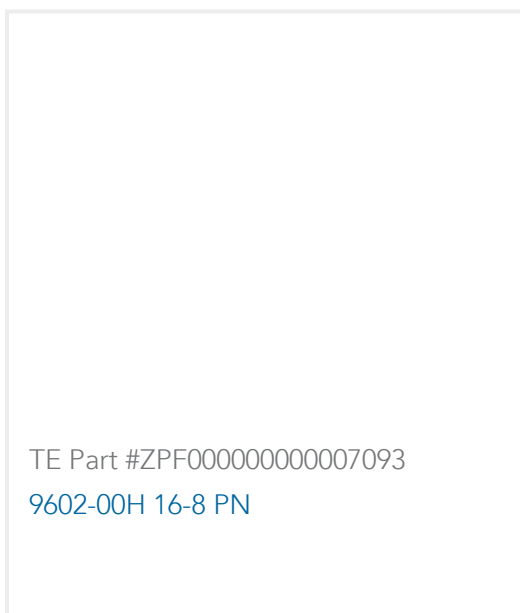
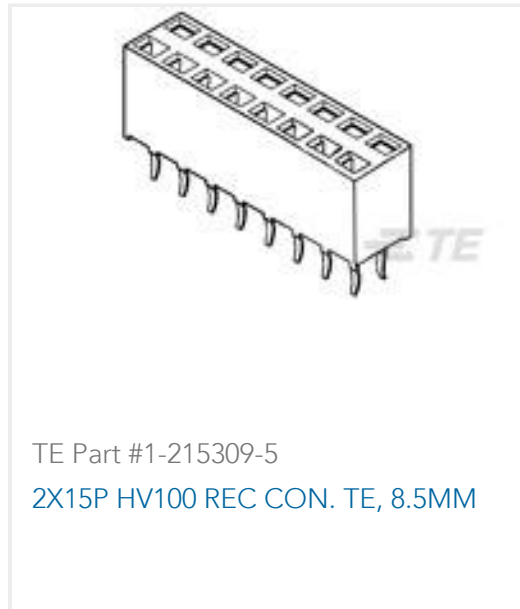
Product Compliance Disclaimer

This information is provided based on reasonable inquiry of our suppliers and represents our current actual knowledge based on the information they provided. This information is subject to change. The part numbers that TE has identified as EU RoHS compliant have a maximum concentration of 0.1% by weight in homogenous materials for lead, hexavalent chromium, mercury, PBB, PBDE, DBP, BBP, DEHP, DIBP, and 0.01% for cadmium, or qualify for an exemption to these limits as defined in the Annexes of Directive 2011/65/EU (RoHS2). Finished electrical and electronic equipment products will be CE marked as required by Directive 2011/65/EU. Components may not be CE marked. Additionally, the part numbers that TE has identified as EU ELV compliant have a maximum concentration of 0.1% by weight in homogenous materials for lead, hexavalent chromium, and mercury, and 0.01% for cadmium, or qualify for an exemption to these limits as defined in the Annexes of Directive 2000/53/EC (ELV). Regarding the REACH Regulation, the information TE provides on SVHC in articles for this part number is based on the latest European Chemicals Agency (ECHA) 'Guidance on requirements for substances in articles' posted at this URL: <https://echa.europa.eu/guidance-documents/guidance-on-reach>

Compatible Parts



Customers Also Bought



Documents

Product Drawings

[WD-1-DH-GR2540](#)

French

CAD Files

[3D PDF](#)

3D

Customer View Model

[ENG_CVM_CVM_1SET411102R0000_A.2d_dxf.zip](#)

English

Customer View Model

[ENG_CVM_CVM_1SET411102R0000_A.3d_igs.zip](#)

English

Customer View Model

[ENG_CVM_CVM_1SET411102R0000_A.3d_stp.zip](#)

English

By downloading the CAD file I accept and agree to the [Terms and Conditions](#) of use.

Datasheets & Catalog Pages



[Infographic - entrelec ews-linecard](#)

English

[Datasheet - Entrelec Electrical-Solutions](#)

[Datasheet - ENTRELEC-wiring-duct-DS](#)

English

[Essential Entrelec Terminal Blocks](#)

French

[Essential Entrelec Terminal Blocks](#)

English

[Essential Entrelec Terminal Blocks](#)

Japanese

[Agency Approvals](#)

[Agency Approval Document](#)

English

[Agency Approval Document](#)

English