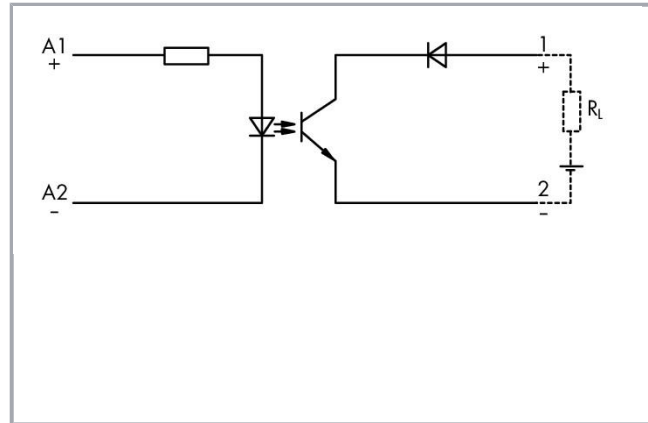
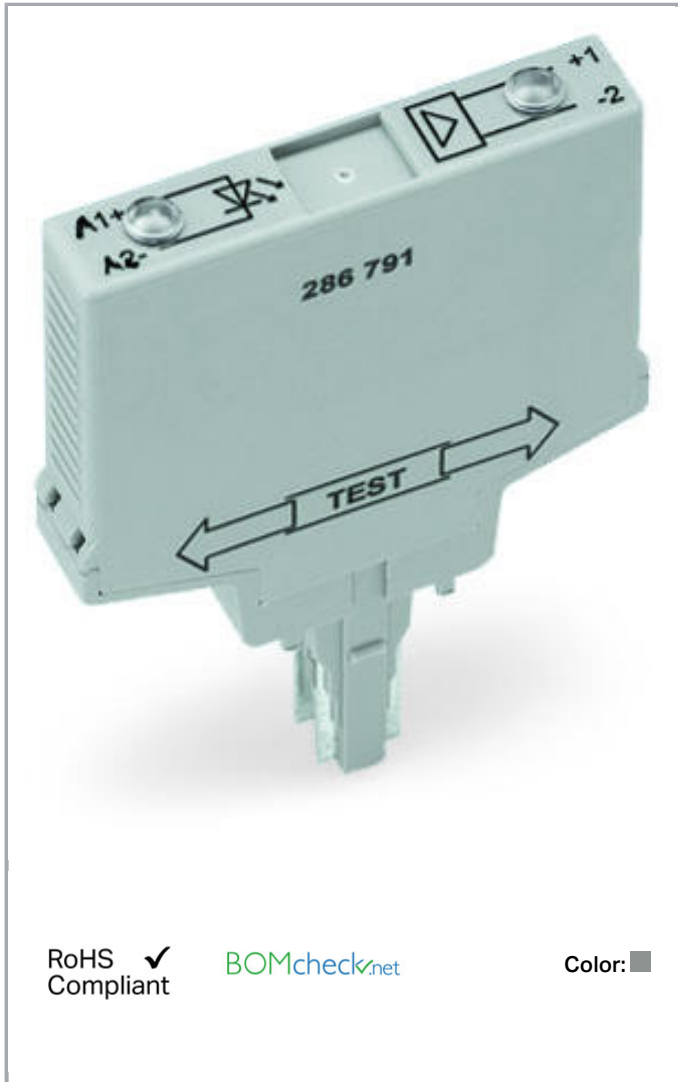


**Data sheet | Item number: 286-791**

Optocoupler module; Nominal input voltage: 24 VDC; Output voltage range: 20 ... 60 VDC; Limiting continuous current: 0.1 A; 2-wire connection; Frequency: 3 kHz; Red status indicator; Module width: 10 mm; gray

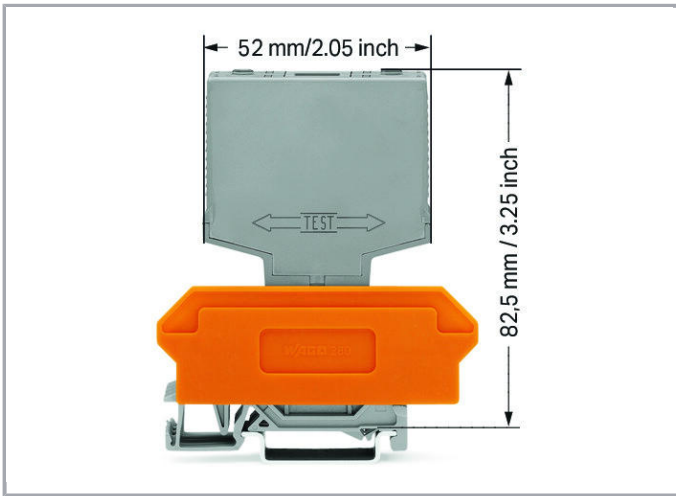
[www.wago.com/286-791](http://www.wago.com/286-791)



Subject to changes.

WAGO Kontakttechnik GmbH & Co. KG  
Hansastr. 27  
32423 Minden  
Phone: +49571 887-0 | Fax: +49571 887-169  
Email: [info.de@wago.com](mailto:info.de@wago.com) | Web: [www.wago.com](http://www.wago.com)

Do you have any questions about our products?  
We are always happy to take your call at +49 (571) 887-44222.



## Data

### Technical Data

#### Control circuit

Nominal input voltage $U_N$	DC 24 V
Input voltage range (high level)	DC 15 ... 30 V
Nominal input current at $U_N$	14 mA

#### Load circuit:

Circuit type	2-conductor termination
Limiting continuous current	0.1 A
Output voltage range	DC 20 ... 60 V
Max. voltage drop at output	$\leq$ DC 2 V
Leakage current at nominal voltage	$\leq$ 2 $\mu$ A
Turn-on time	$\leq$ 10 $\mu$ s
Drop-out time	$\leq$ 50 $\mu$ s
Switching frequency	$\leq$ 3 kHz

#### Safety and protection:

Pollution degree	2
Dielectric strength, control/load circuit (AC, 1 min)	2.5 kVrms
Protection class	IP20

Subject to changes.

## Geometrical Data

Width	10 mm / 0.394 inch
Height from upper-edge of DIN-35 rail	82.5 mm / 3.25 inch
Depth	52 mm / 2.047 inch

## Mechanical data

Type of mounting	Pluggable module for carrier terminal blocks
------------------	--

## Material Data

Color	gray
Fire load	0.276 MJ
Weight	15.3 g

## Environmental Requirements

Surrounding air (operating) temperature at $U_N$	-25 ... 40 °C
Surrounding air (storage) temperature	-25 ... 40 °C
Processing temperature	-25 ... +50 °C

## Standards and specifications

Standards/specifications	EN 60664-1
--------------------------	------------

## Commercial data

Product Group	6 (Interface Electronics)
Packaging type	BOX
Country of origin	DE
GTIN	4045454397470
Customs Tariff No.	85365005000

## Compatible products

### General accessories



#### Item no.: 280-608

Terminal block for pluggable modules; 4-pole; with 4-conductor terminal blocks; with orange separator; [www.wago.com/280-608](http://www.wago.com/280-608)  
for DIN-rail 35 x 15 and 35 x 7.5; 2.5 mm<sup>2</sup>; CAGE CLAMP®; 2,50 mm<sup>2</sup>; gray

Subject to changes.

WAGO Kontakttechnik GmbH & Co. KG

Hansastr. 27

32423 Minden

Phone: +49571 887-0 | Fax: +49571 887-169

Email: [info.de@wago.com](mailto:info.de@wago.com) | Web: [www.wago.com](http://www.wago.com)

Do you have any questions about our products?

We are always happy to take your call at +49 (571) 887-44222.



**Item no.: 280-618**

Terminal block for pluggable modules; 4-pole; with 2-conductor terminal blocks; with orange separator; [www.wago.com/280-618](http://www.wago.com/280-618)  
for DIN-rail 35 x 15 and 35 x 7.5; 2.5 mm<sup>2</sup>; CAGE CLAMP®; 2,50 mm<sup>2</sup>; gray



**Item no.: 280-762**

Terminal block for pluggable modules; 4-pole; with 4-conductor terminal blocks; with marker carrier; [www.wago.com/280-762](http://www.wago.com/280-762)  
with orange separator; for DIN-rail 35 x 15 and 35 x 7.5; 2.5 mm<sup>2</sup>; CAGE CLAMP®; 2,50 mm<sup>2</sup>; gray

**Marking accessories**



**Item no.: 209-701**

WSB marking card; as card; not stretchable; plain; snap-on type; white

[www.wago.com/209-701](http://www.wago.com/209-701)



**Item no.: 209-701/000-002**

WSB marking card; as card; not stretchable; plain; snap-on type; yellow

[www.wago.com/209-701/000-002](http://www.wago.com/209-701/000-002)



**Item no.: 209-701/000-005**

WSB marking card; as card; not stretchable; plain; snap-on type; red

[www.wago.com/209-701/000-005](http://www.wago.com/209-701/000-005)



**Item no.: 209-701/000-006**

WSB marking card; as card; not stretchable; plain; snap-on type; blue

[www.wago.com/209-701/000-006](http://www.wago.com/209-701/000-006)



**Item no.: 209-701/000-007**

WSB marking card; as card; not stretchable; plain; snap-on type; gray

[www.wago.com/209-701/000-007](http://www.wago.com/209-701/000-007)



**Item no.: 209-701/000-012**

WSB marking card; as card; not stretchable; plain; snap-on type; orange

[www.wago.com/209-701/000-012](http://www.wago.com/209-701/000-012)



**Item no.: 209-701/000-017**

WSB marking card; as card; not stretchable; plain; snap-on type; light green

[www.wago.com/209-701/000-017](http://www.wago.com/209-701/000-017)



**Item no.: 209-701/000-023**

WSB marking card; as card; not stretchable; plain; snap-on type; green

[www.wago.com/209-701/000-023](http://www.wago.com/209-701/000-023)



**Item no.: 209-701/000-024**

WSB marking card; as card; not stretchable; plain; snap-on type; violet

[www.wago.com/209-701/000-024](http://www.wago.com/209-701/000-024)

**Downloads**

**Documentation**

**Bid Text**

286-791	Feb 19, 2019	xml	Download
X81 - Datei		3.8 kB	

Subject to changes.

286-791  
docx - Datei

Feb 20, 2019

docx  
15.7 kB

[Download](#)

### Additional Information

Disposal; Electrical and electronic equipment, Packaging

V 1.0.0

pdf  
265.8 kB

[Download](#)

### CAD/CAE-Data

#### CAD data

2D/3D Models 286-791

[URL](#)

[Download](#)

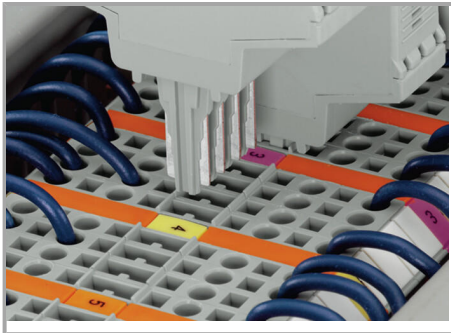
#### CAE data

WSCAD Universe 286-791

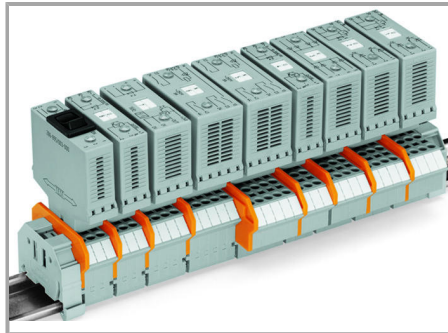
[Download](#)

### Installation Notes

#### Assembly



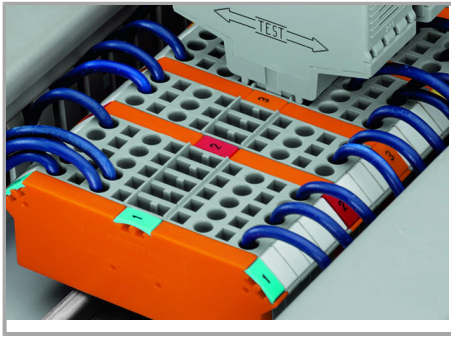
Coding ensures correct polarity



Pluggable electronic modules, for application on 2- or 4-conductor carrier terminal blocks

#### Marking

Subject to changes.



Marking using WMB Multi markers

### Testing



Easy testing at touchproof contacts

Subject to changes.