

AUDIO NETWORK SOLUTIONS



NA2-10-DPRO
NA2-10-DLINE
NPS-30W



AUDIO NETWORK SOLUTIONS

CONNECT YOUR LEGACY AUDIO EQUIPMENT TO THE DANTE® WORLD

- Connect analog audio equipment to a Dante® network
- Heavy duty adapters for rugged stage conditions
- Lockable audio and network connections
- Connect analog or digital signals to a Dante® network
- Feed non Dante® ready amplifiers, speakers or mixing desks with signals from the Dante® network
- Different mounting options (rack, floorbox, table mounting, truss)
- Requires a PoE switch or a PoE injector
- AES67 compliant

NA2-IO-DPRO

The NA2-IO-DPRO is a 2IN, 2OUT breakout box for mic, line, AES/EBU. It features high-quality microphone preamps and 2 Dante® ports for either redundant setup or daisy chaining. There are several remote control options available.



NA2-IO-DLINE

The NA2-IO-DLINE is an end-of-network device. It is a breakout box which allows 2 Line-IN, 2 Line-OUT signals to be integrated into a Dante® network.



NPS-30W

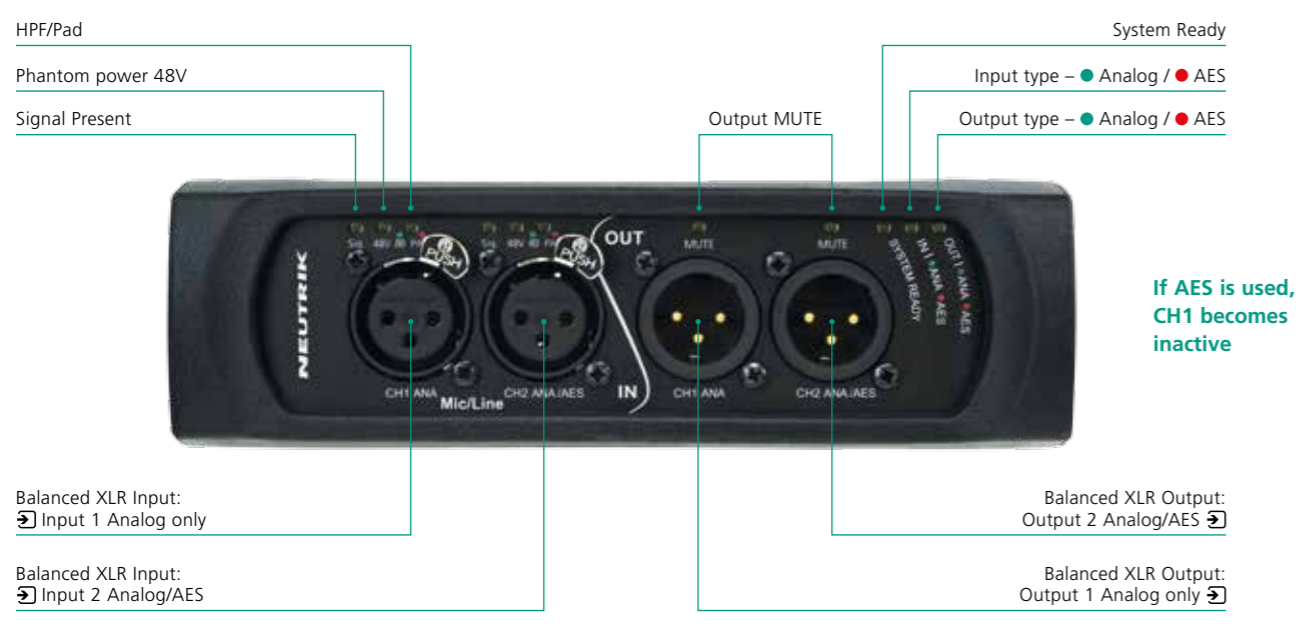
The NPS-30W is a Gigabit Power over Ethernet Supply with 30 W PoE budget. It is a passive power supply, power-negotiation is not supported and power is delivered at all times.



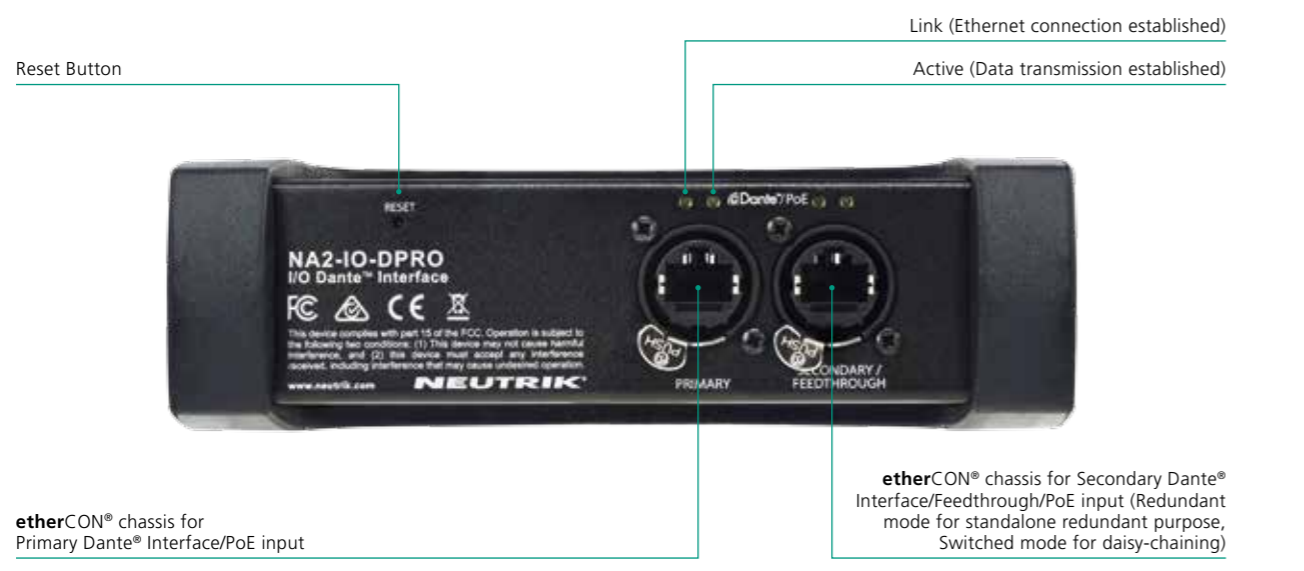
All devices are equipped with lockable connectors and, together with the removable rubber protection, offer a reliable solution for tough stage conditions. With optional mounting brackets or a rack panel, the devices can be mounted below tables, in floor boxes, racks or on a truss.

NA2-IO-DPRO MIC, LINE, AES/EBU TO DANTE® INTERFACE

OVERVIEW FRONT



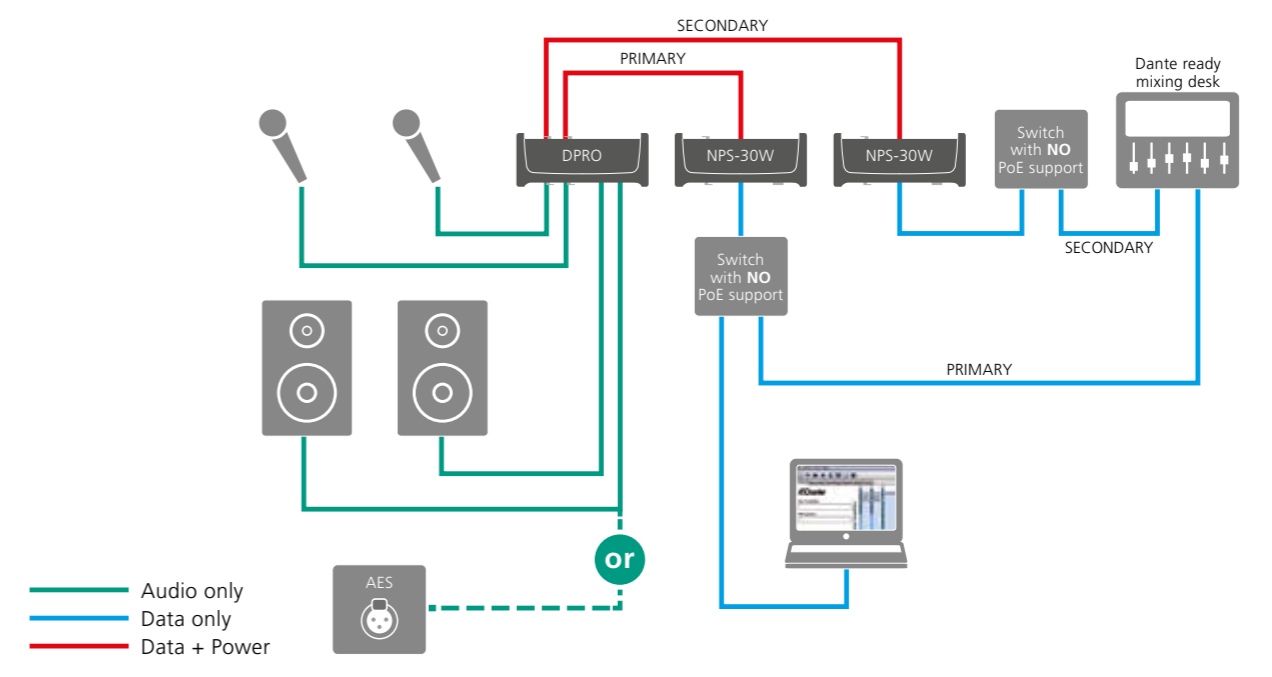
OVERVIEW REAR



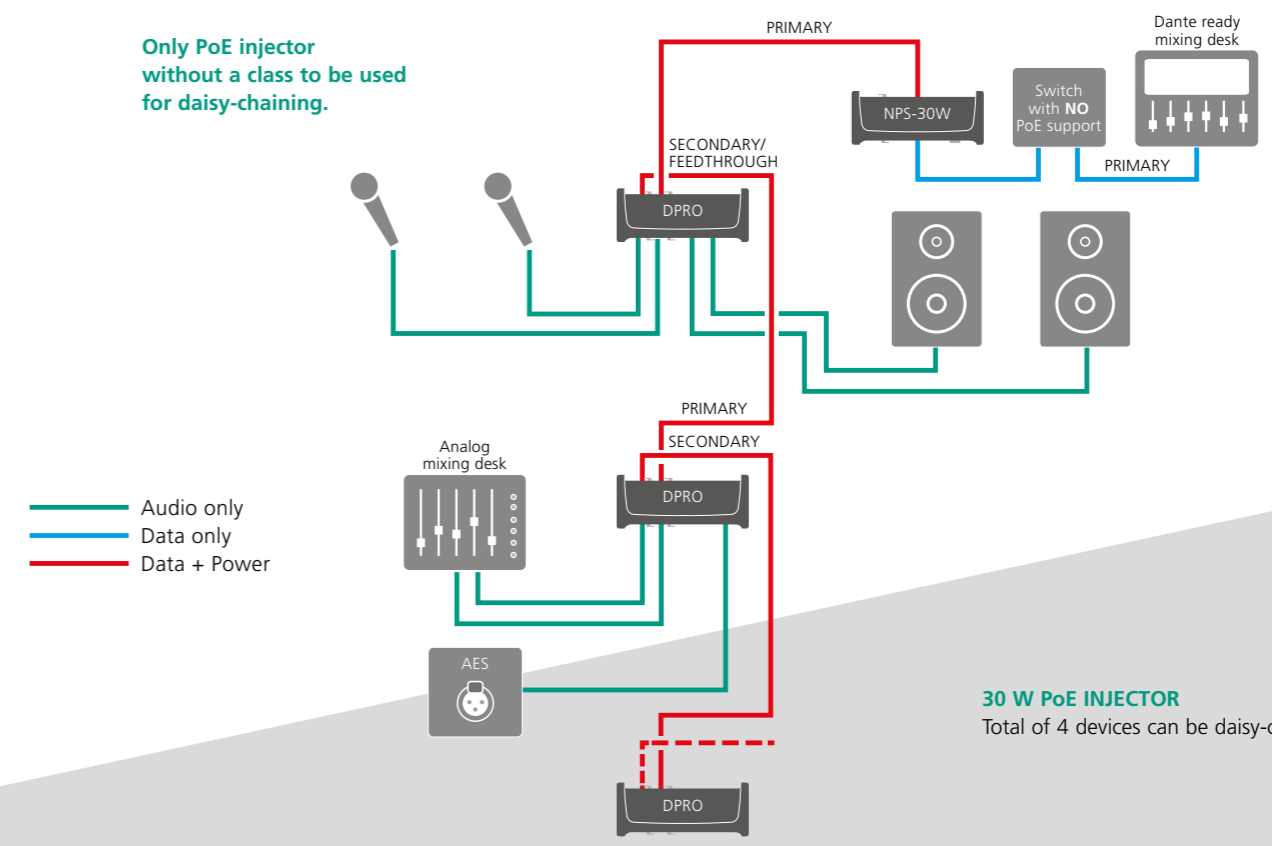
IMPORTANT

- Requires a Power over Ethernet switch or a PoE injector (802.3 af/at – class 2 or no classification at 6W)
- Please refer to the manual for redundant power setups

REDUNDANT MODE



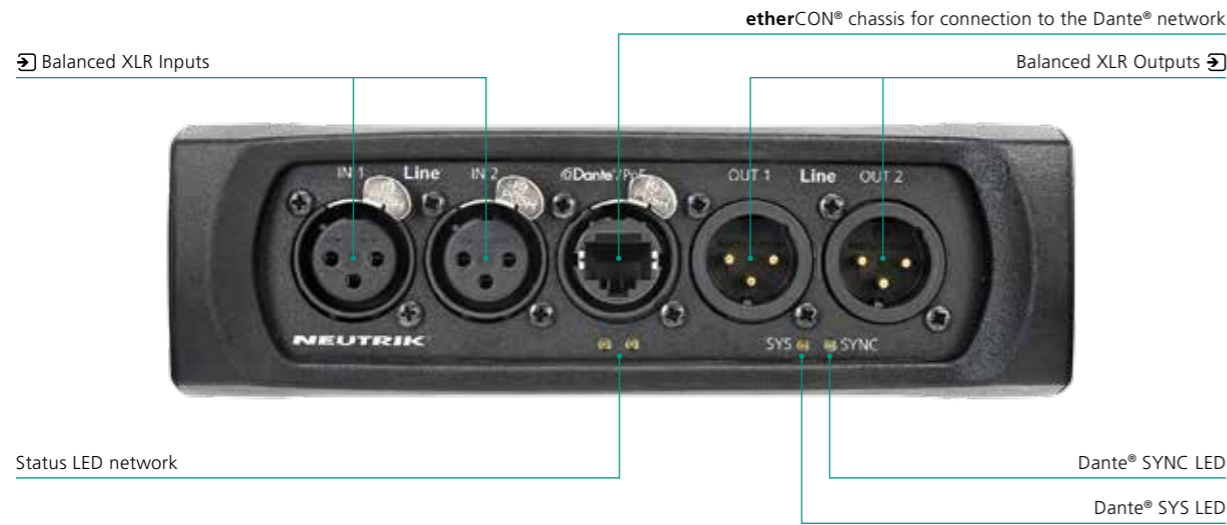
SWITCHED MODE



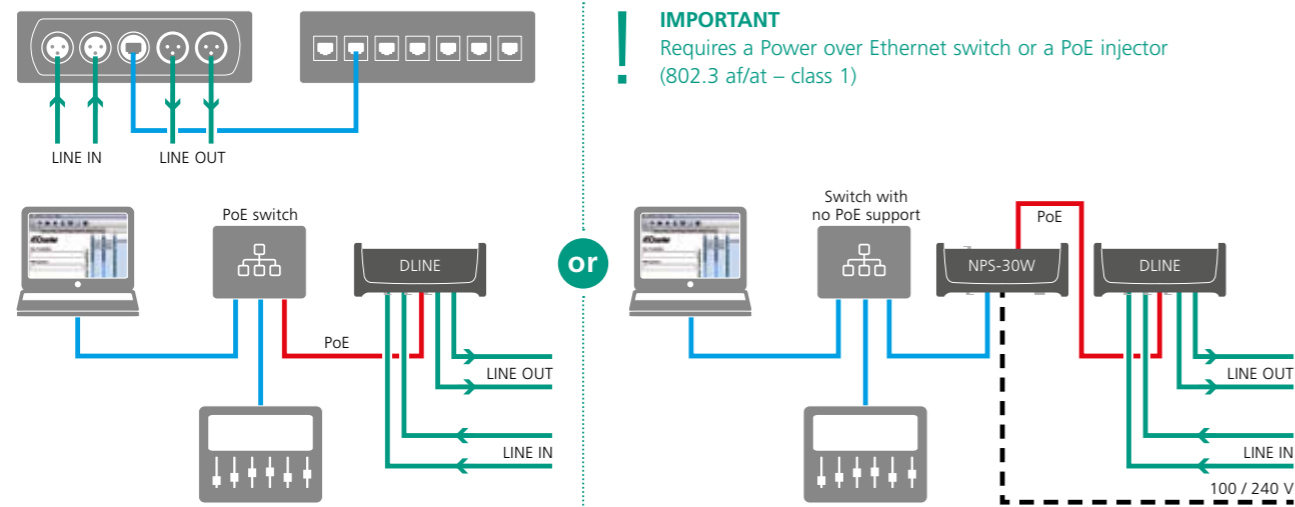
NA2-IO-DLINE LINE I/O TO DANTE® INTERFACE



OVERVIEW FRONT

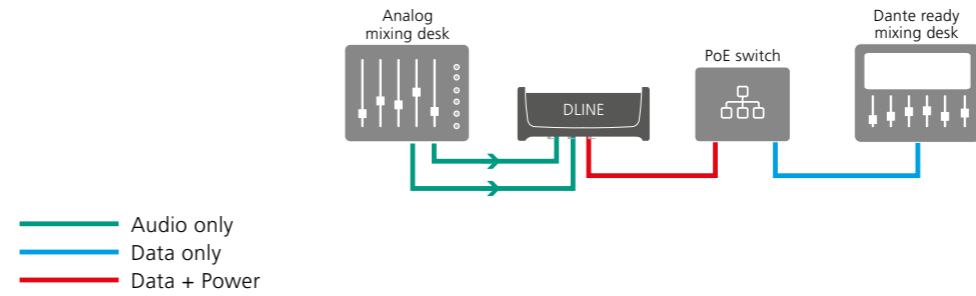


POWER SETUP



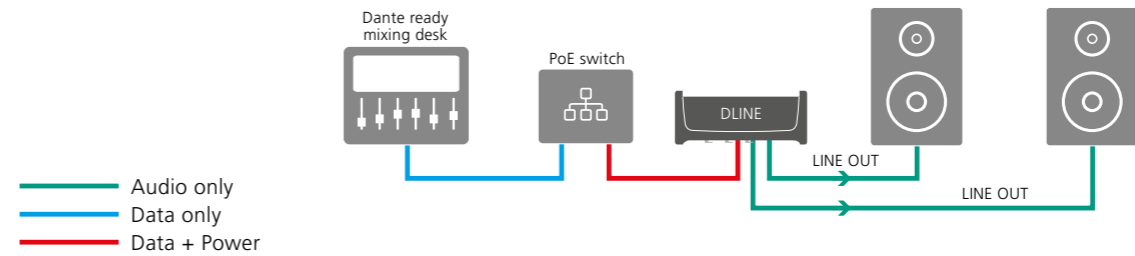
- Audio only
- Data only
- Data + Power
- Power only

INPUT APPLICATION



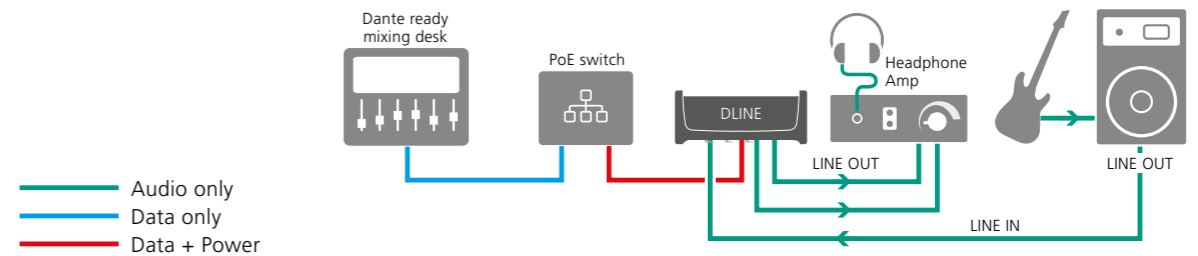
- Audio only
- Data only
- Data + Power

OUTPUT APPLICATION



- Audio only
- Data only
- Data + Power

INPUT & OUTPUT APPLICATION (MIXED MODE)



- Audio only
- Data only
- Data + Power



NPS-30W POWER OVER ETHERNET SUPPLY

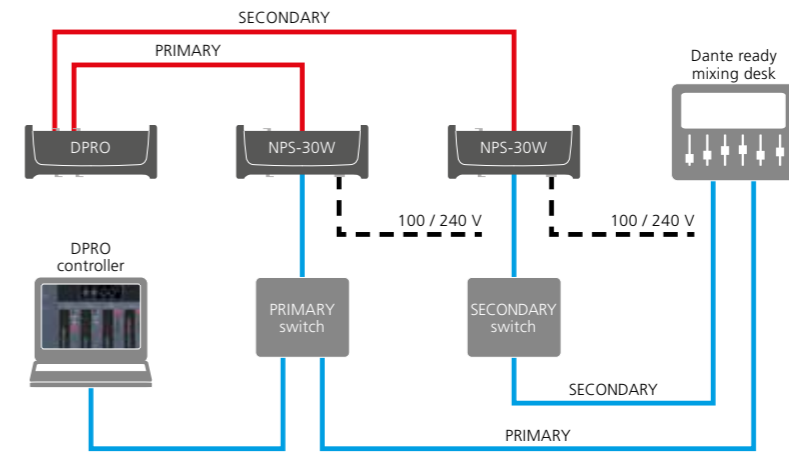
OVERVIEW FRONT



OVERVIEW REAR



POWER AND DATA REDUNDANCY (WITH NEUTRIK NETWORK DEVICES)

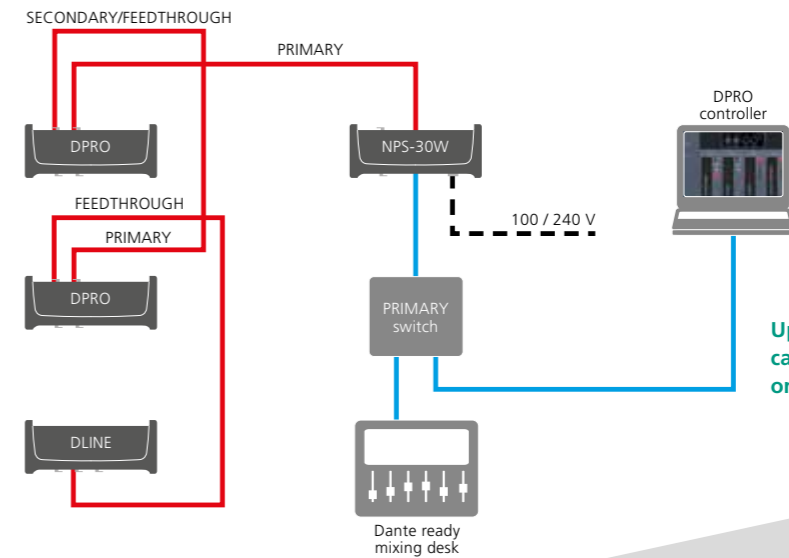


- Data only
- Data + Power
- - - Power only

IMPORTANT

- For Power + Data redundancy, 2 x NPS-30W are required.
- Do not combine NPS-30W with other PoE injectors, as this can lead to damage to the powered device, due to different pin assignment.

DAISY CHAINING (WITH NEUTRIK NETWORK DEVICES)



- Data only
- Data + Power
- - - Power only

Up to 4 NA2-IO-DPRO can be daisy chained with one NPS-30W PoE supply



REMOTE CONTROL

There are several options to remote control the NA2-IO-DPRO. Depending on the application, the DPRO is being used, users can decide between: Neutrik DPRO controller software, Yamaha CL /QL mixing consoles or Control plugin for Q-SYS platform.

DPRO CONTROLLER SOFTWARE

The DPRO controller gives the user not only remote control options, such as level, mute, gain, phantom power, input signal and lo cut, but also the possibility to change the device's network settings and to update the firmware.



DPRO Controller App is available for Windows and macOS, free of charge.



APP REQUIREMENTS

- RAM min 2 GB
- Display resolution > 1280 x 1024 pixel
- Windows 7 or later
- macOS 10.12 or higher

CONTROL PLUGIN FOR Q-SYS PLATFORM

The NA2-IO-DPRO offers the option to operate in AES67 mode. The addition of AES67 networking enables the integration of the DPRO within the Q-SYS platform.

There is a QSC approved control plugin available by Neutrik to remote control the Dante network device within the Q-SYS environment. Designers can now fully integrate the DPRO into the Q-SYS designer and perform various controls such as gain, phantom power, lo-cut, mute and mic/line switch.

This is a convenient solution to system designers for the widely adopted QSC environment!



MIC PREAMP CONTROL VIA YAMAHA CL/QL SERIES CONSOLES

With the upcoming firmware version 5.6 for Yamaha CL & QL consoles, the NA2-IO-DPRO can be controlled from the console directly.

The remote option includes phantom power, gain and lo-cut filter. Using the DPRO for example on a truss, is a convenient way to establish ambient miking with short cable runs and then remote control it via Yamaha CL/QL consoles is a real improvement for a Pro AV work environment.



NA2-IO-DPRO

TECHNICAL DATA

NA2-IO-DLINE

TECHNICAL DATA

GENERAL SPECIFICATIONS

| | | | |
|--------------------------|--------------------------------|---------------------|---|
| Channel | 2 INPUT (Line, Mic, AES/EBU) | Bit depth | 16, 24 and 32 bit |
| | 2 OUTPUT (Line Level, AES/EBU) | Latency | based on user selection; min. 0,25 ms (Dante®) |
| Supported sampling rates | 44.1 / 48 / 88.2 / 96 kHz | Ethernet connection | 1.000 BASE-T (supporting PoE) |

ELECTRICAL DATA

| | | | |
|-------------------|----------|--------------|--|
| Power consumption | < 6 Watt | Power supply | PoE (Power over Ethernet) switch or PoE midspan power injector (according to IEEE 802.3af/at, class 2 or no classification at 6W) |
|-------------------|----------|--------------|--|

Analog Input

| | | | |
|------------------------|-----------------------------------|----------------|---|
| Equivalent Input Noise | -128 dBu (67 dB Gain); A-Weighted | THD+N: | < 0.005% (20 Hz to 20 kHz, +4 dBu) |
| Gain Hub (3dB Steps) | 0 - 67 dB | Dynamic Range: | >112 dB, BW 22.4 kHz, A-Weighted (Input Gain = min.) |
| Max. Input Level | + 24 dBu (PAD enabled) | SNR: | > 112 dB, BW 22.4 kHz, A-Weighted |
| | + 8 dBu (PAD disabled) | Crosstalk: | - 100 dB, adjacent INPUT / OUTPUT channels (Input Gain = min.) |
| Input Impedance | > 7.5 kΩ balanced | | |
| Frequency Response | 20 Hz to 20 kHz (± 0.5 dB) | | |

Analog Output

| | | | |
|-----------------------|----------------------------|----------------|--|
| Max. Output Level | + 24 dBu | THD+N: | < 0.005% (20 Hz to 20 kHz, +4 dBu) |
| Output Impedance | < 150 Ω balanced | Dynamic Range: | > 112 dB, BW 22.4 kHz, A-Weighted |
| Residual output noise | - 88 dBu, A-Weighted | SNR: | > 112 dB, BW 22.4 kHz, A-Weighted |
| Frequency Response | 20 Hz to 20 kHz (± 0.5 dB) | Crosstalk: | - 100 dB, adjacent INPUT / OUTPUT channels, Input Gain = Min. |

MECHANICAL

| | | | |
|------------------------|------------------------|---------------------------|------------------------|
| Weight | 0,53 kg / 1.17 lbs | | |
| Dimensions | l: 164 mm / 6.4 inches | Dimensions | l: 151 mm / 5.9 inches |
| with rubber protection | w: 82 mm / 3.2 inches | without rubber protection | w: 66 mm / 2.6 inches |
| | h: 51 mm / 2.0 inches | | h: 41 mm / 1.6 inches |

GENERAL SPECIFICATIONS

| | | | |
|--------------------------|---------------------------|---------------------|--|
| Channel | 2 INPUT (Line Level) | Bit depth | 16, 24 and 32 bit |
| | 2 OUTPUT (Line Level) | Latency | based on user selection 1 ms (default) |
| Supported sampling rates | 44.1 / 48 / 88.2 / 96 kHz | Ethernet connection | 100 BASE-TX (supporting PoE) |

ELECTRICAL DATA

| | | | |
|-------------------|----------|--------------|--|
| Power consumption | < 2 Watt | Power supply | PoE (Power over Ethernet) switch or PoE midspan power injector (according to IEEE 802.3af/at, class 1) |
|-------------------|----------|--------------|--|

Analog Audio Input

| | | | |
|------------------------|------------------------------|-----------------------|--------------------------------|
| Input impedance | 6.6 kOhm | Signal to Noise Ratio | > 100 dB |
| Input Level (Balanced) | 22 dBu max. | THD + Noise | < 0.01% @ + 4 dBu, A-Weighting |
| Frequency Response | 20 Hz to 20 kHz (+/- 0.5 dB) | Crosstalk | < -80 dB @ 20 kHz |
| Dynamic Range | > 100 dB | | |

Analog Audio Output

| | | | |
|-------------------------|------------------------------|-----------------------|--------------------------------|
| Output impedance | < 800 Ohm | Signal to Noise Ratio | > 100 dB |
| Output Level (Balanced) | 16 dBu max. | THD + Noise | < 0.01% @ + 4 dBu, A-Weighting |
| Frequency Response | 20 Hz to 20 kHz (+/- 0.5 dB) | Crosstalk | < -80 dB @ 20 kHz |
| Dynamic Range | > 100 dB | | |

MECHANICAL

| | | | |
|------------------------|------------------------|---------------------------|------------------------|
| Weight | 0,44 kg / 1.0 lbs | | |
| Dimensions | l: 164 mm / 6.4 inches | Dimensions | l: 151 mm / 5.9 inches |
| with rubber protection | w: 82 mm / 3.2 inches | without rubber protection | w: 66 mm / 2.6 inches |
| | h: 51 mm / 2.0 inches | | h: 41 mm / 1.6 inches |

NPS-30W

TECHNICAL DATA

ELECTRICAL DATA

| | | | |
|-----------------------|---------------|---------------------|--------|
| Input voltage range | 100 – 230 VAC | Output voltage | 48 VDC |
| Input frequency range | 50 – 60 Hz | Output max. current | 0.63 A |
| Input max. current | 0.75 A | Rated Power | 30 W |

MECHANICAL

| | | | |
|------------------------|------------------------|---------------------------|------------------------|
| Weight | 0,53 kg / 1.17 lbs | | |
| Dimensions | l: 164 mm / 6.4 inches | Dimensions | l: 151 mm / 5.9 inches |
| with rubber protection | w: 82 mm / 3.2 inches | without rubber protection | w: 66 mm / 2.6 inches |
| | h: 51 mm / 2.0 inches | | h: 41 mm / 1.6 inches |

OPERATING ENVIRONMENT INDOOR

| | | | |
|-----------------------|---------------|---------------------|-----------------|
| Operating temperature | -5°C to +50°C | Storage temperature | -40°C to +100°C |
|-----------------------|---------------|---------------------|-----------------|

ORDERING INFORMATION

| | |
|-------------|---|
| NPS-30W-B | NPS-30W + power cable (3m; NEMA5 / Plug Type B) |
| NPS-30W-F | NPS-30W + power cable (3m; Schuko / Plug Type F) |
| NPS-30W-G | NPS-30W + power cable (3m; BS1363 / Plug Type G) |
| NPS-30W-J | NPS-30W + power cable (3m; SEV1011 / Plug Type J) |
| NPS-30W-WOC | NPS-30W without power cable |

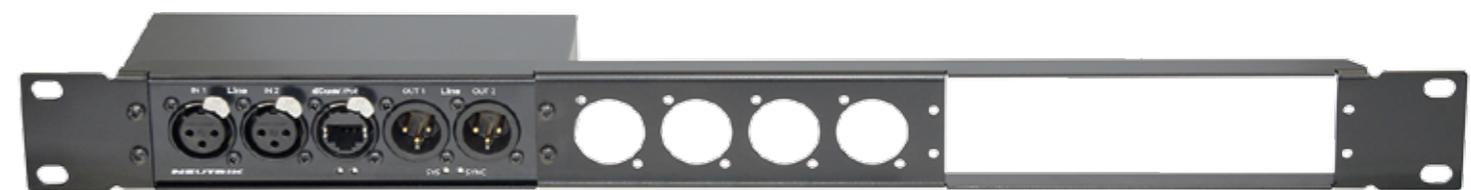
MOUNTING ACCESSORIES



NA-MB-KIT
Mounting bracket kit for NA2-IO-XXX / NPS-30W



NA-TM-KIT
Truss mount kit for NA2-IO-XXX / NPS-30W



NRP1RU-2A
1 RU 19" RACK unit for NA2-IO-XXX / NPS-30W



LIECHTENSTEIN (HEADQUARTERS)

Neutrik AG, Im alten Riet 143,
9494 Schaan, Liechtenstein
T +423 237 24 24, F +423 232 53 93, neutrik@neutrik.com

CHINA

Ningbo Neutrik Trading Co., Ltd., Shiqi Street, Yinxian Road West
Fengjia Villiage, Hai Shu District, Ningbo, Zhejiang, 315153
T +86 574 88250833, sales@neutrik.com.cn

HONG KONG

Neutrik Hong Kong LTD., Suite 18,
7th Floor Shatin Galleria Fotan, Shatin
T +852 2687 6055, sales@neutrik.com.hk

JAPAN

Neutrik Limited, Yusen-Higashinonbashi-Ekimae Bldg., 3-7-19
Higashinonbashi, Chuo-ku, Tokyo 103
T +81 3 3663 47 33, mail@neutrik.co.jp

INDIA

Neutrik India Pvt. Ltd., Level 3, Neo Vikram, New Link Road,
Above Audi Show Room, Andheri West, Mumbai, 400053
T +91 982 05 43 424, anklesaria@neutrik.com

USA

Neutrik USA Inc., 4115 Taggart Creek Road,
Charlotte, North Carolina, 28208
T +1 704 972 30 50, info@neutrikusa.com

GERMANY / NETHERLANDS / DENMARK / AUSTRIA

Neutrik Vertriebs GmbH, Felix-Wankel-Strasse 1,
85221 Dachau, Germany
T +49 8131 28 08 90, neutrik@neutrik.de

FRANCE

Neutrik© France, 52 Rue d'aguesseau,
92100 Boulogne
T +33 1 41 31 67 50, info@neutrik.fr

GREAT BRITAIN

Neutrik (UK) Ltd., Westridge Business Park, Cothey Way Ryde,
Isle of Wight PO33 1 QT
T +44 1983 811 441, sales@neutrik.co.uk

ASSOCIATED COMPANIES

Contrik AG, Steinackerstrasse 35, 8902 Urdorf, Switzerland
T +41 44 736 50 10, contrik@contrik.ch

H. Adam GmbH, Felix-Wankel-Straße 1, 85221 Dachau, Germany
T +49 08131 28 08-0, anfrage@adam-gmbh.de

AUDIO NETWORK SOLUTIONS – Dante – NF26V1 – Data subject to change without prior notice. © 2020 NEUTRIK®.
NEUTRIK® is a registered trademark of Neutrik AG. ALL RIGHTS RESERVED.

www.neutrik.com