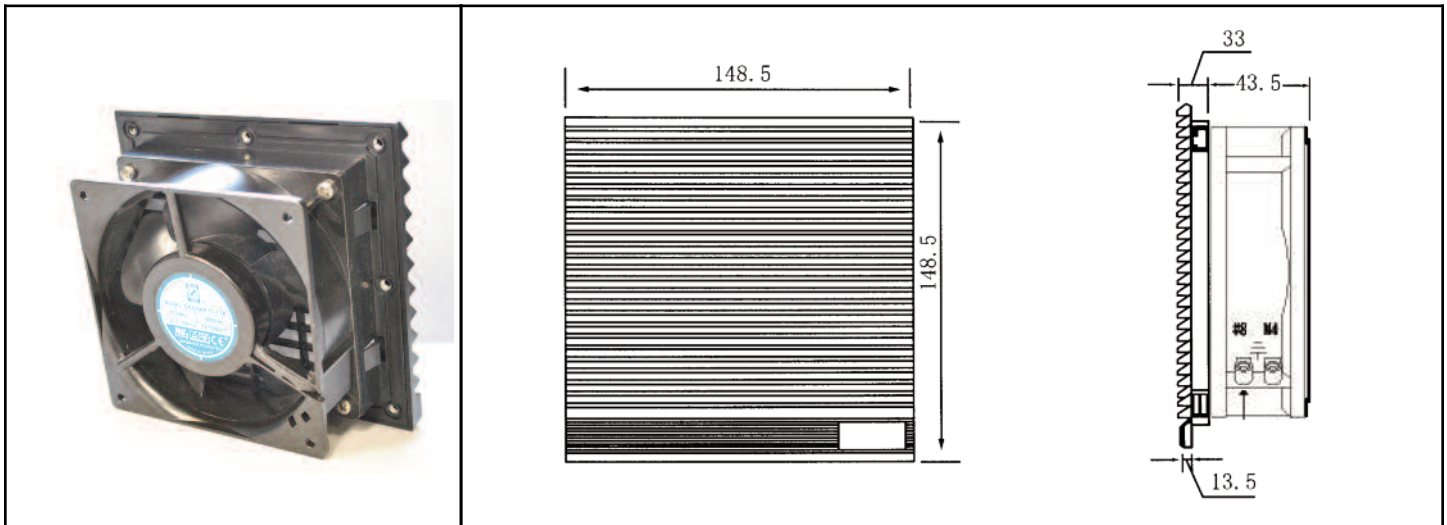


# OA109LFG Series

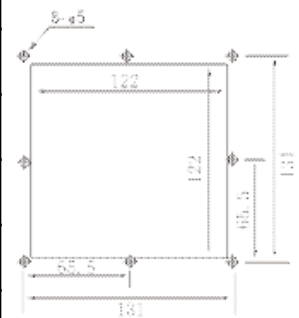


## Louvered Filter Fan Kit with Fan Installed



<b>Frame</b>	Diecast Aluminum	<b>Operating Temperature</b> -20C ~ +70C <b>Life Expectancy</b> >40,000 hours (L10, 40C )  <b>Environmental:</b> Class B Insulation Rated IP55 Fan Rated IP54 Guard Guard Frame: ABS Resin UL94V-0 with UV protection Color: Black (standard) or Gray (special order) Filter Mesh: Nylon fiber Synthetic Resin	
<b>Impeller</b>	PBT, UL94V-O plastic		
<b>Connection</b>	Terminals		
<b>Motor</b>	AC shaded pole, impedance protected		
<b>Bearing System</b>	Dual Ball		
<b>Insulation Resistance</b>	>100M ohm between leadwire and frame (500VDC)		
<b>Dielectric Strength</b>	1 min at 1500 VAC, 50/60Hz		

Model Number	OA109LFG111T	OA109LFG221T
<b>Nominal Voltage</b>	115 VAC	230 VAC
<b>Nominal Current</b>	0.16 A	0.08 A
<b>Rated Power</b>	12 W (60Hz)	15 W (60Hz)
<b>Rated Speed (RPM)</b>	3100	3100
<b>Airflow (CFM)</b>	106	106
<b>Noise Level (dB)</b>	46	46
<b>Max. Static Pressure</b>	0.32" H <sub>2</sub> O	0.32" H <sub>2</sub> O



PANEL CUTOUT

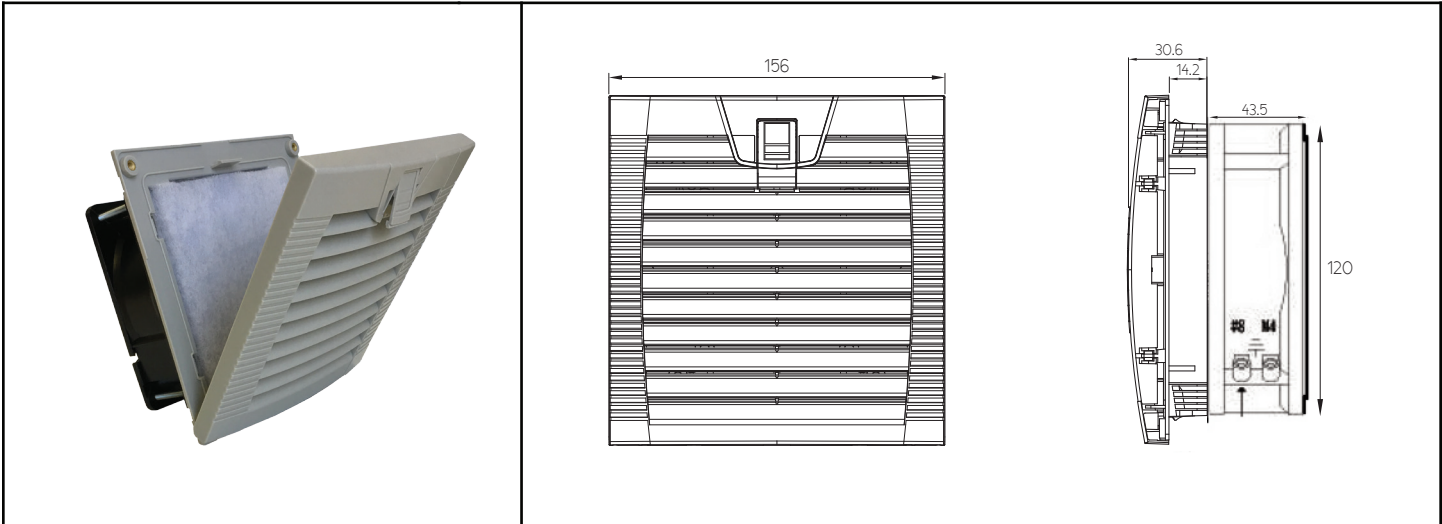
\* Note: Airflow data is for the fan without the louvered filter attached. Calculations indicate that up to a 40% reduction (~ 67 CFM) in fan airflow is possible with LFG unit installed.

# OA109LFGH Series

with Hinged Guard

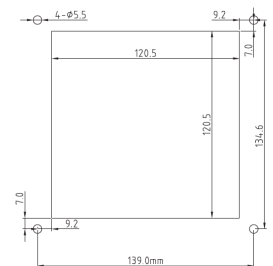


## Louvered Filter Fan Kit with Fan Installed



Frame	Diecast Aluminum	<p><u>Operating Temperature</u> -20C ~ +70C</p> <p><u>Life Expectancy</u> &gt;40,000 hours (L10, 40C )</p> <p>Environmental: Class B Insulation Rated IP55 Fan Rated IP54 Guard Guard Frame: ABS Resin UL94V-0 with UV protection Color: Gray (standard) or Black (special order) Filter Mesh: Nylon fiber Synthetic Resin</p>	
Impeller	PBT, UL94V-O plastic		
Connection	Terminals		
Motor	AC shaded pole, impedance protected		
Bearing System	Dual Ball		
Insulation Resistance	>100M ohm between leadwire and frame (500VDC)		
Dielectric Strength	1 min at 1500 VAC, 50/60Hz		

Model Number	OA109LFGH111T	OA109LFGH221T
Nominal Voltage	115 VAC	230 VAC
Nominal Current	0.16 A	0.08 A
Rated Power	12 W (60Hz)	15 W (60Hz)
Rated Speed (RPM)	3100	3100
Airflow (CFM)	106	106
Noise Level (dB)	46	46
Max. Static Pressure	0.32" H <sub>2</sub> O	0.32" H <sub>2</sub> O



PANEL CUTOUT

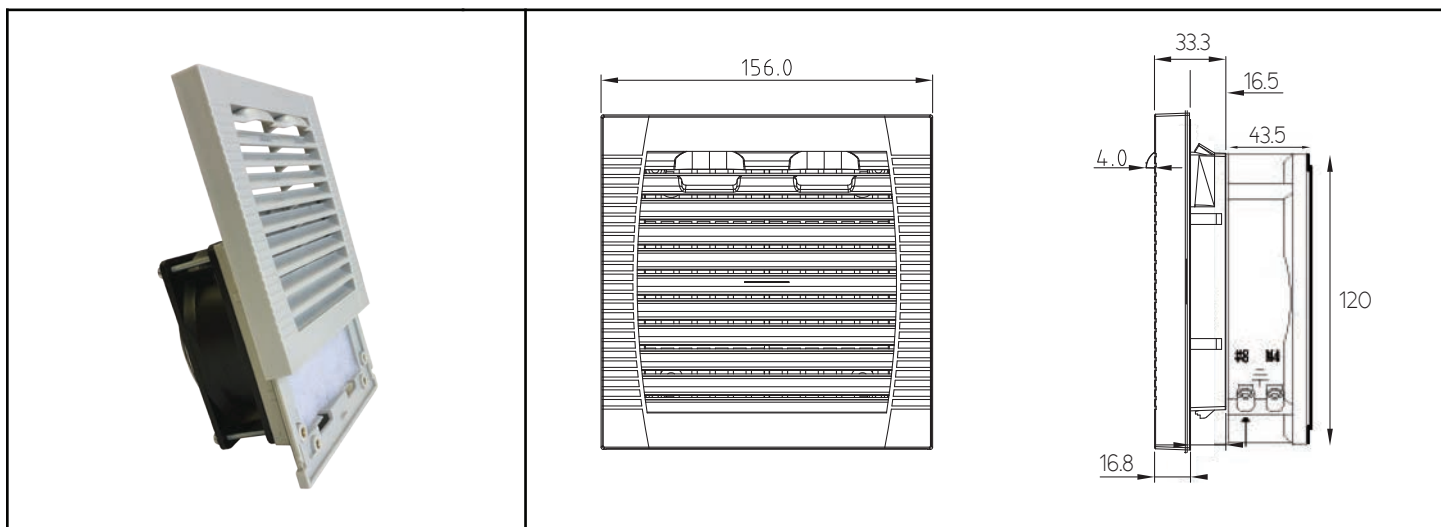
\* Note: Airflow data is for the fan without the louvered filter attached. Calculations indicate that up to a 40% reduction (~ 67 CFM) in fan airflow is possible with LFGH unit installed.

# OA109LFGS Series

with Slide Guard

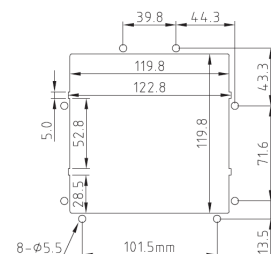


## Louvered Filter Fan Kit with Fan Installed



Frame	Diecast Aluminum	<p><u>Operating Temperature</u> -20C ~ +70C</p> <p><u>Life Expectancy</u> &gt;40,000 hours (L10, 40C)</p> <p><u>Environmental:</u> Class B Insulation Rated IP55 Fan Rated IP54 Guard Guard Frame: ABS Resin UL94V-0 with UV protection Color: Gray (standard) or Black (special order) Filter Mesh: Nylon fiber Synthetic Resin</p>	
Impeller	PBT, UL94V-O plastic		
Connection	Terminals		
Motor	AC shaded pole, impedance protected		
Bearing System	Dual Ball		
Insulation Resistance	>100M ohm between leadwire and frame (500VDC)		
Dielectric Strength	1 min at 1500 VAC, 50/60Hz		

Model Number	OA109LFGS111T	OA109LFGS221T
Nominal Voltage	115 VAC	230 VAC
Nominal Current	0.16 A	0.08 A
Rated Power	12 W (60Hz)	15 W (60Hz)
Rated Speed (RPM)	3100	3100
Airflow (CFM)	106	106
Noise Level (dB)	46	46
Max. Static Pressure	0.32" H <sub>2</sub> O	0.32" H <sub>2</sub> O



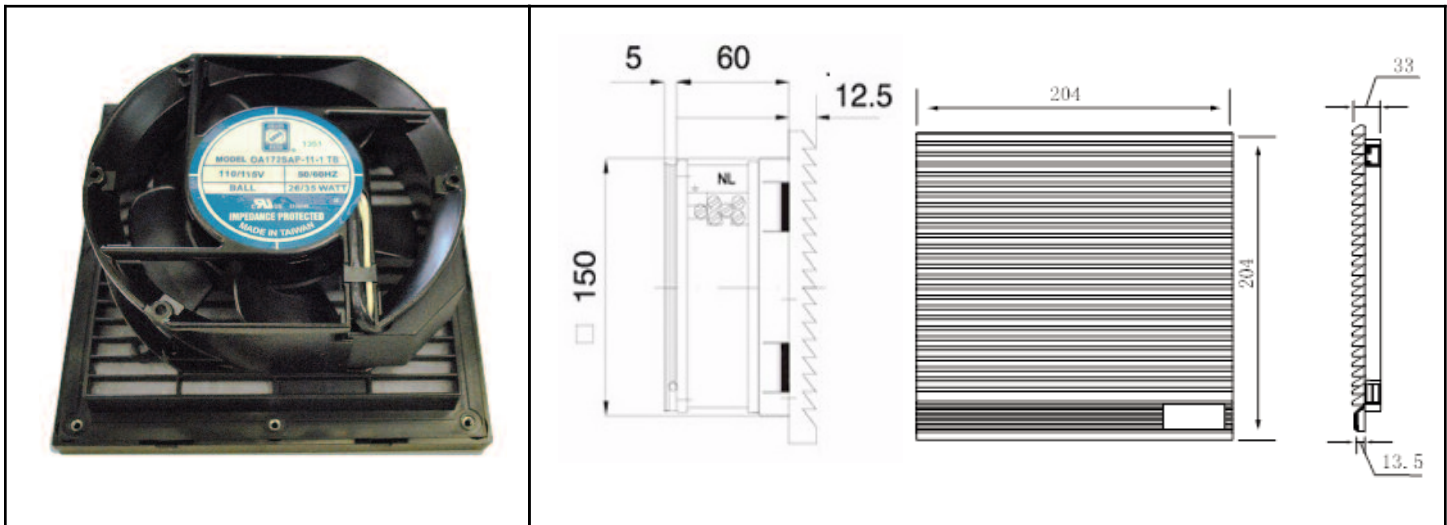
PANEL CUTOUT

\* Note: Airflow data is for the fan without the louvered filter attached. Calculations indicate that up to a 40% reduction (~ 67 CFM) in fan airflow is possible with LFGS unit installed.

# OA172LFG Series

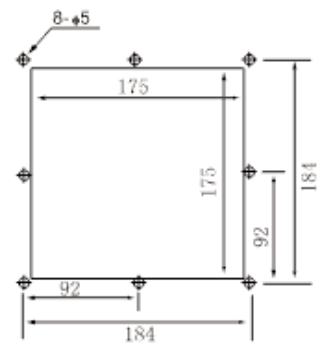


## Louvered Filter Fan Kit with Fan Installed



<b>Frame</b>	Diecast Aluminum	<b>Operating Temperature</b> Ball Bearing -40C ~ +70C  <b>Life Expectancy</b> Ball Bearing 60,000 hours (L10 at 40C)  <b>Environmental:</b> Class B Insulation Rated IP54 Guard Guard Frame: ABS Resin UL94V-0 with UV protection Color: Black (standard) or Gray Filter Mesh: Nylon fiber Synthetic Resin	
<b>Impeller</b>	PBT, UL94V-O plastic		
<b>Connection</b>	2x Lead Wires or Terminals		
<b>Motor</b>	Capacitor drive, impedance protected		
<b>Bearing System</b>	Dual ball		
<b>Insulation Resistance</b>	>100M ohm between lead-wire and frame (500VDC)		
<b>Dielectric Strength</b>	1 min at 1500 VAC, 50/60Hz		

Model Number	OA172LFG111T	OA172LFG221T
<b>Nominal Voltage</b>	115 VAC	230 VAC
<b>Voltage Range</b>	80 ~ 130 VAC	160 ~ 260 VAC
<b>Rated Power</b>	35 W	35 W
<b>Rated Speed (RPM)</b>	3200	3200
<b>Airflow (CFM)</b>	235	235
<b>Noise Level (dB)</b>	52	52
<b>Max. Static Pressure</b>	0.70 "H2O	0.70 "H2O



PANEL CUTOUT

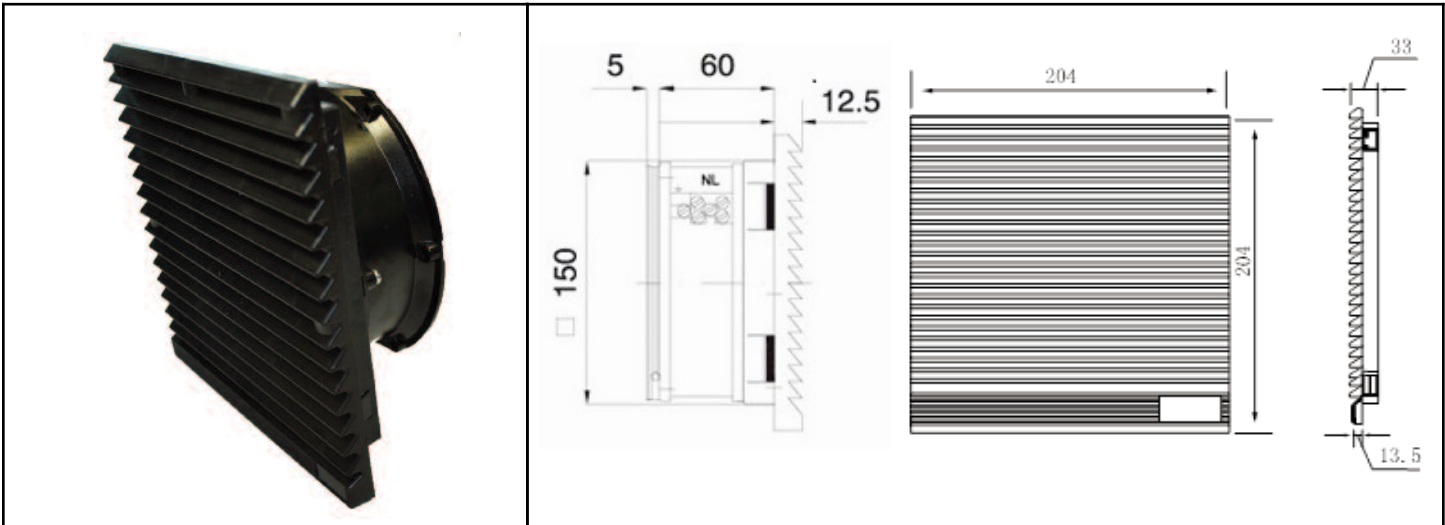
\* Note: Airflow data is for the fan without the louvered filter attached. Calculations indicate that up to a 40% reduction (~ 141 CFM) in fan airflow is possible with LFG unit installed.



# OA172LFG XC Series

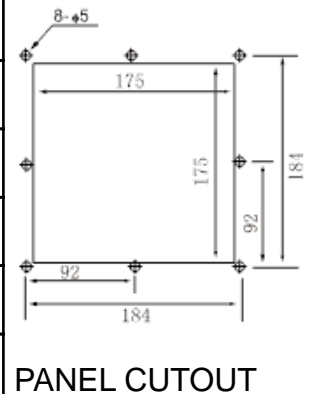


## Louvered Filter Fan Kit with Fan Installed



<b>Frame</b>	Diecast Aluminum	<b>Operating Temperature</b> Ball Bearing -40C ~ +70C  <b>Life Expectancy</b> Ball Bearing 60,000 hours (L10 at 40C)  <b>Environmental:</b> Class B Insulation Rated IP54 Guard Guard Frame: ABS Resin UL94V-0 with UV protection Color: Black (standard) or Gray Filter Mesh: Nylon fiber Synthetic Resin	
<b>Impeller</b>	PBT, UL94V-O plastic		
<b>Connection</b>	2x Lead Wires or Terminals		
<b>Motor</b>	Capacitor drive, impedance protected		
<b>Bearing System</b>	Dual ball		
<b>Insulation Resistance</b>	>100M ohm between lead-wire and frame (500VDC)		
<b>Dielectric Strength</b>	1 min at 1500 VAC, 50/60Hz		

Part Number	OA172LFG111TXC	OA172LFG221TXC
<b>Nominal Voltage</b>	120 VAC	230 VAC
<b>Voltage Range</b>	100 ~ 125 VAC	200 ~ 240 VAC
<b>Rated Power</b>	50 W (60Hz)	50 W (60Hz)
<b>Rated Speed (RPM)</b>	3300	3300
<b>Airflow (CFM)</b>	300	300
<b>Noise Level (dB)</b>	61	61
<b>Max. Static Pressure</b>	0.78" H <sub>2</sub> O	0.78" H <sub>2</sub> O



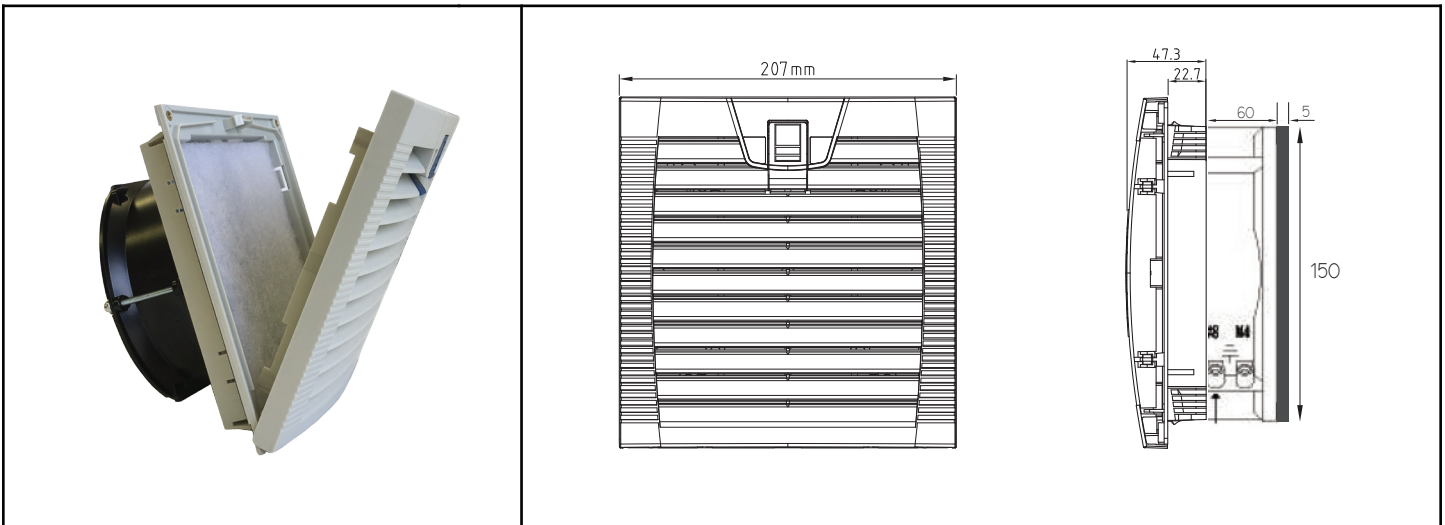
PANEL CUTOUT

\* Note: Airflow data is for the fan without the louvered filter attached. Calculations indicate that up to a 40% reduction (~ 180 CFM) in fan airflow is possible with LFG unit installed.

# OA172LFGH Series with Hinged Guard

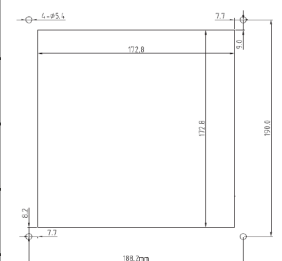


## Louvered Filter Fan Kit with Fan Installed



Frame	Diecast Aluminum	<p>Operating Temperature Ball Bearing -40C ~ +70C</p> <p>Life Expectancy &gt;60,000 hours (L10, 40C )</p> <p>Environmental: Class B Insulation Rated IP54 Guard Guard Frame: ABS Resin UL94V-0 with UV protection Color: Gray (standard) or Black (special order) Filter Mesh: Nylon fiber Synthetic Resin</p>	
Impeller	PBT, UL94V-O plastic		
Connection	2x Lead Wires or Terminals		
Motor	Capacitor drive, impedance protected		
Bearing System	Dual Ball		
Insulation Resistance	>100M ohm between leadwire and frame (500VDC)		
Dielectric Strength	1 min at 1500 VAC, 50/60Hz		

Model Number	OA172LFGH111T	OA172LFGH221T
Nominal Voltage	115 VAC	230 VAC
Voltage Range	80 ~ 130 VAC	160 ~ 260 VAC
Rated Power	35 W	35 W
Rated Speed (RPM)	3200	3200
Airflow (CFM)	235	235
Noise Level (dB)	52	52
Max. Static Pressure	0.70" H <sub>2</sub> O	0.70" H <sub>2</sub> O



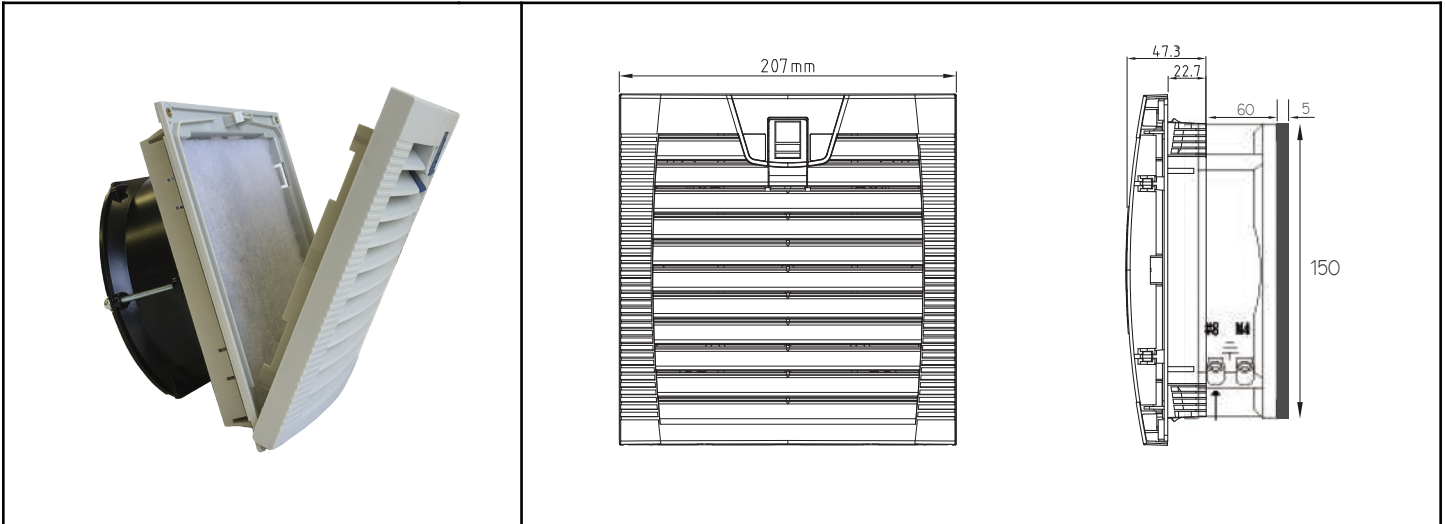
PANEL CUTOUT

\* Note: Airflow data is for the fan without the louvered filter attached. Calculations indicate that up to a 40% reduction (~ 141 CFM) in fan airflow is possible with LFGH unit installed.

# OA172LFGH XC Series with Hinged Guard

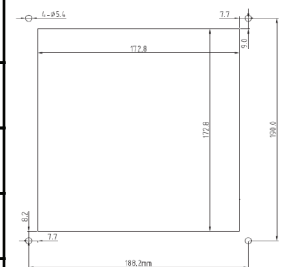


## Louvered Filter Fan Kit with Fan Installed



Frame	Diecast Aluminum	Operating Temperature Ball Bearing -40C ~ +70C  Life Expectancy >60,000 hours (L10, 40C )  Environmental: Class B Insulation Rated IP54 Guard Guard Frame: ABS Resin UL94V-0 with UV protection Color: Gray (standard) or Black (special order) Filter Mesh: Nylon fiber Synthetic Resin	
Impeller	PBT, UL94V-O plastic		
Connection	2x Lead Wires or Terminals		
Motor	Capacitor drive, impedance protected		
Bearing System	Dual Ball		
Insulation Resistance	>100M ohm between leadwire and frame (500VDC)		
Dielectric Strength	1 min at 1500 VAC, 50/60Hz		

Model Number	OA172LFGH111TXC	OA172LFGH221TXC
Nominal Voltage	120 VAC	230 VAC
Voltage Range	100 ~ 125 VAC	200 ~ 240 VAC
Rated Power	50 W	50 W
Rated Speed (RPM)	3300	3300
Airflow (CFM)	300	300
Noise Level (dB)	61	61
Max. Static Pressure	0.78" H <sub>2</sub> O	0.78" H <sub>2</sub> O



PANEL CUTOUT

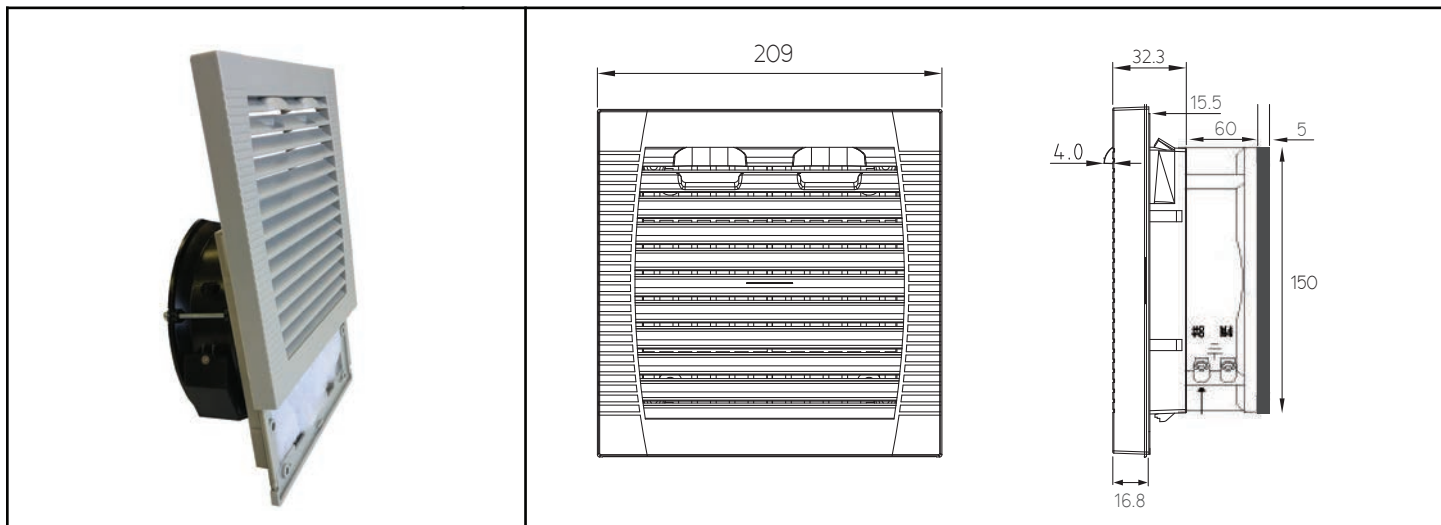
\* Note: Airflow data is for the fan without the louvered filter attached. Calculations indicate that up to a 40% reduction (~ 180 CFM) in fan airflow is possible with LFGH unit installed.

# OA172LFGS Series

with Slide Guard

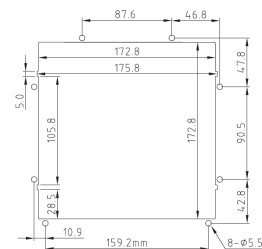


## Louvered Filter Fan Kit with Fan Installed



Frame	Diecast Aluminum	Operating Temperature Ball Bearing -40C ~ +70C  Life Expectancy >60,000 hours (L10, 40C )  Environmental: Class B Insulation Rated IP54 Guard Guard Frame: ABS Resin UL94V-0 with UV protection Color: Gray (standard) or Black (special order) Filter Mesh: Nylon fiber Synthetic Resin	
Impeller	PBT, UL94V-O plastic		
Connection	2x Lead Wires or Terminals		
Motor	Capacitor drive, impedance protected		
Bearing System	Dual Ball		
Insulation Resistance	>100M ohm between leadwire and frame (500VDC)		
Dielectric Strength	1 min at 1500 VAC, 50/60Hz		

Model Number	OA172LFGS111T	OA172LFGS221T
Nominal Voltage	115 VAC	230 VAC
Voltage Range	80 ~ 130 VAC	160 ~ 260 VAC
Rated Power	35 W	35 W
Rated Speed (RPM)	3200	3200
Airflow (CFM)	235	235
Noise Level (dB)	52	52
Max. Static Pressure	0.70" H <sub>2</sub> O	0.70" H <sub>2</sub> O



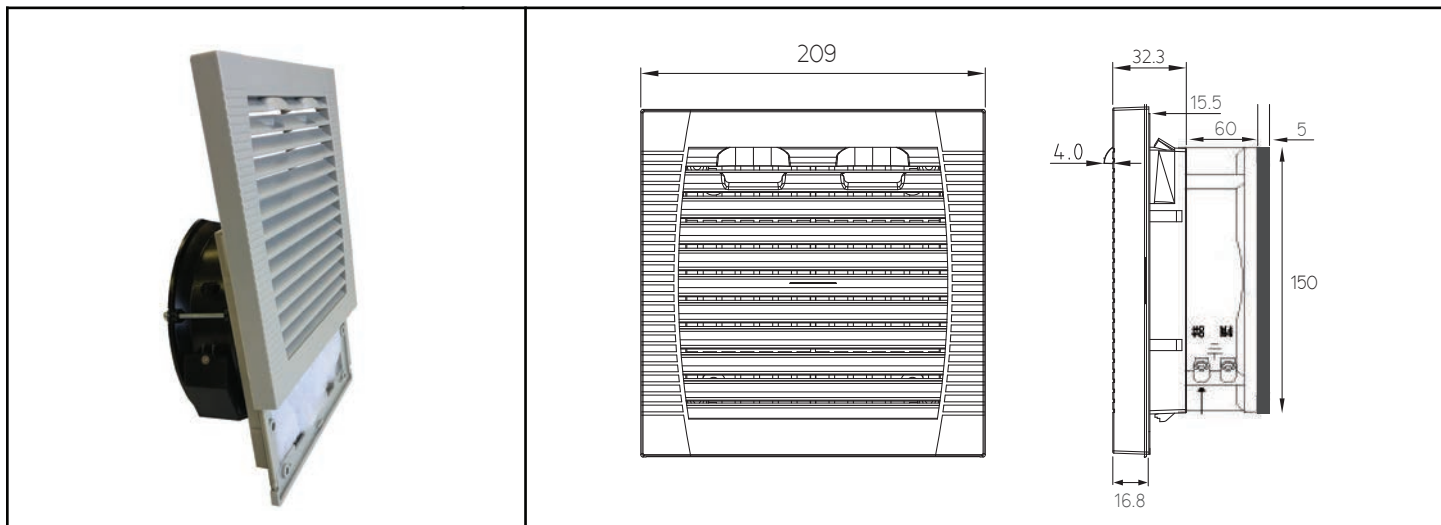
PANEL CUTOUT

\* Note: Airflow data is for the fan without the louvered filter attached. Calculations indicate that up to a 40% reduction (~ 141 CFM) in fan airflow is possible with LFGS unit installed.

# OA172LFGS XC Series with Slide Guard

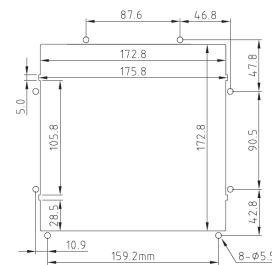


## Louvered Filter Fan Kit with Fan Installed



Frame	Diecast Aluminum	Operating Temperature Ball Bearing -40C ~ +70C  Life Expectancy >60,000 hours (L10, 40C )  Environmental: Class B Insulation Rated IP54 Guard Guard Frame: ABS Resin UL94V-0 with UV protection Color: Gray (standard) or Black (special order) Filter Mesh: Nylon fiber Synthetic Resin	
Impeller	PBT, UL94V-O plastic		
Connection	2x Lead Wires or Terminals		
Motor	Capacitor drive, impedance protected		
Bearing System	Dual Ball		
Insulation Resistance	>100M ohm between leadwire and frame (500VDC)		
Dielectric Strength	1 min at 1500 VAC, 50/60Hz		

Model Number	OA172LFGS111TXC	OA172LFGS221TXC
Nominal Voltage	120 VAC	230 VAC
Voltage Range	100 ~ 125 VAC	200 ~ 240 VAC
Rated Power	50 W	50 W
Rated Speed (RPM)	3300	3300
Airflow (CFM)	300	300
Noise Level (dB)	61	61
Max. Static Pressure	0.78" H <sub>2</sub> O	0.78" H <sub>2</sub> O



PANEL CUTOUT

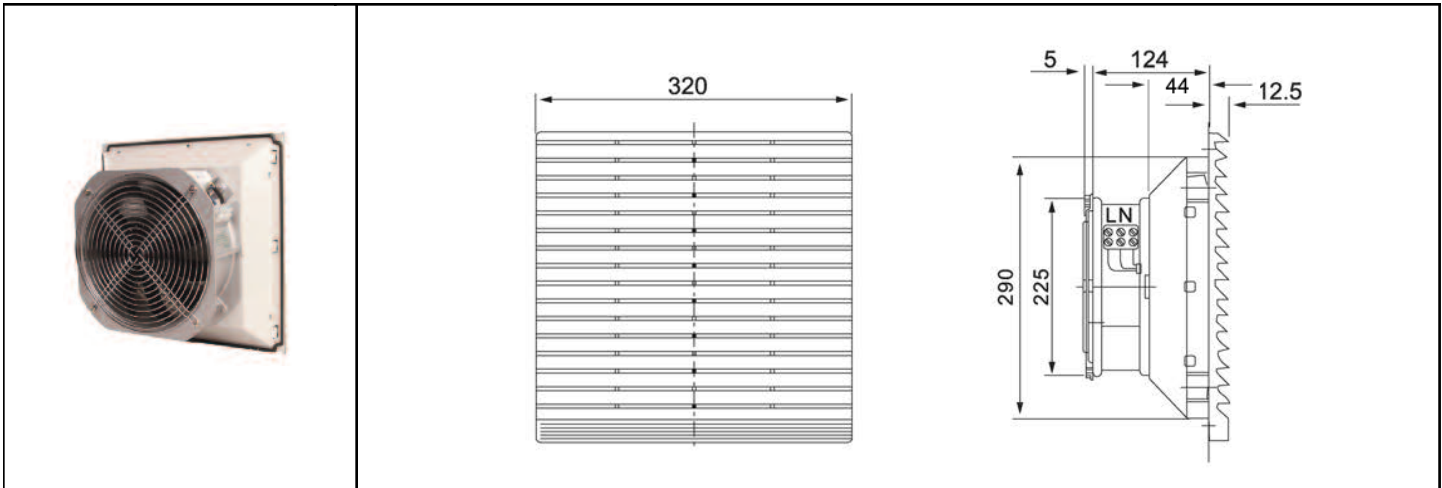
\* Note: Airflow data is for the fan without the louvered filter attached. Calculations indicate that up to a 40% reduction (~ 180 CFM) in fan airflow is possible with LFGS unit installed.



# OA225LFG Series

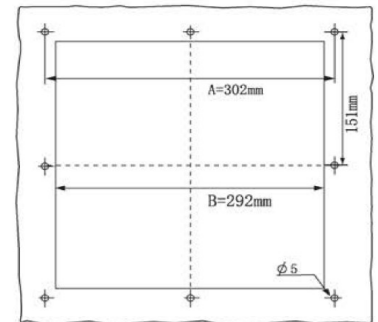


## Louvered Filter Fan Kit with Fan Installed



<b>Frame</b>	Diecast Aluminum	<b>Operating Temperature</b> Ball Bearing -40C ~ +80C <b>Life Expectancy</b> Ball Bearing 40,000 hours (L10 at 40C)  <b>Environmental:</b> IP55 Rated Fan IP54 Rated Guard  Guard Frame: ABS Resin UL94V-0 with UV protection Color: Black (standard) or Gray (shown) Filter Mesh: Nylon fiber Synthetic Resin	
<b>Impeller</b>	Metal		
<b>Connection</b>	Terminal Block, 18AWG		
<b>Motor</b>	Capacitor drive, thermally protected		
<b>Bearing System</b>	Dual ball		
<b>Insulation</b>	Class F		
<b>Dielectric Strength</b>	1 min at 1500 VAC, 50/60Hz		

Part Number	OA225LFG111T	OA225LFG221T
<b>Nominal Voltage</b>	115VAC	230VAC
<b>Voltage Range</b>	100 ~ 125VAC	200 ~ 240VAC
<b>Rated Power</b>	65 / 72 W	74 / 80 W
<b>Nominal Current</b>	0.58 / 0.70 A	0.29 / 0.35 A
<b>Rated Speed (RPM) 50/60Hz</b>	2550 / 2800	2550 / 2800
<b>Airflow (CFM) 50/60Hz</b>	530 / 600	530 / 600 *
<b>Noise Level (dB) 50/60Hz</b>	61 / 59	59 / 61
<b>Max. Static Pressure 50/60Hz</b>	0.67" / 0.55" H <sub>2</sub> O	0.55" / 0.67" H <sub>2</sub> O



PANEL CUTOUT

\* Note: Airflow data is for the fan without the louvered filter attached. Calculations indicate that up to a 40% reduction (~ 318 / ~ 360 CFM) in fan airflow is possible with LFG unit installed.

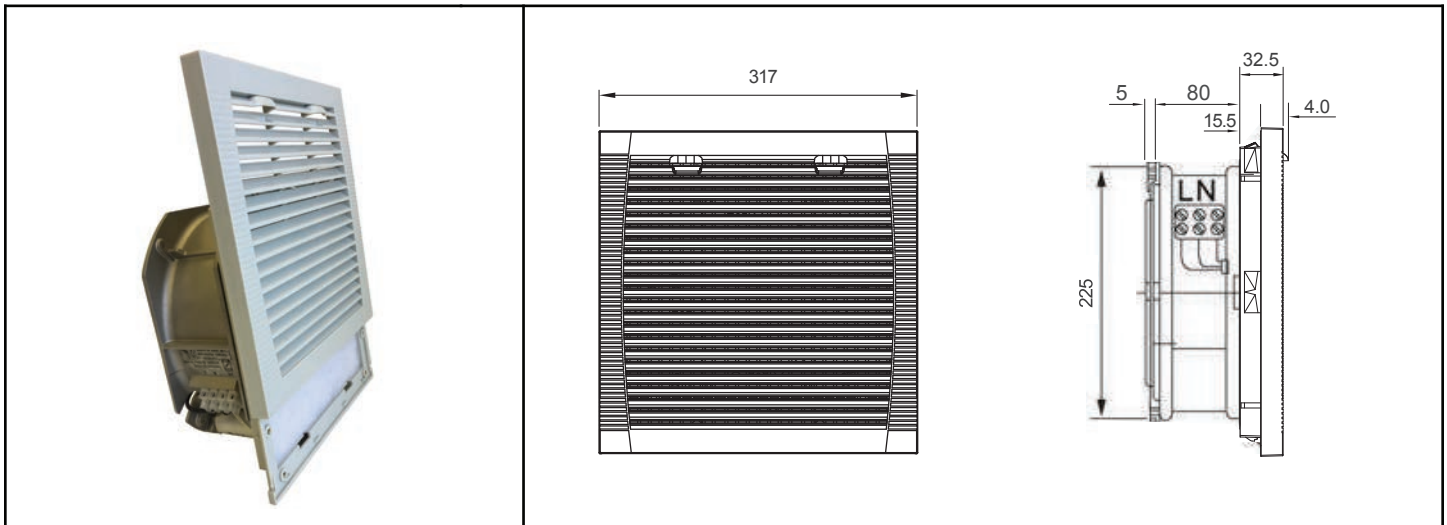


# OA225LFGS Series

with Slide Guard

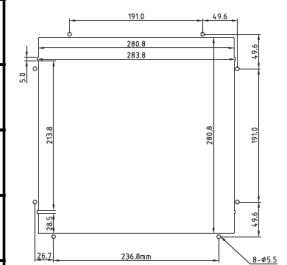


## Louvered Filter Fan Kit with Fan Installed



Frame	Diecast Aluminum	<p>Operating Temperature Ball Bearing 40C ~ +70C</p> <p>Life Expectancy &gt;40,000 hours (L10, 40C)</p> <p>Environmental: Rated IP55 Fan Rated IP54 Guard</p> <p>Guard Frame: ABS Resin UL94V-0 with UV protection Color: Gray (standard) or Black (special order) Filter Mesh: Nylon fiber Synthetic Resin</p>	
Impeller	Metal		
Connection	Terminal Block, 18AWG		
Motor	Capacitor drive, thermally protected		
Bearing System	Dual Ball		
Insulation Resistance	Class F		
Dielectric Strength	1 min at 1500 VAC, 50/60Hz		

Model Number	OA225LFGS111T	OA225LFGS221T
Nominal Voltage	115 VAC	230 VAC
Voltage Range	100 ~ 125 VAC	200 ~ 240 VAC
Rated Power	65 / 72 W	74 / 80 W
Rated Speed (RPM)	2550 / 2800	2550 / 2800
Airflow (CFM)	530 / 600	530 / 600*
Noise Level (dB)	61 / 59	61 / 59
Max. Static Pressure	0.67" / 0.55" H <sub>2</sub> O	0.67" / 0.55" H <sub>2</sub> O



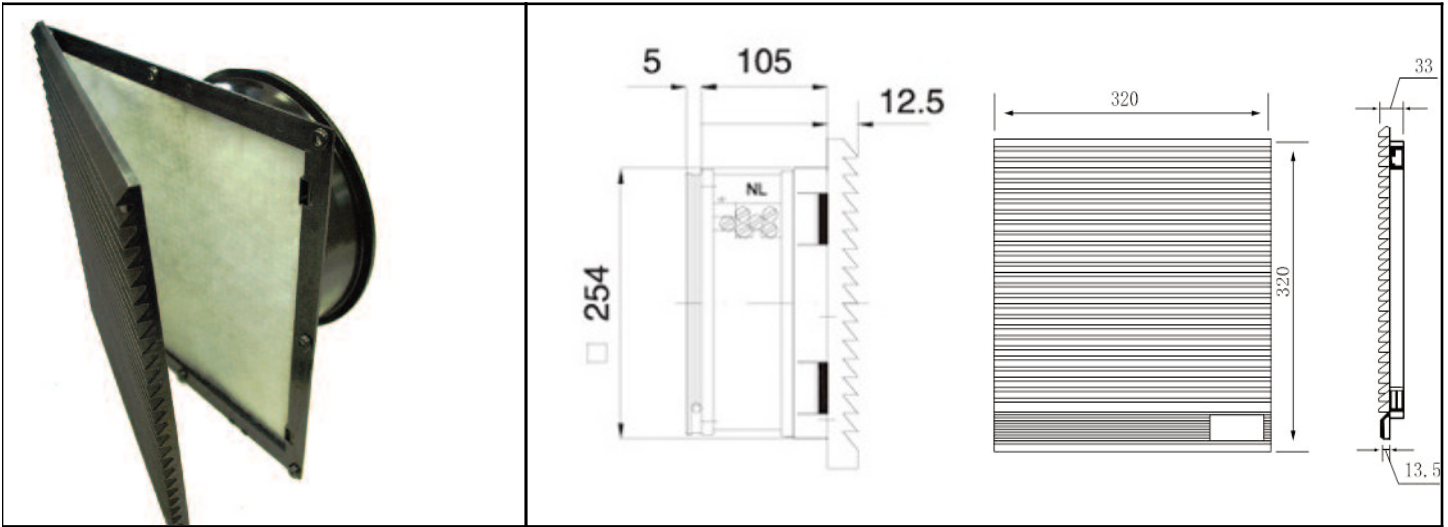
PANEL CUTOUT

\* Note: Airflow data is for the fan without the louvered filter attached. Calculations indicate that up to a 40% reduction (~ 318 / ~ 360 CFM) in fan airflow is possible with LFGS unit installed.

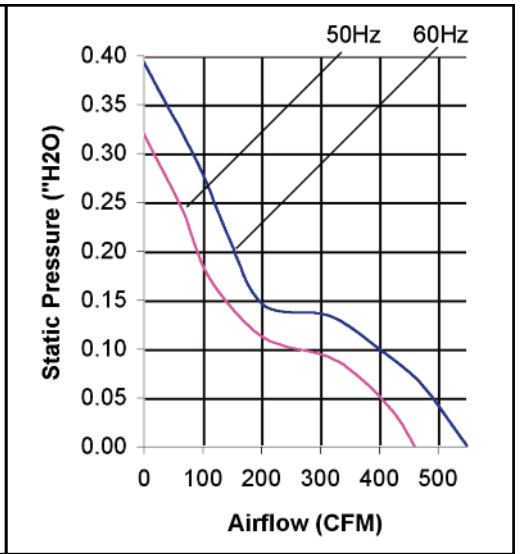
# OA254LFG Series



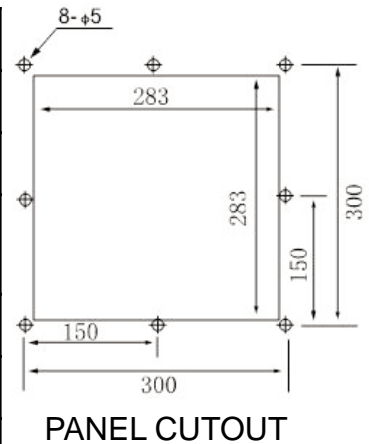
## Louvered Filter Fan Kit with Fan Installed



Frame	Diecast Aluminum	<b>Operating Temperature</b> Ball Bearing -20C ~ +80C  <b>Life Expectancy</b> Ball Bearing 60,000 hours (L10 at 40C)  <b>Environmental:</b> Class B Insulation Rated IP54 Guard Guard Frame: ABS Resin UL94V-0 with UV protection Color: Black (standard) or Gray Filter Mesh: Nylon fiber Synthetic Resin m2
Impeller	PBT, UL94V-O plastic	
Connection	2x Lead Wires or Terminals	
Motor	Capacitor drive, thermally protected	
Bearing System	Dual ball	
Insulation Resistance	>100M ohm between lead-wire and frame (500VDC)	
Dielectric Strength	1 min at 1500 VAC, 50/60Hz	



Part Number	OA254LFG111T	OA254LFG221T
Nominal Voltage (50/60 Hz)	115VAC	230VAC
Voltage Range	80 ~ 130VAC	160 ~ 260VAC
Rated Power	31/33 W (0.30 / 0.29 A)	31/33 W (0.14 / 0.14 A)
Rated Speed	1400 / 1650	1400 / 1650
Airflow - CFM	460 / 547	460 / 547
Noise Level - dB	52 / 55	52 / 55
Max. Static Pressure	0.32\" / 0.39\" H <sub>2</sub> O	0.32\" / 0.39\" H <sub>2</sub> O

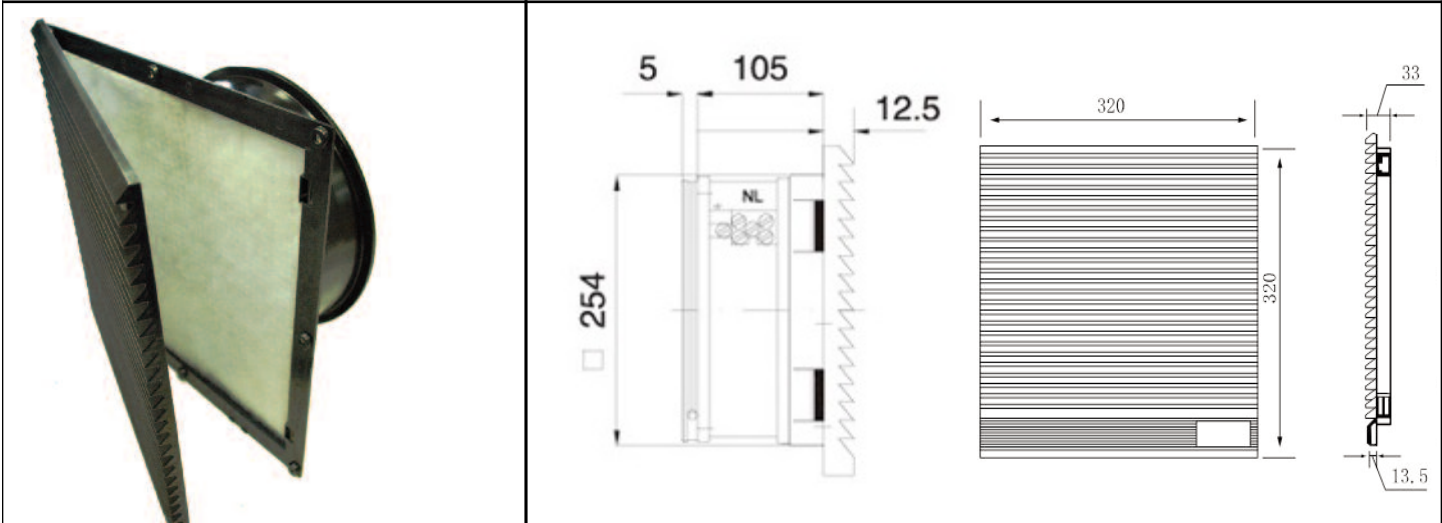


\* Note: Airflow data is for the fan without the louvered filter attached. Calculations indicate that up to a 40% reduction (~ 276 / 328 CFM) in fan airflow is possible with LFG unit installed.

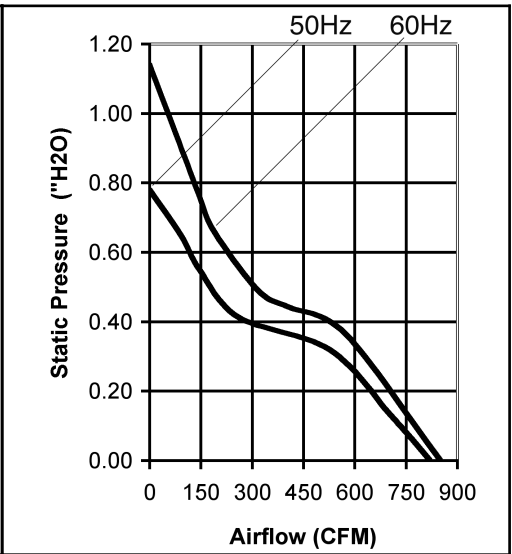
# OA254LFG XC Series



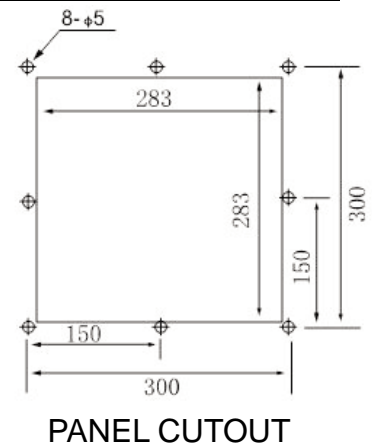
## Louvered Filter Fan Kit with Fan Installed



Frame	Diecast Aluminum	<b>Operating Temperature</b> Ball Bearing -40C ~ +70C  <b>Life Expectancy</b> Ball Bearing 60,000 hours (L10 at 40C)  <b>Environmental:</b> Class B Insulation Rated IP54 Guard Guard Frame: ABS Resin UL94V-0 with UV protection Color: Black (standard) or Gray Filter Mesh: Nylon fiber Synthetic Resin  m0
Impeller	PBT, UL94V-O plastic	
Connection	2x Lead Wires or Terminals	
Motor	Capacitor drive, impedance protected	
Bearing System	Dual ball	
Insulation Resistance	>100M ohm between lead-wire and frame (500VDC)	
Dielectric Strength	1 min at 1500 VAC, 50/60Hz	



Model Number	OA254LFG111TXC	OA254LFG221TXC
Nominal Voltage	115 VAC	230 VAC
Voltage Range	80 ~ 130	160 ~ 260
Rated Power	75	75
Rated Speed (RPM)	2700	2700
Airflow (CFM)	850	850
Noise Level (dB)	69	69
Max. Static Pressure	0.78 \"H2O	0.78\" H2O



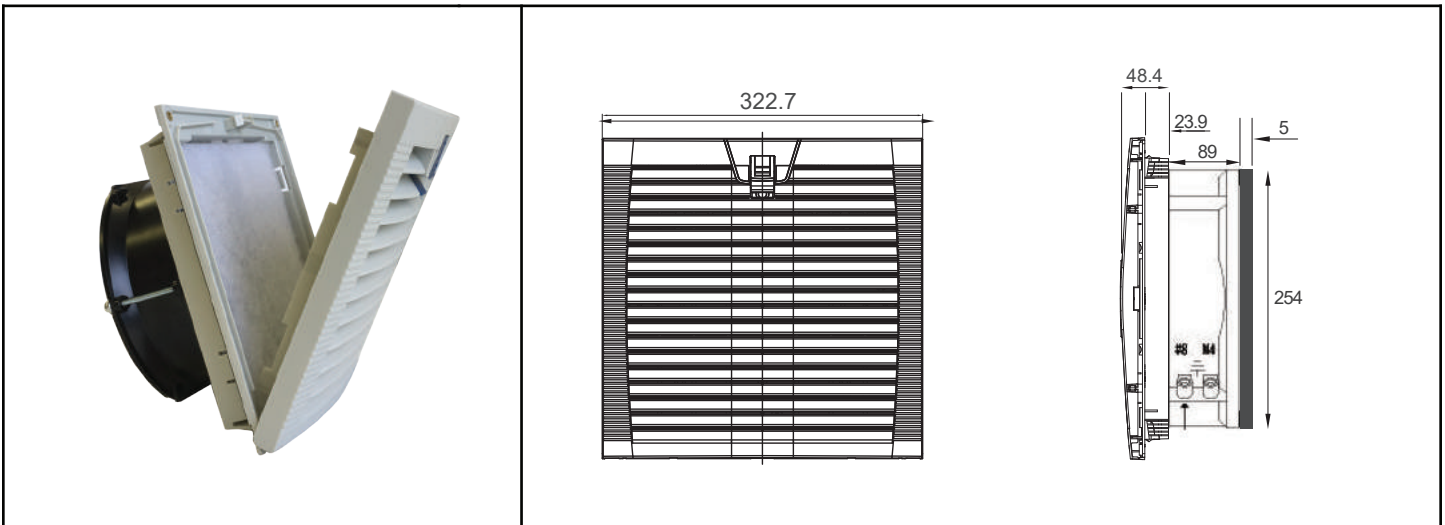
\* Note: Airflow data is for the fan without the louvered filter attached. Calculations indicate that up to a 40% reduction (~ 510 CFM) in fan airflow is possible with LFG unit installed.



# OA254LFGH Series with Hinged Guard

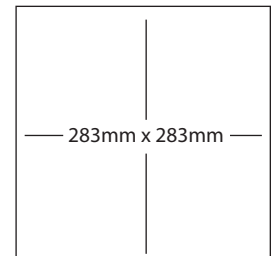


## Louvered Filter Fan Kit with Fan Installed



Frame	Diecast Aluminum	<p>Operating Temperature -20C ~ +70C</p> <p>Life Expectancy Ball Bearing &gt;60,000 hours (L10, 40C )</p> <p>Environmental: Class B Insulation Rated IP54 Guard Guard Frame: ABS Resin UL94V-0 with UV protection Color: Gray (standard) or Black (special order) Filter Mesh: Nylon fiber Synthetic Resin</p>	
Impeller	PBT, UL94V-O plastic		
Connection	2x Lead Wires or Terminals		
Motor	Capacitor drive, thermally protected		
Bearing System	Dual Ball		
Insulation Resistance	>100M ohm between leadwire and frame (500VDC)		
Dielectric Strength	1 min at 1500 VAC, 50/60Hz		

Model Number	OA254LFGH111T	OA254LFGH221T
Nominal Voltage	115 VAC	230 VAC
Voltage Range	80 ~ 130 VAC	160 ~ 260 VAC
Rated Power	31 / 33 W (0.30 / 0.29)	31 / 33 W (0.30 / 0.29)
Rated Speed (RPM)	1400 / 1650	1400 / 1650
Airflow (CFM)	460 / 547	460 / 547
Noise Level (dB)	52 / 55	52 / 55
Max. Static Pressure	0.32" / 0.39" H <sub>2</sub> O	0.32" / 0.39" H <sub>2</sub> O



PANEL CUTOUT

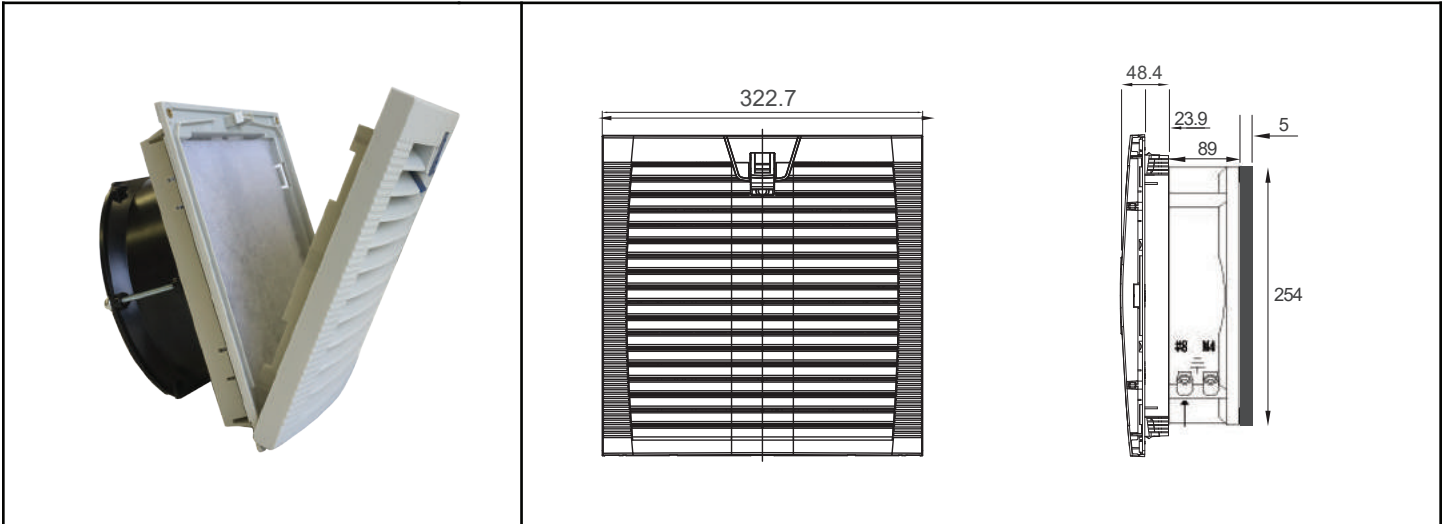
\* Note: Airflow data is for the fan without the louvered filter attached. Calculations indicate that up to a 40% reduction (~ 267 / 328 CFM) in fan airflow is possible with LFGH unit installed.

# OA254LFGH XC Series

with Hinged Guard

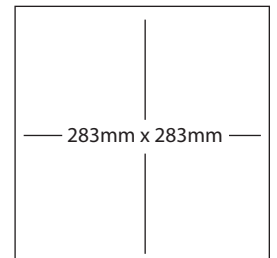


## Louvered Filter Fan Kit with Fan Installed



Frame	Diecast Aluminum	<p>Operating Temperature -20C ~ +70C Life Expectancy Ball Bearing &gt;60,000 hours (L10, 40C )</p> <p>Environmental: Class B Insulation Rated IP54 Guard Guard Frame: ABS Resin UL94V-0 with UV protection Color: Gray (standard) or Black (special order) Filter Mesh: Nylon fiber Synthetic Resin</p>	
Impeller	PBT, UL94V-O plastic		
Connection	2x Lead Wires or Terminals		
Motor	Capacitor drive, thermally protected		
Bearing System	Dual Ball		
Insulation Resistance	>100M ohm between leadwire and frame (500VDC)		
Dielectric Strength	1 min at 1500 VAC, 50/60Hz		

Model Number	OA254LFGH111TXC	OA254LFGH221TXC
Nominal Voltage	115 VAC	230 VAC
Voltage Range	80 ~ 130	160 ~ 260
Rated Power	75	75
Rated Speed (RPM)	2700	2700
Airflow (CFM)	850	850
Noise Level (dB)	69	69
Max. Static Pressure	.78" H <sub>2</sub> O	.78" H <sub>2</sub> O



PANEL CUTOUT

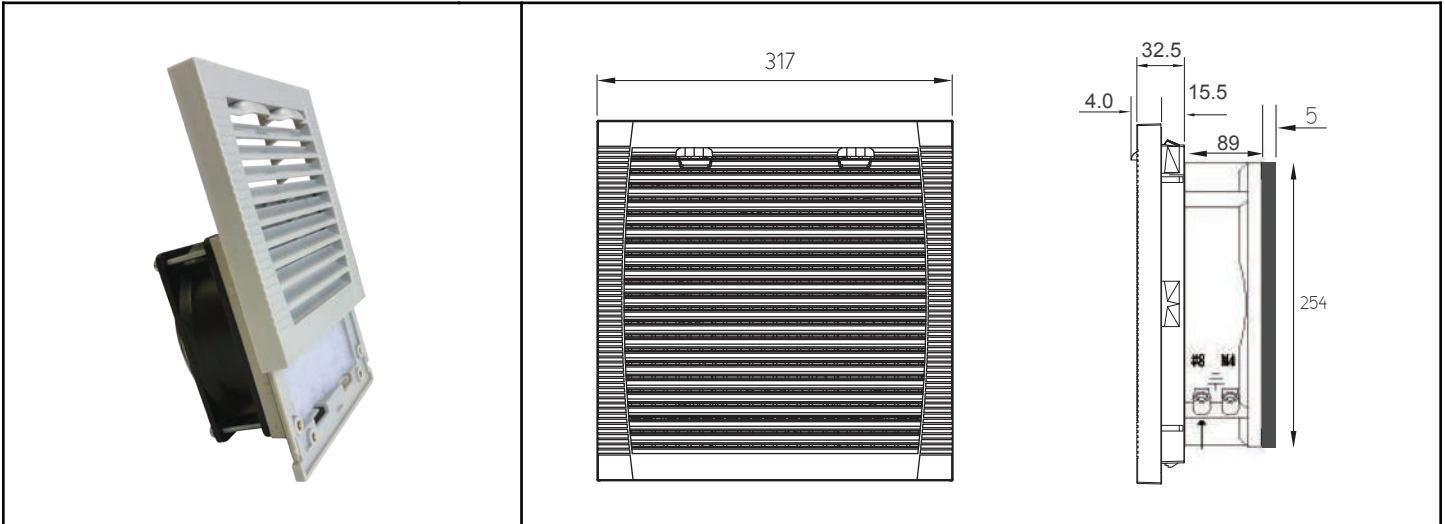
\* Note: Airflow data is for the fan without the louvered filter attached. Calculations indicate that up to a 40% reduction (~ 510 CFM) in fan airflow is possible with LFGH unit installed.

# OA254LFGS Series

with Slide Guard

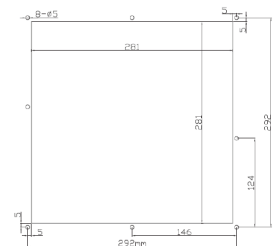


## Louvered Filter Fan Kit with Fan Installed



Frame	Diecast Aluminum	<p>Operating Temperature -20C ~ +70C Life Expectancy Ball Bearing &gt;60,000 hours (L10, 40C )</p> <p>Environmental: Class B Insulation Rated IP54 Guard Guard Frame: ABS Resin UL94V-0 with UV protection Color: Gray (standard) or Black (special order) Filter Mesh: Nylon fiber Synthetic Resin</p>	
Impeller	PBT, UL94V-O plastic		
Connection	2x Lead Wires or Terminals		
Motor	Capacitor drive, thermally protected		
Bearing System	Dual Ball		
Insulation Resistance	>100M ohm between leadwire and frame (500VDC)		
Dielectric Strength	1 min at 1500 VAC, 50/60Hz		

Model Number	OA254LFGS111T	OA254LFGS221T
Nominal Voltage	115 VAC	230 VAC
Voltage Range	80 ~ 130 VAC	160 ~ 260 VAC
Rated Power	31 / 33 W (0.30 / 0.29)	31 / 33 W (0.30 / 0.29)
Rated Speed (RPM)	1400 / 1650	1400 / 1650
Airflow (CFM)	460 / 547	460 / 547
Noise Level (dB)	52 / 55	52 / 55
Max. Static Pressure	0.32\" / 0.39\" H <sub>2</sub> O	0.32\" / 0.39\" H <sub>2</sub> O



PANEL CUTOUT

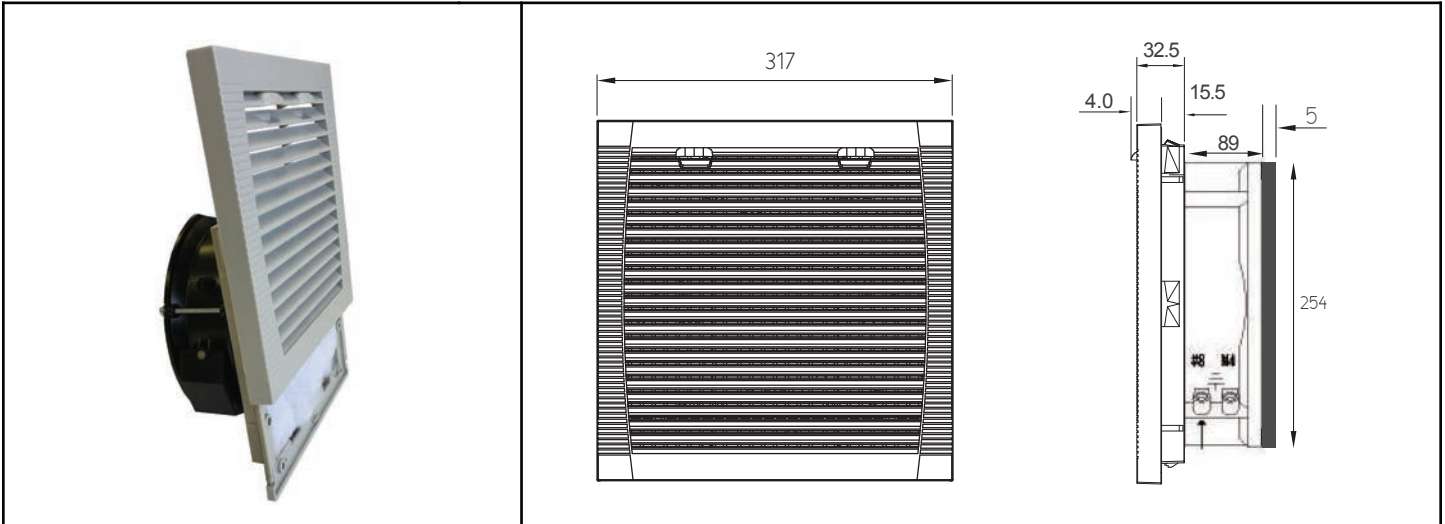
\* Note: Airflow data is for the fan without the louvered filter attached. Calculations indicate that up to a 40% reduction (~ 267 / 328 CFM) in fan airflow is possible with LFGH unit installed.

# OA254LFGS XC Series

with Slide Guard

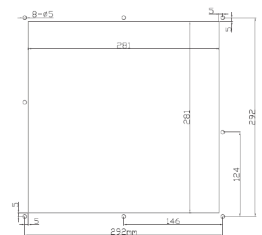


## Louvered Filter Fan Kit with Fan Installed



Frame	Diecast Aluminum	<p>Operating Temperature -20C ~ +70C Life Expectancy Ball Bearing &gt;60,000 hours (L10, 40C )</p> <p>Environmental: Class B Insulation Rated IP54 Guard Guard Frame: ABS Resin UL94V-0 with UV protection Color: Gray (standard) or Black (special order) Filter Mesh: Nylon fiber Synthetic Resin</p>	
Impeller	PBT, UL94V-O plastic		
Connection	2x Lead Wires or Terminals		
Motor	Capacitor drive, thermally protected		
Bearing System	Dual Ball		
Insulation Resistance	>100M ohm between leadwire and frame (500VDC)		
Dielectric Strength	1 min at 1500 VAC, 50/60Hz		

Model Number	OA254LFGS111TXC	OA254LFGS221TXC
Nominal Voltage	115 VAC	230 VAC
Voltage Range	80 ~ 130	160 ~ 260
Rated Power	75	75
Rated Speed (RPM)	2700	2700
Airflow (CFM)	850	850
Noise Level (dB)	69	69
Max. Static Pressure	78" H <sub>2</sub> O	78" H <sub>2</sub> O



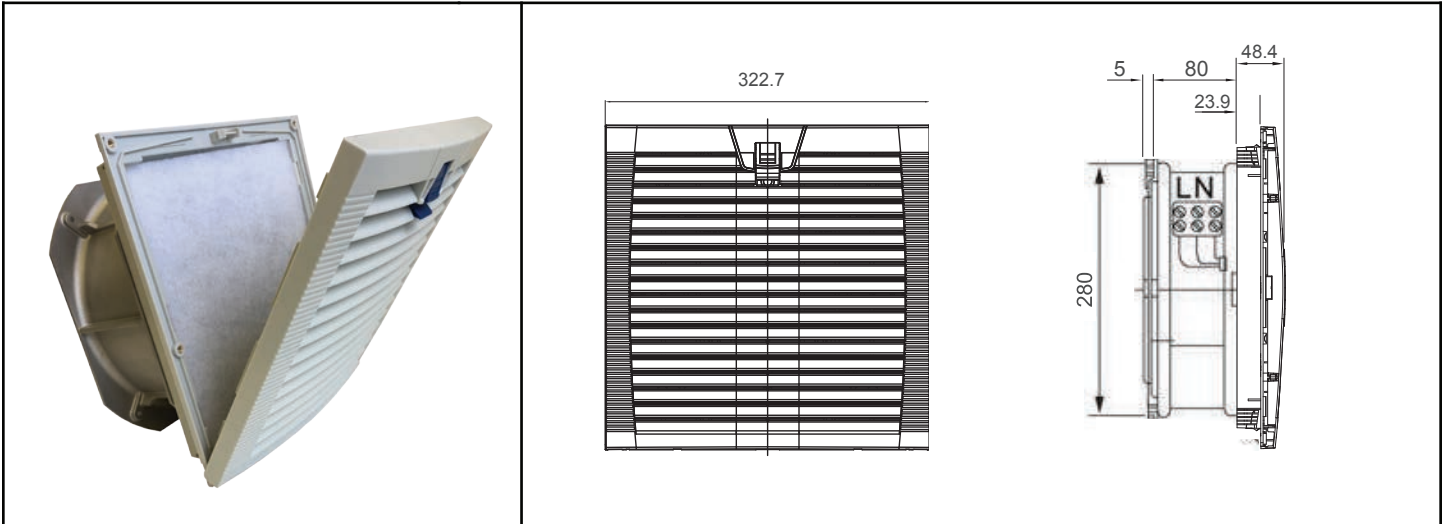
PANEL CUTOUT

\* Note: Airflow data is for the fan without the louvered filter attached. Calculations indicate that up to a 40% reduction (~ 510 CFM) in fan airflow is possible with LFGS unit installed.

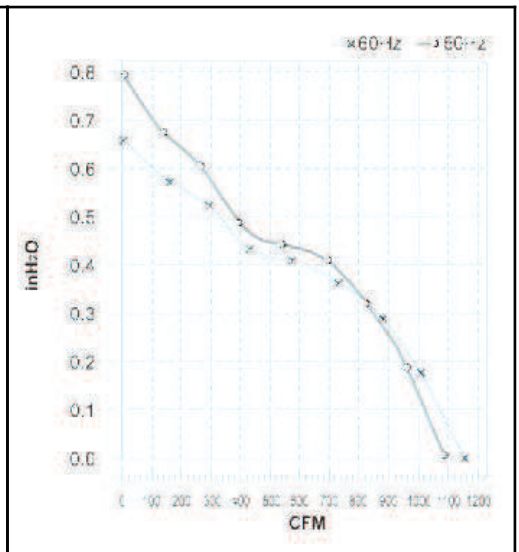
# OA280LFGH Series with Hinged Guard



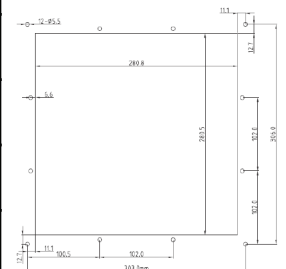
## Louvered Filter Fan Kit with Fan Installed



Frame	Diecast Aluminum	<u>Operating Temperature</u> Ball Bearing -40C ~ +60C <u>Life Expectancy</u> >40,000 hours (L10, 40C)  <u>Environmental:</u> Rated IP55 Fan Guard Frame: ABS Resin UL94V-0 with UV protection Color: Gray (standard) or Black (special order) Filter Mesh: Nylon fiber Synthetic Resin
Impeller	Metal	
Connection	Terminal Block, 18AWG	
Motor	Capacitor drive, thermally protected	
Bearing System	Dual Ball	
Insulation	Class F	
Dielectric Strength	1 min at 1500 VAC, 50/60Hz	



Model Number	OA280LFGH111T	OA280LFGH221T
Nominal Voltage	115 VAC	230 VAC
Voltage Range	100 ~ 125VAC	200~ 240VAC
Rated Power	112 / 148 W	119 / 158 W
Rated Speed (RPM)	2550 / 2700	2550 / 2700
Airflow (CFM)	1090 / 1130*	1090 / 1130*
Noise Level (dB)	68 / 70	68 / 70
Max. Static Pressure	0.78" / 0.65" H <sub>2</sub> O	0.78" / 0.65" H <sub>2</sub> O



PANEL CUTOUT

\* Note: Airflow data is for the fan without the louvered filter attached. Calculations indicate that up to a 40% reduction (~ 654 / ~ 678 CFM) in fan airflow is possible with LFGH unit installed.

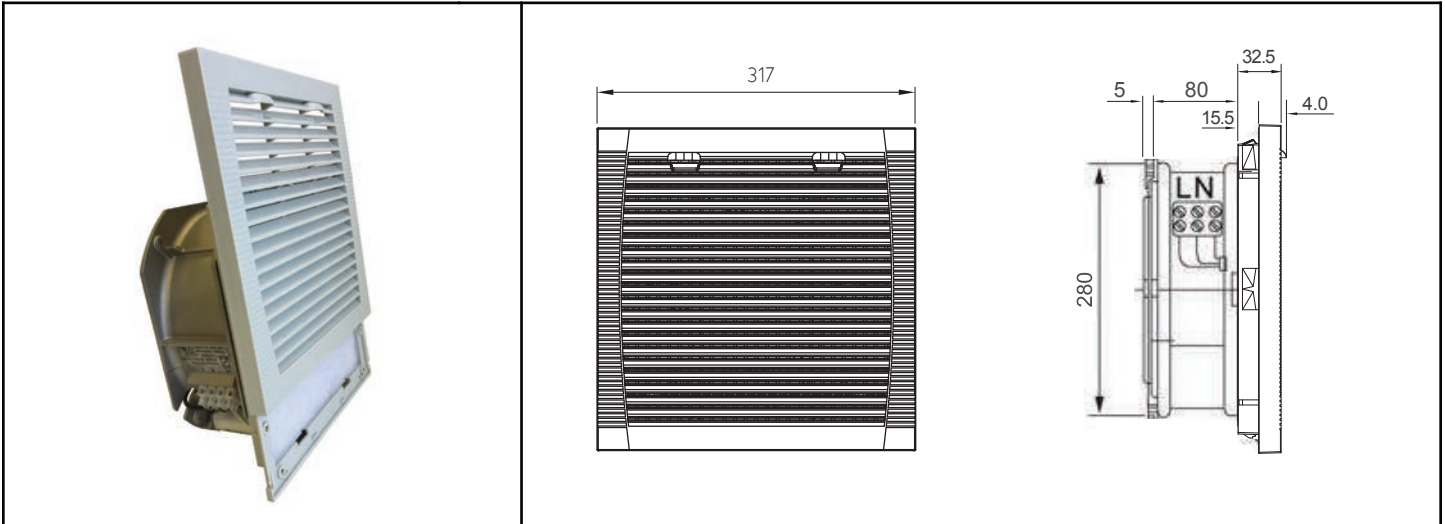


# OA280LFGS Series

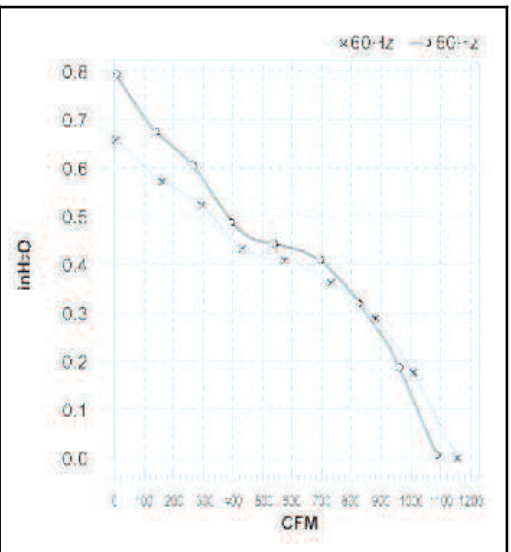
with Slide Guard



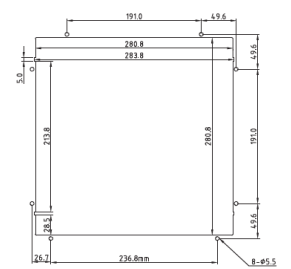
## Louvered Filter Fan Kit with Fan Installed



Frame	Diecast Aluminum	<b>Operating Temperature</b> Ball Bearing -40C ~ +60C <b>Life Expectancy</b> >40,000 hours (L10, 40C)  <b>Environmental:</b> Rated IP55 Fan Rated IP54 Guard Guard Frame: ABS Resin UL94V-0 with UV protection Color: Gray (standard) or Black (special order) Filter Mesh: Nylon fiber Synthetic Resin
Impeller	Metal	
Connection	Terminal Block, 18AWG	
Motor	Capacitor drive, thermally protected	
Bearing System	Dual Ball	
Insulation	Class F	
Dielectric Strength	1 min at 1500 VAC, 50/60Hz	



Model Number	OA280LFGS111T	OA280LFGS221T
Nominal Voltage	115 VAC	230 VAC
Voltage Range	100 ~ 125VAC	200~ 240VAC
Rated Power	112 / 148 W	119 / 158 W
Rated Speed (RPM)	2550 / 2700	2550 / 2700
Airflow (CFM)	1090 / 1130*	1090 / 1130*
Noise Level (dB)	68 / 70	68 / 70
Max. Static Pressure	0.78" / 0.65" H <sub>2</sub> O	0.78" / 0.65" H <sub>2</sub> O



PANEL CUTOUT

\* Note: Airflow data is for the fan without the louvered filter attached. Calculations indicate that up to a 40% reduction (~ 654 / ~ 678 CFM) in fan airflow is possible with LFGS unit installed.